

Please go to www. quozel. com for product cleaning tips. Go to the **Care + Maintenance** selection.

Tools Required: Flathead screwdriver, Phillips screwdriver, pliers, wire cutters, wire strippers, electrical tape, safety glasses.

Light Source: (3) A19 Medium Base Bulbs 100W Maximum.

Estimated Assembly Time: 20-30 minutes

Preparation: Identify and inspect all parts before beginning installation. Check package content list and diagrams below to be sure all parts are present. If any parts are missing or damaged, do not attempt to assemble, install, or operate the fixture. Contact customer service for replacement parts.

⚠ Warnings and Cautions

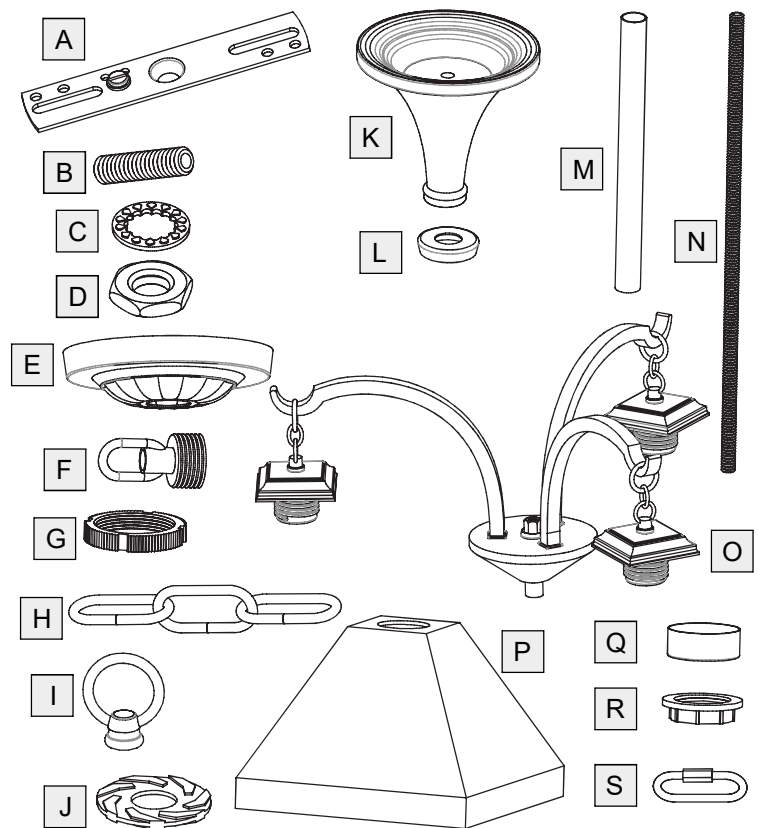
Turn off electricity at circuit breaker or main fuse box before installation. Consult a licensed electrician if in doubt.

These instructions are provided for your safety. It is very important you read them completely before installing the fixture. We strongly recommend that a licensed, professional electrician perform the installation.

Disconnect fixture from power source before replacing bulbs. Make sure bulbs are given sufficient time to cool before removal.

Package Contents

Part	Description	Quantity
A	Crossbar	1 pc.
B	Nipple	1 pc.
C	Lock Washer	3 pcs.
D	Hex Nut	4 pcs.
E	Ceiling Canopy	1 pc.
F	Canopy Chain Loop	1 pc.
G	Canopy Lock Ring	1 pc.
H	Fixture Chain	1 pc.
I	Fixture Loop	1 pc.
J	Big Lock Washer	1 pc.
K	Poly Column	1 pc.
L	Check Ring	1 pc.
M	Tube	1 pc.
N	Long Nipple	1 pc.
O	Fixture Body	1 pc.
P	Shade	3 pcs.
Q	Steel Collar	3 pcs.
R	Socket Collar	3 pcs.
S	Quick Link	2 pcs.

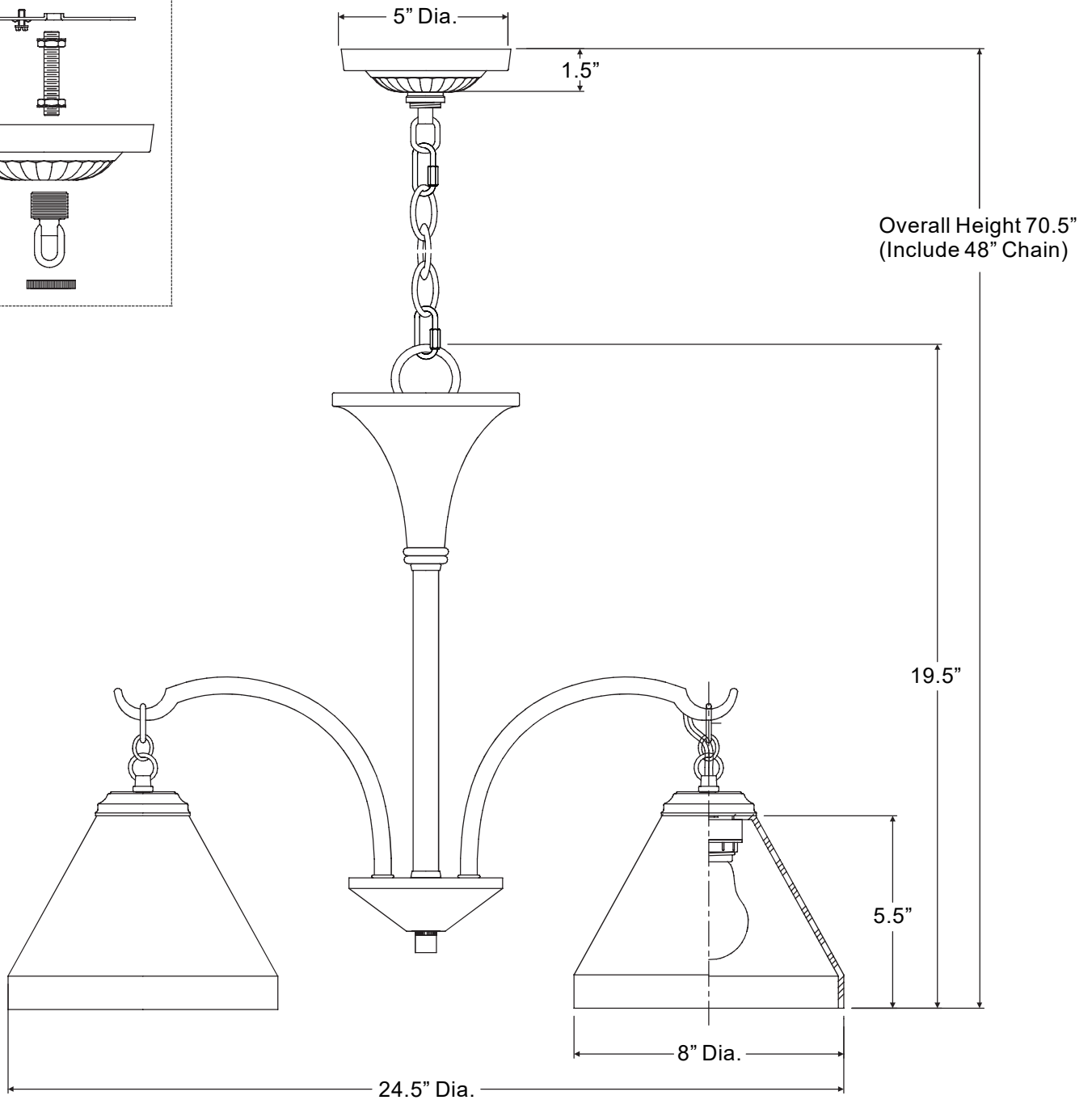
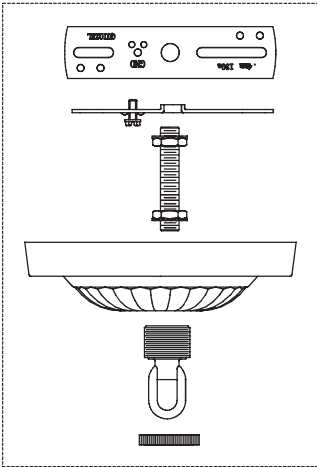


Thank you for purchasing a Quozel product.

Need assistance with parts or assembly? Call Quozel customer service at 1-800-645-3184 or visit us on-line at www. quozel. com

TFST5103VB

FINISH: VINTAGE BRONZE



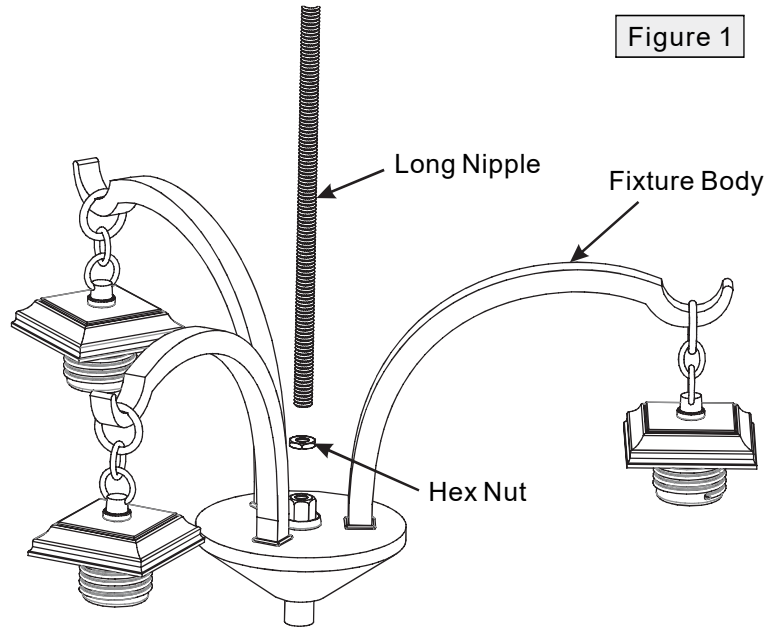
NOTE: ALL DIMENSIONS ARE ROUNDED UP TO THE NEAREST 1/4"

Thank you for purchasing a Quoizel product.
Need assistance with parts or assembly? Call Quoizel customer service at 1-800-645-3184
or visit us on-line at www.quoise.com

Step 1 - Attach Long Nipple to Fixture Body

Figure 1

A. Thread Hex Nut (D) to the Long Nipple (N), then thread Long Nipple (N) with Hex Nut (D) on the Fixture Body (O). Hand tighten until snug.



Step 2 - Attach Tube, Check Ring, Poly Column to Fixture Body

A. Place Tube (M), Check Ring (L), Poly Column (K), Big Lock Washer (J) and Small Lock Washer (C) onto the Long Nipple (N). Secure by threading Hex Nut (D) onto the Long Nipple (N). Hand tighten until snug.

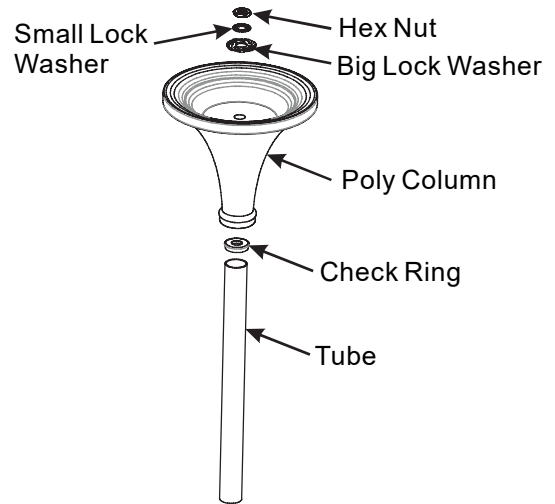
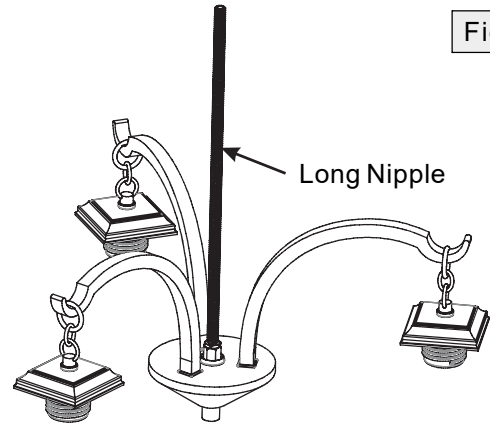


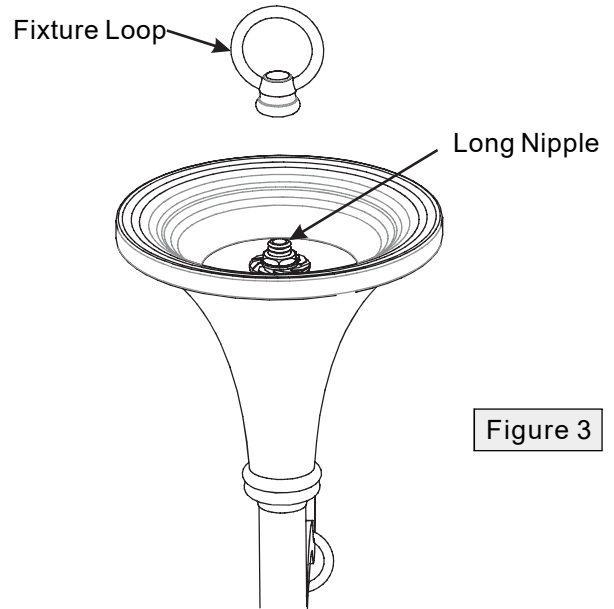
Figure 2



Thank you for purchasing a Quozel product.
Need assistance with parts or assembly? Call Quozel customer service at 1-800-645-3184
or visit us on-line at www. quozel. com

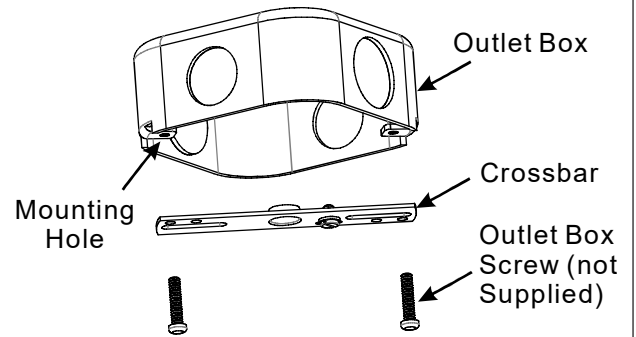
Step 3 - Attach Fixture Loop

- A. Thread Fixture Loop (J) to the Long Nipple (N) on the Fixture Body (O). Hand tighten until snug.



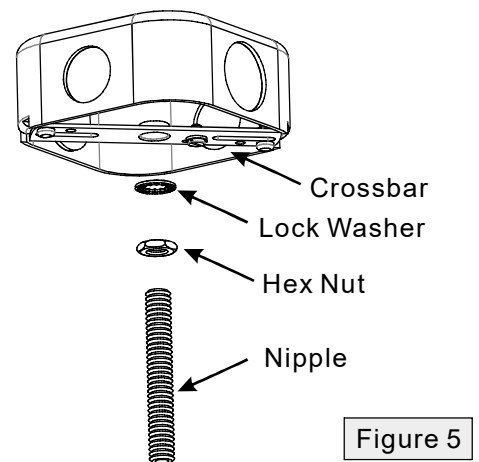
STEP 4 – Attach Crossbar to Outlet Box

- A. Secure the Crossbar (A) to the outlet box with outlet box screws (not supplied). Tighten until snug.



STEP 5 – Attach Nipple to Crossbar

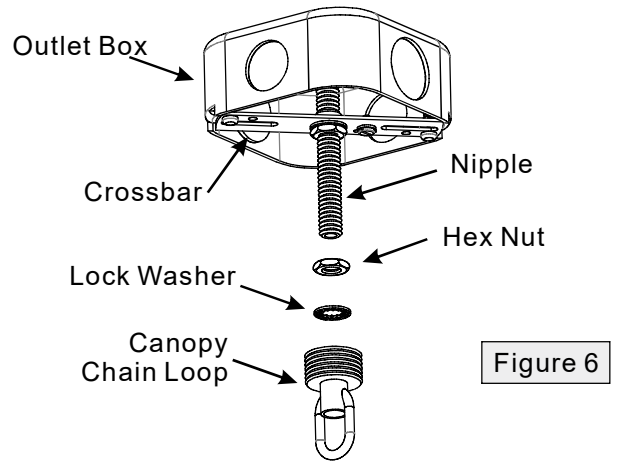
- A. Thread one Hex Nut (D) onto the top end of the Nipple (B).
B. Place one Lock Washer (C) over the top end of the Nipple (B) and then thread the Nipple (B) into the center lock hole of the Crossbar (A).
C. Using pliers, thread the hex Nut (D) against the Crossbar (A) and hand tighten until snug.



Thank you for purchasing a Quoizel product.
Need assistance with parts or assembly? Call Quoizel customer service at 1-800-645-3184
or visit us on-line at www. quozel. com

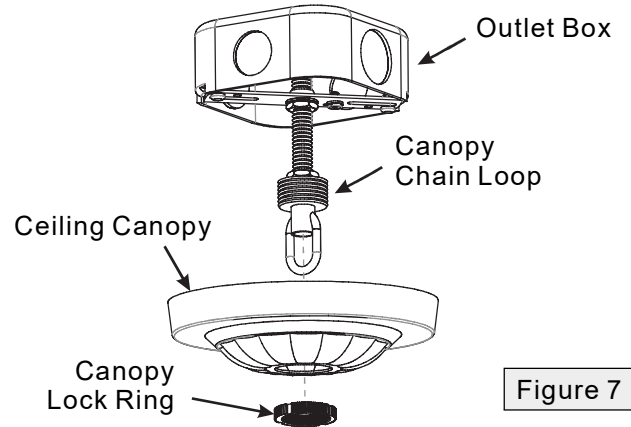
STEP 6 – Attach Canopy Chain Loop to Nipple

- A. Thread another Hex Nut (D) onto the end of the Nipple (B).
- B. Place the Lock Washer (C) over the end of the Nipple (B) and then thread the Canopy Chain Loop (F) onto the end of the Nipple (B).
- C. Using pliers, thread the Hex Nut (D) against the Canopy Chain Loop (F) and hand tighten until snug.



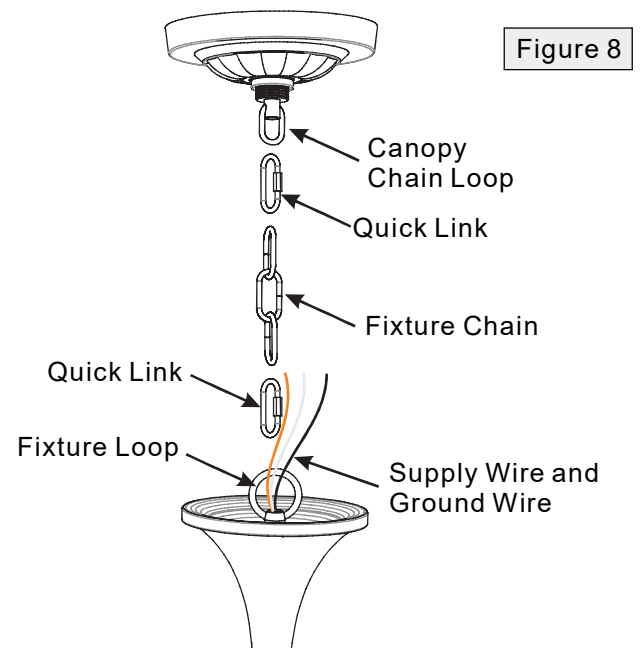
STEP 7 – Assemble Ceiling Canopy

- A. Push the Ceiling Canopy (E) upward over the Outlet Box. Thread the Canopy Lock Ring (G) onto the Canopy Chain Loop (F) and tighten until snug to secure the Ceiling Canopy (E).



STEP 8 – Attach Fixture Chain to Canopy Chain Loop and Fixture Loop

- A. Adjust the Fixture Chain (H) to your desired length by removing the links if needed. You may need to use plier to open the chain links. If so, put a cloth over the chain to protect the finish from the pliers.
- B. Attach one end of the Fixture Chain (H) onto the Canopy Chain Loop (F) with one Quick Link (S) and then attach the other end of the Fixture Chain (H) onto the Fixture Loop (I) with another Quick Link (S).



Thank you for purchasing a Quoizel product.
Need assistance with parts or assembly? Call Quoizel customer service at 1-800-645-3184
or visit us on-line at www.quoise.com

STEP 9 – Pass Supply Wires through Fixture Chain

- A. Pull the Supply Wires and Ground Wire up through the Fixture Chain (H) alternating links. Push the wires up through the Canopy Chain Loop (F) into the outlet box.

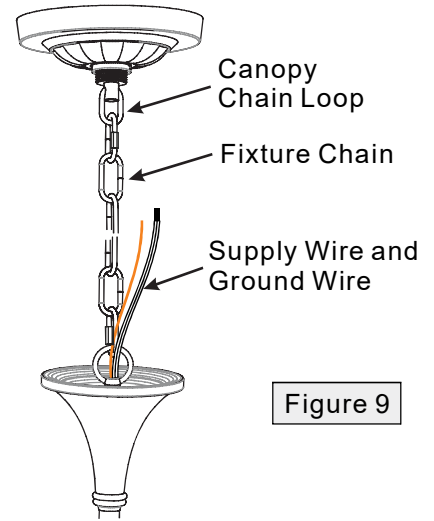


Figure 9

STEP 10 – Make Wire Connections

- A. Un-thread the Canopy Lock ring (G) and slide Canopy Lock Ring (G) and Ceiling Canopy (E) down the Fixture Chain (H).
 B. Push all slack fixture wire through Canopy Chain Loop (F) into Outlet Box. Trim excess fixture wire leaving a minimum of 6 inch hanging out of the Outlet Box.
 C. Use standard wire connectors (not included) to make all wire connections. Twist connectors until wires are tightly joined together. Wrap each connection with approved electrical tape and carefully stuff all the connected wires into outlet box.

Note: If the electrical wire is going to be cut shorter than provided you will need to identify the "L" line wire and the "N" neutral wire before you cut the excess wire off. One is labeled N and the other labeled L. To do this separate the "L" line wire and the "N" neutral wire as far as you need to. Re-label the wire near where you want to make the cut. Be sure to mark the wire on the side of the fixture and not on the excess wire being cut and removed.

- D. Re-attach the Ceiling Canopy (E) as shown in Step 7.

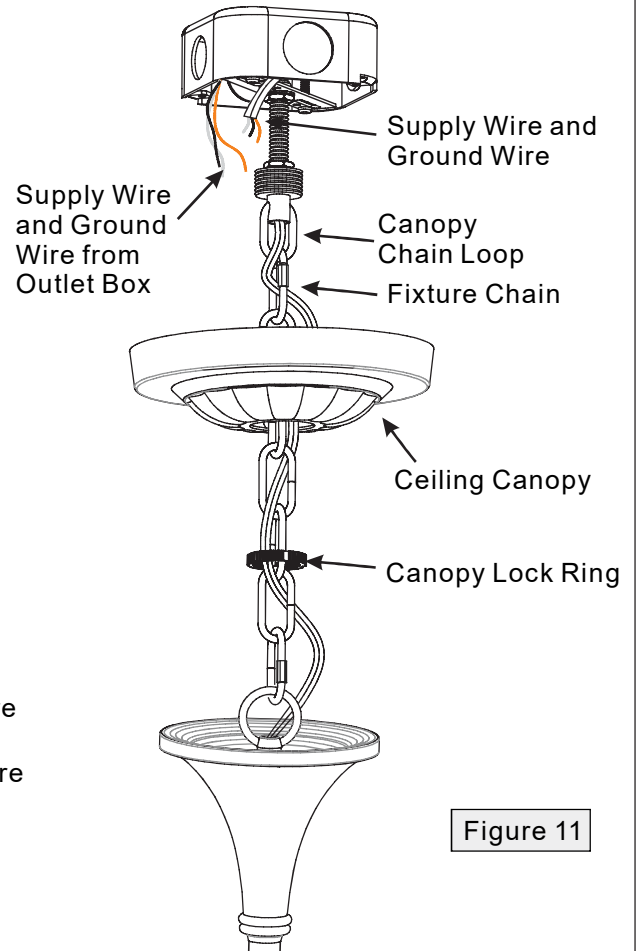


Figure 11

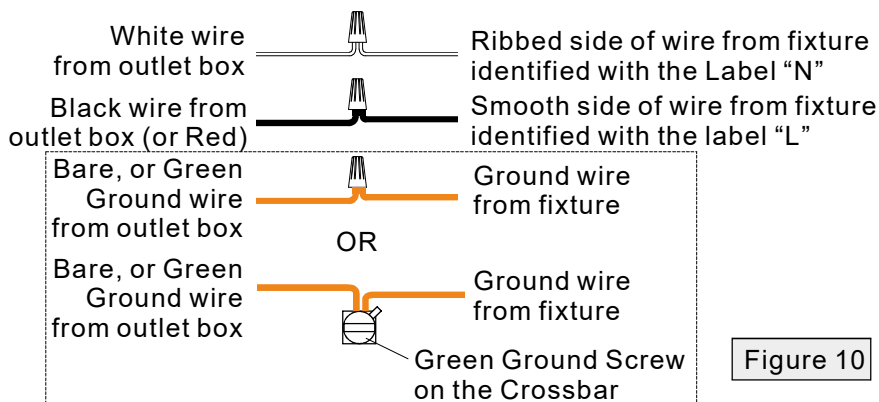


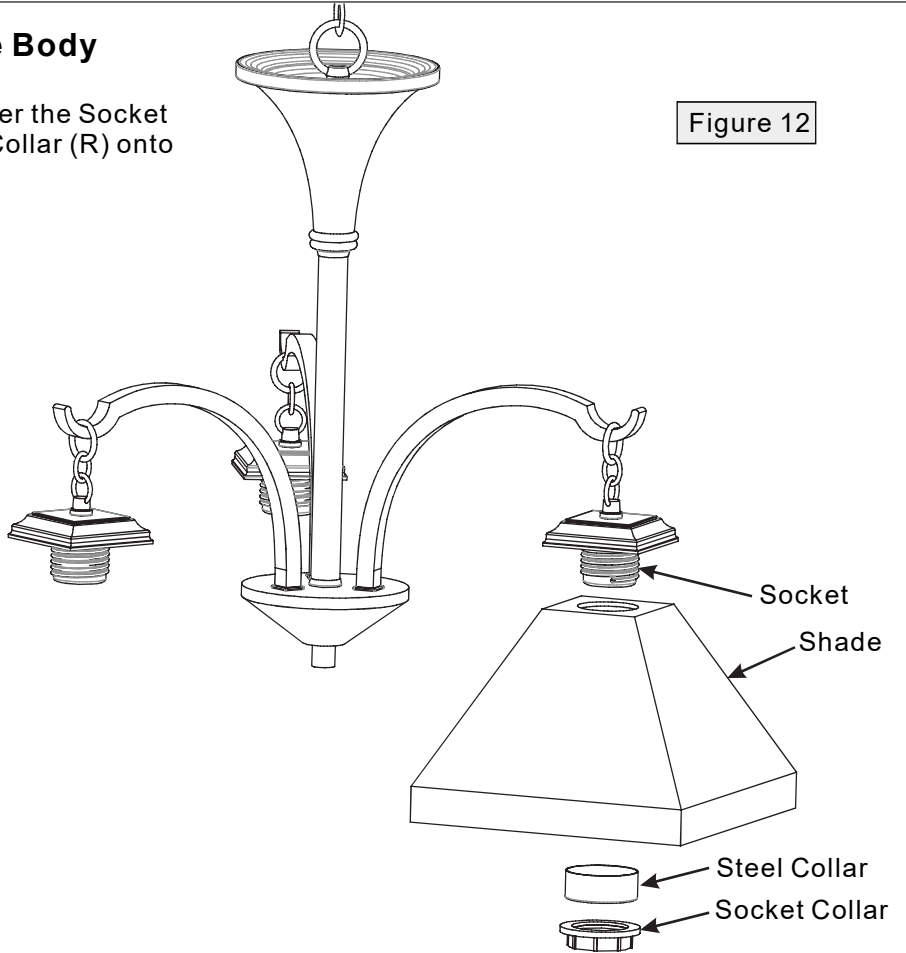
Figure 10

Thank you for purchasing a Quoizel product.
Need assistance with parts or assembly? Call Quoizel customer service at 1-800-645-3184
or visit us on-line at www. quozel. com

STEP 11 – Install Shade to Fixture Body

A. Place Shade (P) and Steel Collar (Q) over the Socket as shown. Secure by threading Socket Collar (R) onto the Socket. Hand tighten until snug.

Figure 12

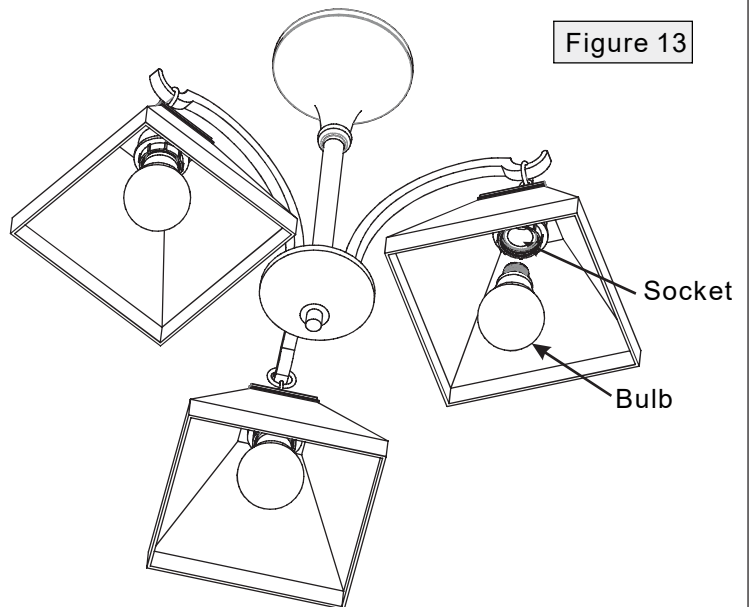


STEP 12 – Install Bulbs

A. Insert bulbs onto sockets and screw snugly into place.

Your lamp is now assembled and ready to use. Enjoy!

Figure 13



Thank you for purchasing a Quoizel product.
Need assistance with parts or assembly? Call Quoizel customer service at 1-800-645-3184
or visit us on-line at www. quozel. com