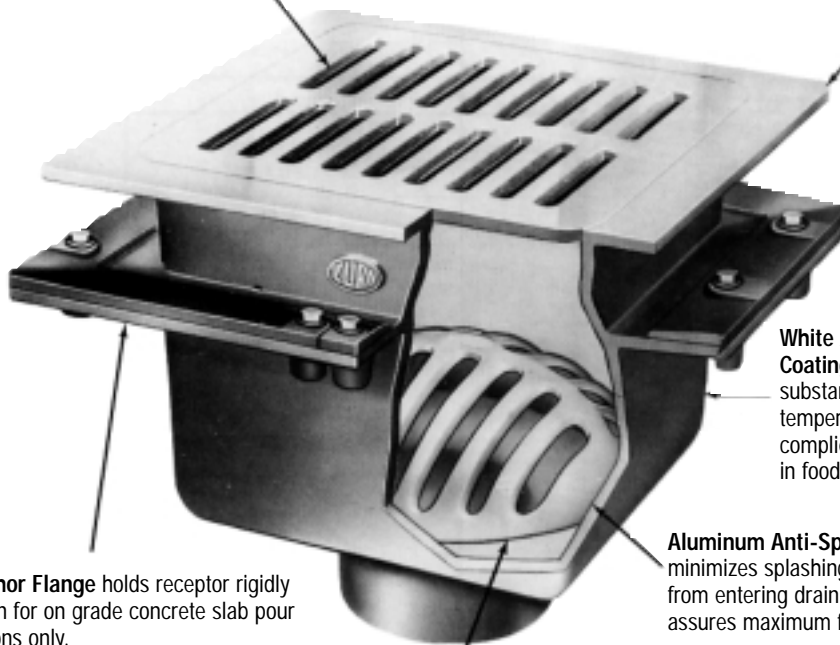


## GENERAL PRODUCT INFORMATION

Zurn Sani-Flor Receptors are engineered for indirect waste applications in food preparation and hospital areas. Features common on most models are illustrated below.

**Zurn Nickel Bronze or Acid-Resisting Porcelain Enamel Coated Grate** is available in a variety of sizes, shapes and top openings to accommodate all types of applications designed to receive indirect waste piping.

**Smooth, round corners** and overall Sani-Flor design eliminates bacteria catching surfaces and crevices ... and makes possible easy cleaning for the ultimate in cleanliness. Round, square, or rectangular shapes available.



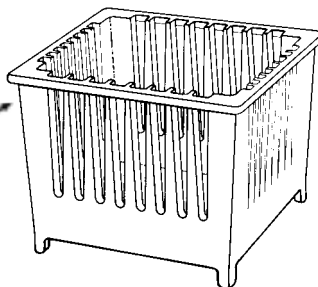
**White Acid-Resisting Porcelain Enamel Coating** is a vitreous and glassy inorganic substance bonded to metal by fusion at a temperature above 800°F. A.R.E. coating complies with strict sanitation standards in food preparation areas.

**Aluminum Anti-Splash Interior Dome Strainer** minimizes splashing, prevents peelings and scraps from entering drain line, yet the large open area assures maximum flow and prevents clogging.

**(-K) Anchor Flange** holds receptor rigidly in position for on grade concrete slab pour applications only.

**(-KC) Anchor Flange with Seepage Holes and Clamp Collar** is used for above grade, two (2) concrete slab pours, with water-proofing membrane clamped by clamping collar between pours.

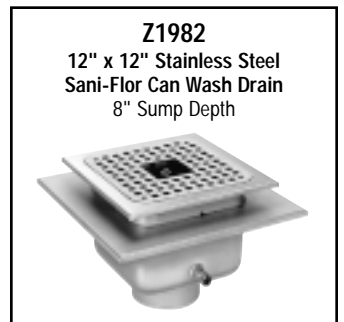
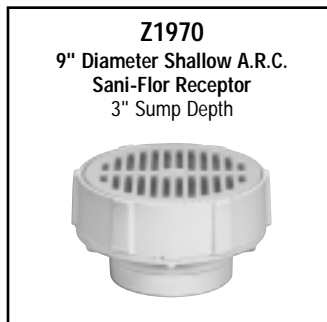
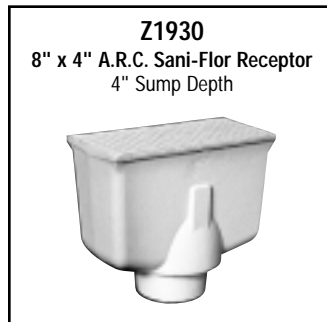
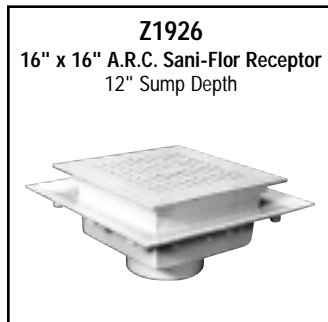
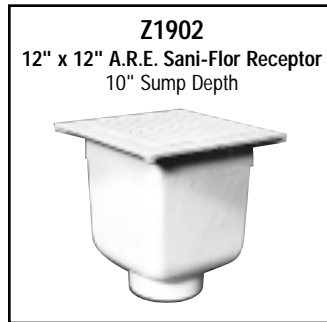
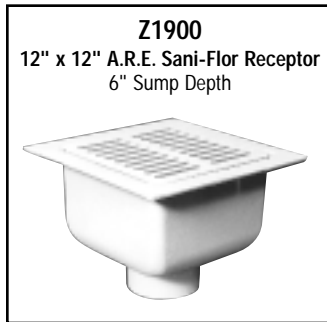
**Slotted Sediment Bucket** can be seated in the Sani-Flor Body in place of the dome strainer to intercept and retain solids normally associated around food preparatory areas. Buckets available in various finishes.



## PRODUCT COMPLIANCE

Zurn Receptors are constructed of high quality materials and, in general, are designed to meet the requirements of ANSI Specification A112.19.1M and ANSI 112.21.1M. For an explanation of materials used, see Page 9.

## PICTORIAL INDEX



## MATERIAL SELECTIONS

**A.R.C. Acid Resisting Epoxy Coating** is a baked-on powder coating which produces a smooth, hard, high gloss finish. This epoxy based coating offers high impact resistance and excellent life expectancy in all drainage applications.

**A.R.E. Acid Resisting Porcelain Enamel** is a substantially vitreous or glassy inorganic coating bonded to metal by fusion at a high temperature above 800°F. This coating offers excellent acid, abrasion, and wear resistance. The coating is extremely hard and is the ultimate for sanitation in drainage applications.

## OPTIONS and VARIATIONS

Zurn Sani-Flor Receptor options are specified as a PREFIX and/or SUFFIX letter or number added to the series designation. Each floor sink in the catalog is listed with its individual Prefix/Suffix variation.

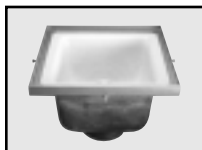
### PREFIXES

- Z** Cast iron body with white acid resisting porcelain enamel (A.R.E.) interior and top.
- ZN** Cast iron body with white acid resisting porcelain enamel (A.R.E.) interior and nickel bronze top.

### SUFFIXES

- C** Clamp Collar
- DX** Dex-O-Tex Flange
- HD** Nickel Bronze Frame with Extra-Heavy-Duty Stainless Steel Grate  
Specify in areas where working load exceeds 2000 Lbs. or where extreme chemical resistance properties are required.
- HP** Heel-Proof Grate
- K** Anchor Flange
- KC** Anchor Flange with Seepage Holes and Clamp Collar
- LD** Less Internal Bottom Dome Strainer
- LS** Less Secondary Strainer
- P** 1/2" Threaded Trap Primer Connection (See Z1023)
- S** Secondary Strainer
- T** Square Nickel Bronze Top
- TC** Neo-Loc Test Cap Gasket  
2"-4" NL Bottom Outlet Only
- WB** Water Supply Control Box

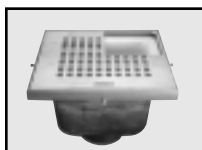
**-1 Less Grate**  
Receives multiple indirect wastes from either condensate lines, air conditioners or other indirect drainage equipment specifically located in non-traffic areas.



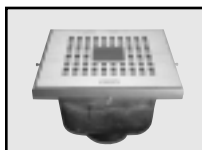
**-2 Half Grate**  
Receives indirect waste as with Suffix -1 but with 1/2 grate opening to easily accept waste from a single direction while providing a finished floor drain top on the opposite side.



**-3 Three-Quarter Grate**  
Receives indirect waste as with Suffix -1 but with 3/4 grate and 1/4 opening to easily accept waste from a single source.

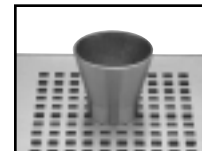


**-4 Full Grate with Center Opening**  
Receives indirect waste as with Suffix -1 but with square center opening to accept waste from multiple directions.



**-5 Grate with 4" Diameter x 3-3/4" High Funnel**

**-6 Grate with 6" Diameter x 6" High Funnel**  
Receives indirect waste from single pipe using round funnel which is centrally located on grate. Prevents splashing of waste around entire receptor. Can be relocated at job site to meet project requirements.

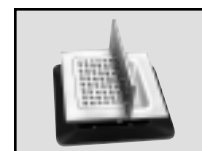


**-7 Grate with 6-3/4" x 3" x 1" High Oval Funnel**

**-8 Grate with 8-7/8" x 3-5/8" x 3-3/4" High Oval Funnel**  
Receives indirect waste from a series of pipe discharges using oval funnel which is centrally located on grate. Can be relocated at job site to meet project requirements.

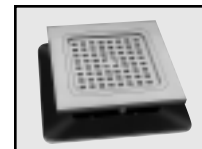


**-9 Angle Frame and Grate**  
Used in food handling facilities incorporating a two-fold purpose. An Angle drain provides a sanitary floor drain in an open service area where open half of grate is hidden inside cabinetry to receive an indirect waste discharge. Two-piece construction further enhances the ultimate in sanitation standards.



**-11 Vandal-Proof Secured Grate**  
Prevents removal of grate by unauthorized individuals.

**-12 Depressed Aluminum Grate**  
Specified for areas in restaurants, food markets, taverns, and many non-traffic areas. Grate recess accumulates food particles rather than let them fall into receptor.



**-15 Solid Loose Set Cover**  
Specified when receptor is to be inactive a majority of the time.

**-16 Half Solid Loose Set Cover**  
Same as Suffix -15, but with 1/2 cover open to accept indirect waste.

**-17 Three-Quarter Solid Loose Set Cover**  
Same as Suffix -16 but with 3/4 cover inactive.

**-18 Solid Loose Set Cover with Square Center Opening**  
Same as Suffix -16 but with center opening and balance of cover inactive.

**-19 Full Hinged Grate**  
Specified in light traffic areas where grate removal is prohibited for any length of time.

**-23 Aluminum Sediment Bucket**  
Specified when interception and retention of solids is necessary. Used in food preparation areas.

**-25 White Acid Resisting Sediment Bucket**  
Same as Suffix -23 but with acid resisting finish.

**-31 Stainless Mesh Liner for Sediment Bucket**  
Specified when retention of fine particles is required. Provided with screen having 331 holes per square inch.

**-32 Aluminum Dome Strainer**

**-33 White Acid Resisting Anti-Splash Dome Strainer**  
Use in areas where harsh chemicals or substances enter receptor.

**-34 Nickel Bronze Anti-Splash Dome Strainer**

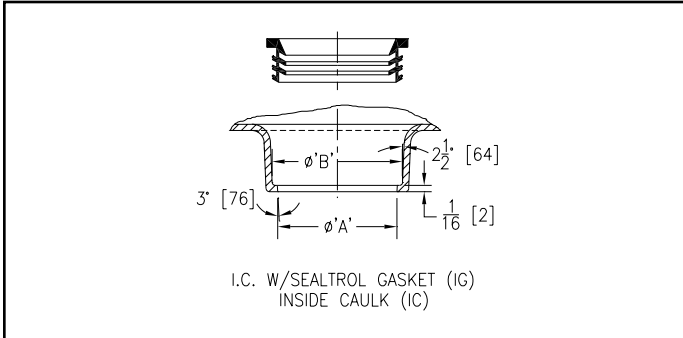
## ZURN OUTLET PIPE CONNECTIONS

### INSIDE CAULK (IC)

Often specified where drain body is positioned on pipe, bottom of outlet is sealed with oakum and connection is then completed with melted lead.

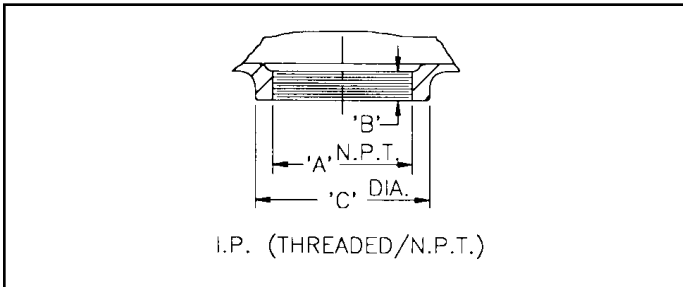
### INSIDE GASKET (IG)

The IG connections utilize an inside caulk drain body and a Zurn "Sealtrol" gasket. **This connection is only recommended for basement or ground floor applications.**



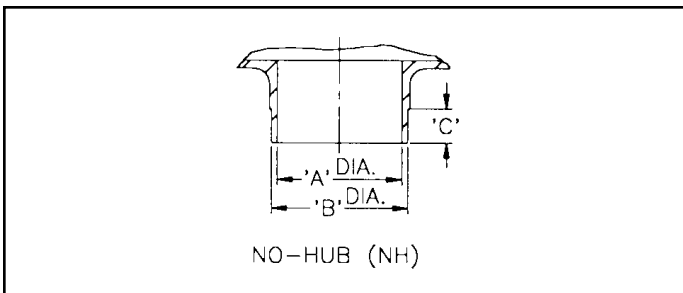
### IRON PIPE (IP)

Zurn Iron Pipe Threaded connection is an old industry standard. The female (NPT) threaded outlet is often specified on industrial and institutional applications.



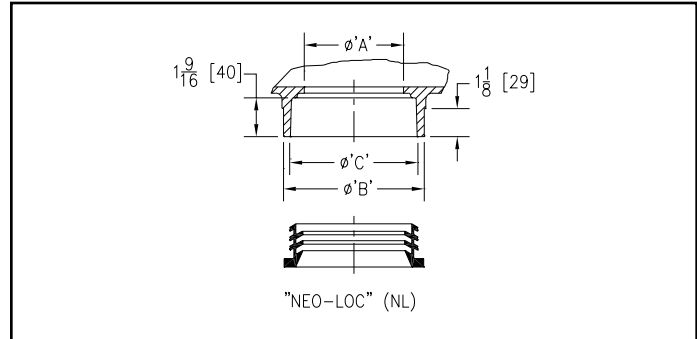
### NO-HUB (NH)

The most widely used connection. A No-Hub connection is achieved by butting No-Hub soil pipe or plastic pipe to the bottom of drain and securing it with a NH joint clamp. (Clamp furnished by others.)



### NEO-LOC (NL)

Zurn Neo-Loc is a unique labor saving compression gasketed connection designed to simply push on the stub end of the pipe. The Neo-Loc drain body and gasket can be utilized with plastic, steel, No-Hub and service weight soil pipe. A unique pipe stop cast in each Zurn Neo-Loc drain body ensures a proper fit.



**Special Note:** Zurn "Neo-Loc" and "Sealtrol" gaskets are designed for use exclusively with Zurn drainage products. They are not sold separately and all warranties either expressed or implied would be forfeited if used in other than a Zurn drainage product.

OUTLETS	Dimensions in Inches [mm]		
	'A'	'B'	'C'
2" [51] No-Hub Outlet	2 [51]	2-3/8 [60]	1-1/8 [29]
3" [76] No-Hub Outlet	3 [76]	3-3/8 [86]	1-1/8 [29]
4" [102] No-Hub Outlet	4 [102]	4-3/8 [111]	1-1/8 [29]
5" [127] No-Hub Outlet	4-15/16 [126]	5-5/16 [135]	1-1/2 [38]
6" [152] No-Hub Outlet	5-15/16 [151]	6-5/16 [160]	1-1/2 [38]
8" [203] No-Hub Outlet	7-15/16 [202]	8-3/8 [213]	2 [51]
10" [254] No-Hub Outlet	10 [254]	10-9/16 [268]	2 [51]
12" [305] No-Hub Outlet	12 [305]	12-9/16 [319]	2 [51]
2" [51] Neo-Loc Outlet	2 [51]	3-3/8 [86]	3 [76]
3" [76] Neo-Loc Outlet	3 [76]	4-3/8 [111]	4 [102]
4" [102] Neo-Loc Outlet	4 [102]	5-1/2 [140]	5-1/8 [130]
2" [51] I.C. Outlet	2-5/8 [67]	3-1/16 [78]	-
3" [76] I.C. Outlet	3-3/4 [95]	4-3/16 [106]	-
4" [102] I.C. Outlet	4-3/4 [121]	5-3/16 [132]	-
5" [127] I.C. Outlet	5-3/4 [146]	6-3/16 [157]	-
6" [152] I.C. Outlet	6-3/4 [172]	7-3/16 [183]	-
8" [203] I.C. Outlet	8-7/8 [226]	9-1/2 [241]	-
2" [51] N.P.T. Outlet	2 [51]	9/16 [14]	3-1/4 [83]
3" [76] N.P.T. Outlet	3 [76]	3/4 [19]	4-1/2 [114]
4" [102] N.P.T. Outlet	4 [102]	15/16 [24]	5-5/8 [143]
5" [127] N.P.T. Outlet	5 [127]	15/16 [24]	6-11/16 [170]
6" [152] N.P.T. Outlet	6 [152]	15/16 [24]	7-3/4 [197]
8" [203] N.P.T. Outlet	8 [203]	1-1/8 [29]	9-3/8 [238]
2" [51] NL w/-TC	2 [51]	3-3/8 [86]	3 [76]
3" [76] NL w/-TC	3 [76]	4-3/8 [111]	4 [102]
4" [102] NL w/-TC	4 [102]	5-1/2 [140]	5-1/8 [130]