

ASSEMBLY INSTRUCTION

DAYBED WITH TRUNDLE

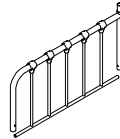
PART LIST:



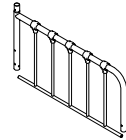
A: Arm Post
2PCS



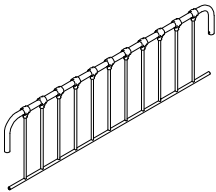
B: Arm Post
2PCS



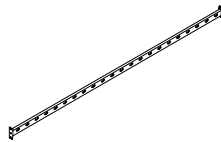
C: LSF Arm
1PC



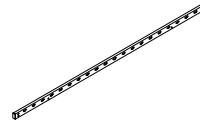
D: RSF Arm
1PC



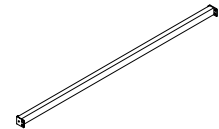
E: Back Frame
1PC



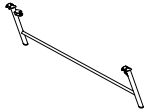
F: Rail
2PCS



G: Trundle Long Rail
2PCS



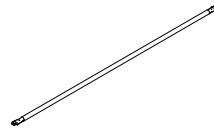
H: Trundle Short Rail
2PCS



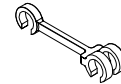
I: Legs
2PCS



J: Wheel
4PCS



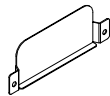
K: Slat
42PCS
(Daybed: 22pcs, Trundle: 20pcs)



L: Spacer
40PCS
(Daybed: 21pcs, Trundle: 19pcs)

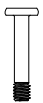


M: Slat Connector
84PCS



N: Bracket
4PCS

HARDWARE LIST:



1: Bolt 5/16*40mm
X 4pcs



2: Bolt 1/4*55mm
X 6pcs



3: Bolt 1/4*19mm
X 22pcs



4: Bolt 5/16*19mm
X 8pcs



5: Bolt 5/16*34mm
X 4pcs



6: Nut 5/16
X 8pcs



7: Allen Key
X 1pc

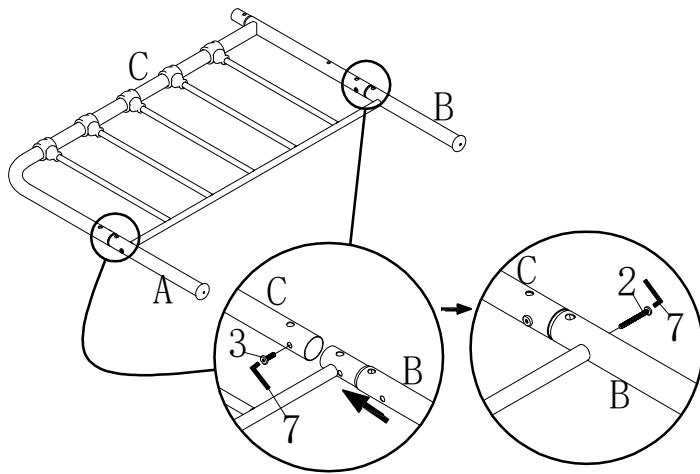


8: Wrench
X 1pc

Note: Please do not tighten all bolts until the bed is assembled completely.

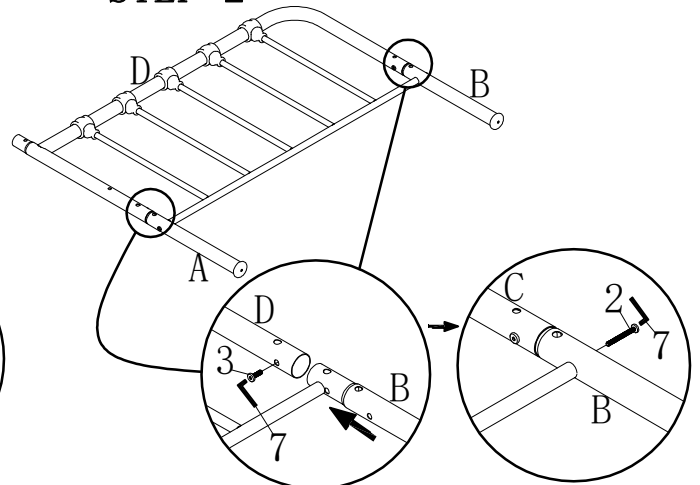
DAYBED ASSEMBLY

STEP 1



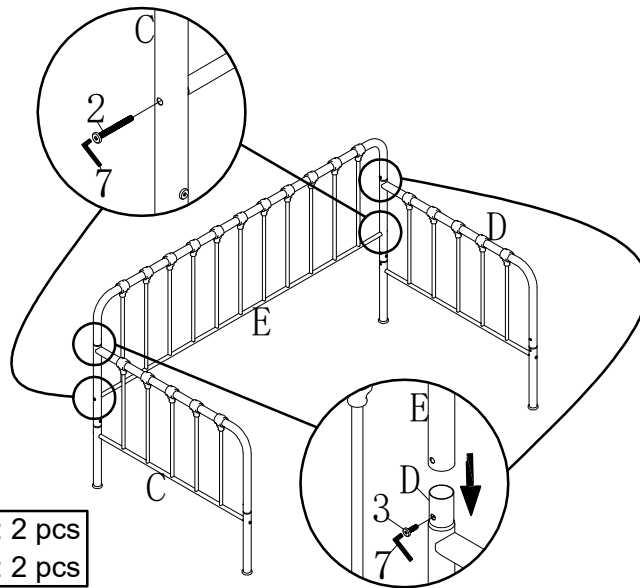
Hardware 2: 2 pcs
Hardware 3: 2 pcs

STEP 2



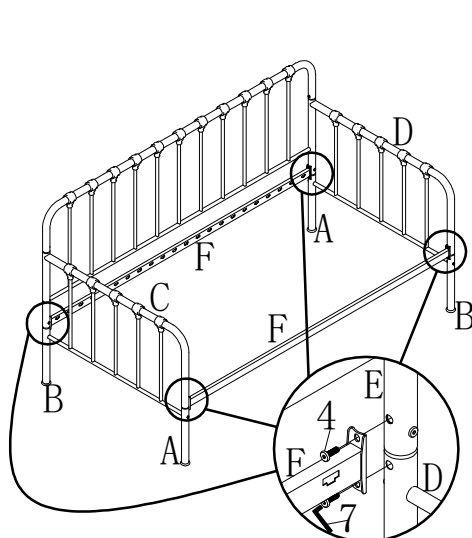
Hardware 2: 2 pcs
Hardware 3: 2 pcs

STEP 3



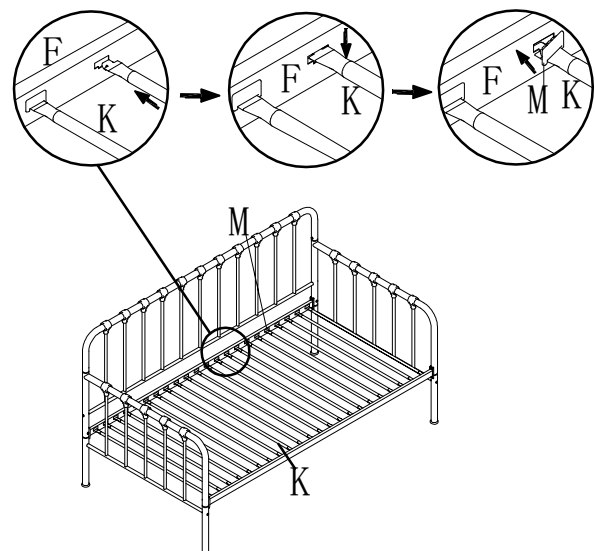
Hardware 2: 2 pcs
Hardware 3: 2 pcs

STEP 4



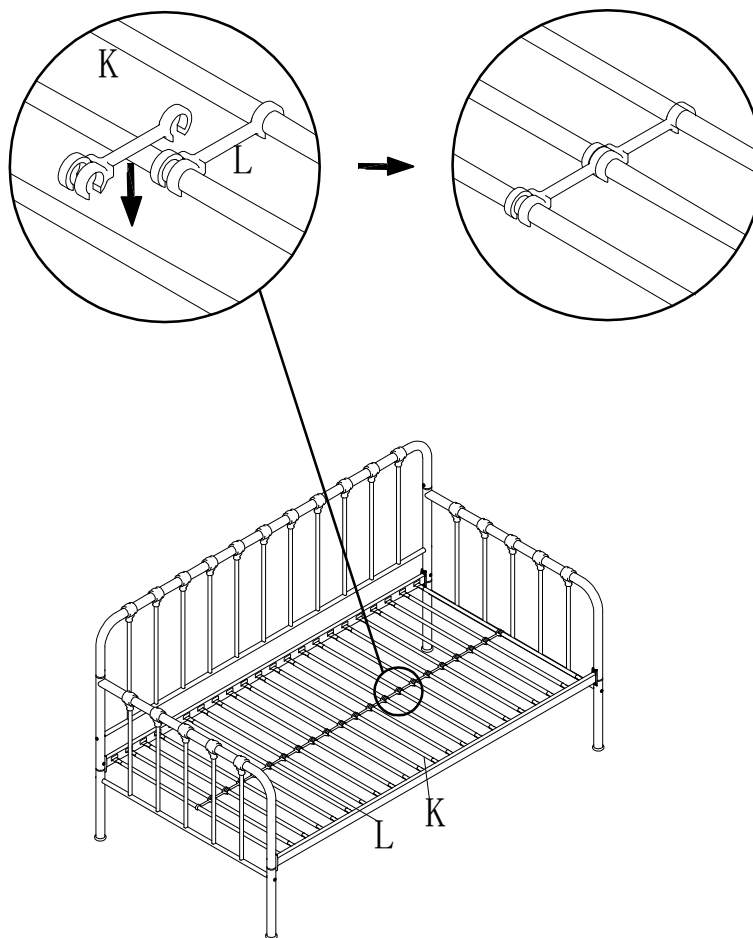
Hardware 4: 8 pcs

STEP 5

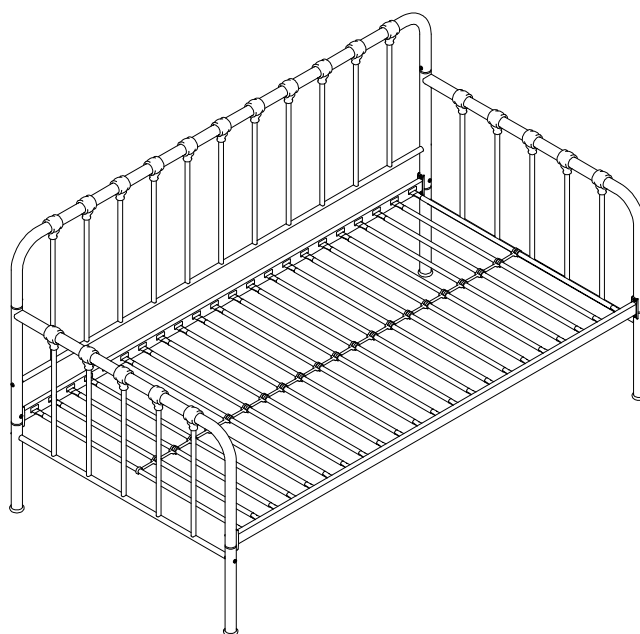


Note: Please do not tighten all bolts until the bed is assembled completely.

STEP 6



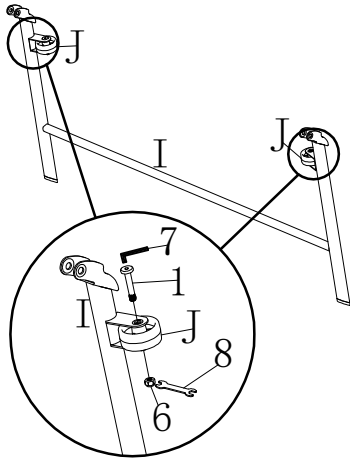
DAYBED COMPLETED



Note: Please do not tighten all bolts until the bed is assembled completely.

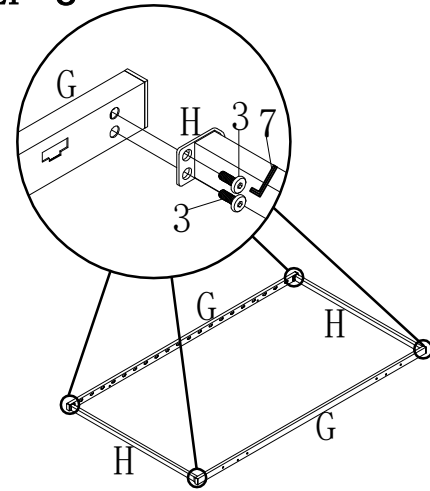
TRUNDLE ASSEMBLY

STEP 7



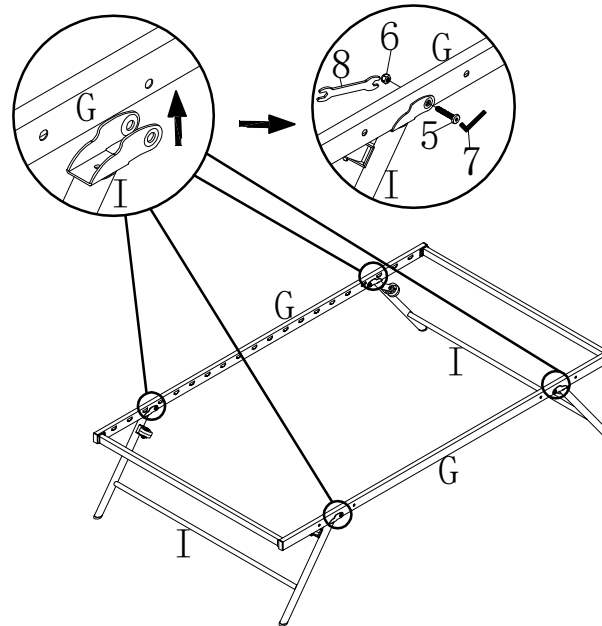
Hardware 1: 4 pcs
Hardware 6: 4 pcs

STEP 8



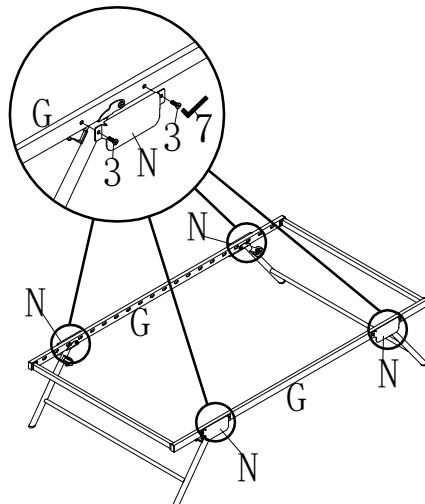
Hardware 3: 8 pcs

STEP 9



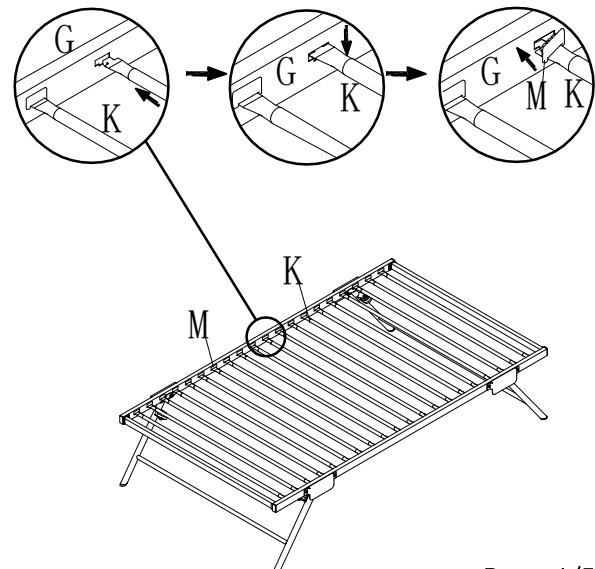
Hardware 5: 4 pcs
Hardware 6: 4 pcs

STEP 10



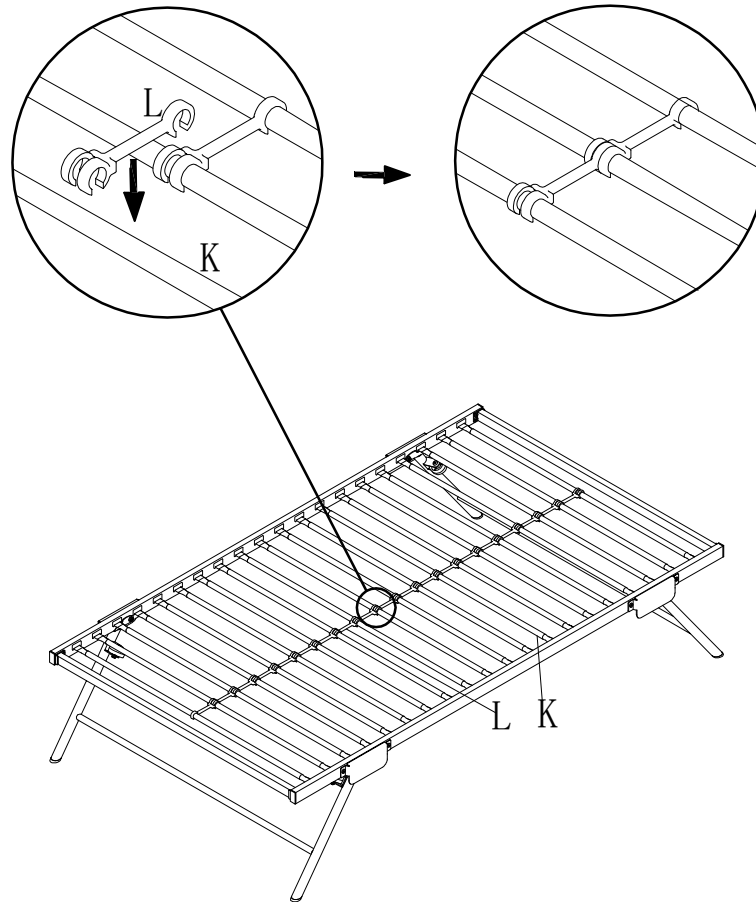
Hardware 3: 8 pcs

STEP 11



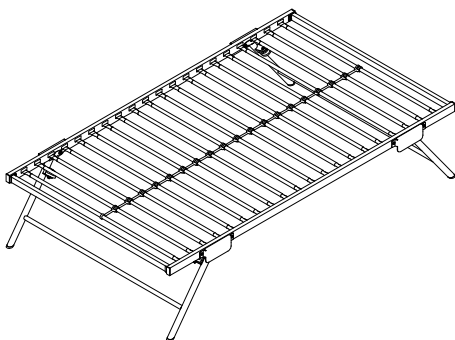
Note: Please do not tighten all bolts until the bed is assembled completely.

STEP 12



TRUNDLE COMPLETED

COMPLETED



For items use on wooden floor, hard surfaces or carpets, it is recommended to Install protective pads under all legs and supports to avoid/prevent from damages/scratches and discoloration.