

GE Monogram®

Installation

Instructions

Outdoor
Cooking Center

Dual Burner
Outdoor Cooktop

Liquid Propane
Model ZX2L SS

Natural Gas
Model ZX2N SS

Before you begin—Read these instructions completely and carefully.

IMPORTANT: Save these instructions for local inspector's use.

IMPORTANT: OBSERVE ALL GOVERNING CODES AND ORDINANCES.

NOTE TO INSTALLER: Be sure to leave these instructions with the Consumer.

NOTE TO CONSUMER: Keep these instructions with your Owners Manual for future reference.

If you have questions concerning the installation of this product, call the GE Answer Center® Consumer Information Service at 800.626.2000, 24 hours a day, 7 days a week.

If you received a damaged burner, you should contact your dealer.

Installation of this burner requires basic mechanical skills. Proper installation is the responsibility of the installer.

For Monogram local service in your area, 1-800-444-1845.

For Monogram Service in Canada, 1-800-880-3030.

For Monogram Parts and Accessories, call 1-800-626-2002.

FOR YOUR SAFETY:

Do not use this burner in a space where gasoline or other liquids having flammable vapors are stored or used.

CAUTION:

- **For outdoor use only.** Use this burner only in the manner intended by the manufacturer.
- This outdoor cooking gas appliance is not intended to be installed in or on recreational vehicles and/or boats.
- Keep the area surrounding the burner clear and free from combustible materials, gasoline and other flammable liquids or vapors, charcoal lighter fluid and trash.
- Do not obstruct the flow of combustion and ventilation air to the burner.
- When mounted on a cart, keep area beneath the burner free of debris. If the burner is built-in, do not store LP tanks beneath the unit without adequate ventilation.
- Observe proper clearances to combustible materials at all times.
- Keep the burner covered when not in use.
- Do not use a rusty or damaged LP tank.
- Never substitute gases (natural for LP or LP for natural). These burners are factory set for LP or natural gas. Order the model for your installation situation.
- When storing the burner indoors, disconnect the LP tank. Store the tank outdoors in a well ventilated area.
- Follow the guidelines on the LP tank for proper storage, transport and handling.

IF YOU SMELL GAS:

- Shut off gas to appliance.
- Extinguish any open flame.
- Open lid.
- If odor continues, immediately call your gas supplier.

- Tested in accordance with ANSI Z21.58a-latest edition standard for outdoor cooking gas appliances. This burner is for outdoor use only. Check local building codes for the proper method of installation. In the absence of local codes, this unit should be installed in accordance with the National Fuel Gas Code No. Z223.1 latest edition and the National Electrical Code ANSI/NFPA No. 70 latest edition.

CALIFORNIA PROPOSITION 65 - WARNING

The burning of gas cooking fuel generates some by products that are on the list of substances which are known by the State of California to cause cancer or reproductive harm. California law requires businesses to warn customers of potential exposure to such substances. To minimize exposure to these substances, always operate this unit according to the use and care manual, ensuring you provide good ventilation when cooking with gas.

INSECT WARNING!

Spiders and insects can nest in the burners, and cause the gas to flow from the front of the burner. This is a very dangerous condition which can cause a fire to occur behind the valve panel, thereby damaging the burner and making it unsafe to operate. Inspect the burner twice a year or immediately if any symptoms appear.

Contents

Models Available	3	Step 2A: Installation Into An Enclosure	6
Product Dimensions & Clearances	3	Step 3: Connect Gas Supply LP Models	7
Accessories	3	Step 3A: Natural Gas Models	8
Advance Planning	4	Step 4: Test for Leaks	9
Choosing the Location	4	Step 5: Lighting the Burner	9
Tools and Materials Required	4	Step 6: Adjusting the Burners	10
Step 1: Remove the Packaging	4	Finalize Installation	10
Step 2: Installation on 27" Cart	5		

Design Information

Dual Burner Outdoor Cooktop

Models Available

Monogram Dual Burner Outdoor Cooktops are factory set for LP or natural gas. Order the model for your installation situation.

Liquid Propane	Natural Gas
Model ZX2L SS	Model ZX2N SS

These models can be mounted to the right side of a Monogram 27" wide grill which has been installed on a cart.

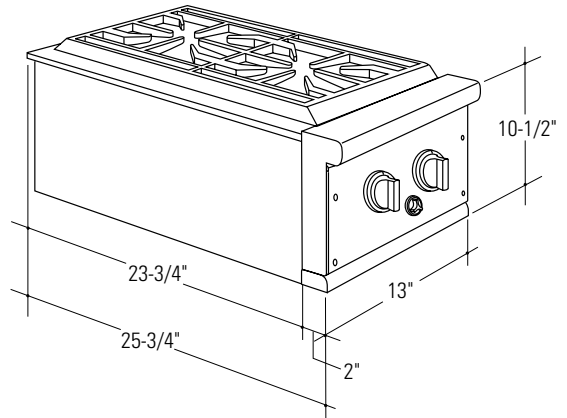
These models can also be installed in a combustible or non-combustible enclosure.

Product Dimensions & Clearances

When installed on the side of a grill cart, allow 6" clearance at the rear and right side to vertical combustible materials.

When installed in an enclosure, allow 6" clearance at the rear and both sides to vertical combustible materials.

When installed in a combustible enclosure, the cooking surface should be 1" above adjacent horizontal surfaces.



Accessories

Both LP and Natural gas models may be installed on a 27" wide portable grill cart. Both models are shipped with support brackets to secure the burner to the right side of the cart.

Accessories should be ordered with the burner and be on site at the time of installation.

ZX27QDC – LP Quick Disconnect Tee

For installation onto a 27" cart.

ZX2TKYSS Trim Kit

For a built-in installation, the enclosure, can be constructed of non-combustible (masonry) material or of combustible material such as wood. This trim kit conceals the back and side edges of the opening.

ZX2JYSS Insulated Jacket

An insulated jacket is required when installing into a combustible enclosure.

Advance Planning

- Monogram Dual Burner Outdoor Cooktops are designed to be installed on the right side of a 27" grill cart or built into an enclosure.
- In a non-combustible (masonry) enclosure, the burner drops into the opening. A solid deck beneath is required for support from the bottom.
- An insulated jacket is available to allow the grill to be installed in a combustible enclosure. The insulated jacket must be supported from the bottom by a solid deck or ledge on each side beneath the jacket.
- A trim kit is available for built-in installations to conceal the back and sides of the opening.

Clearances:

- When installed on the side of a grill cart, allow 6" clearance at the rear and right side to vertical combustible materials.
- When installed in an enclosure, allow 6" clearance at the rear and both sides to vertical combustible materials.
- When installed in a combustible enclosure, the cooking surface should be 1" above adjacent horizontal surfaces.

Design Information

Dual Burner Outdoor Cooktop

Choosing the Location

- **These cooktops are designed for outdoor use only.** Do not locate the cooktop in a building, garage or other enclosed area.
- Ensure that fresh air ventilation is adequate.
- Consider exposure to wind and proximity to traffic paths.
- The minimum clearances to combustibles must be maintained at all times.
- Do not install an outdoor cooktop below overhead unprotected combustible construction.
- The installation must conform to local codes or in the absence of local codes, with the national fuel gas code, ANSI Z223.1a, latest edition.

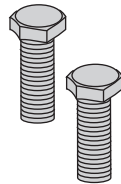
Tools & Materials Required

(Not supplied)

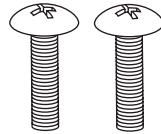
- Phillips head screwdriver
 - Two adjustable pipe wrenches
 - 7/16" socket with extension
 - Level
 - Pliers
 - Flat blade screwdriver (3/32" blade)
- For Natural Gas Installations:**
- Appropriate gas line to reach installation location
 - Pipe joint sealant, approved type and resistant to LP gases
 - Manual shut-off valve

Step 1 Remove the Packaging

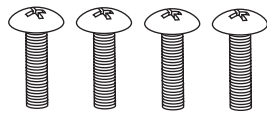
- Open the box and remove packaging.
- Remove the cover and grate.
- Remove white plastic tie-downs on burners.
- Open the hardware accessory carton and check contents.



1/4 - 20 x 1/2" Bolts
Count 2



10 - 24 x 3/4" Screws
Count 2



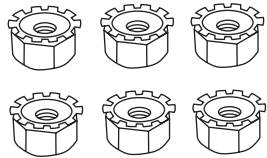
10 - 24 x 3/8" Screws
Count 4



#10 Flat Washers
Count 2



1/4" Flat Washers
Count 2



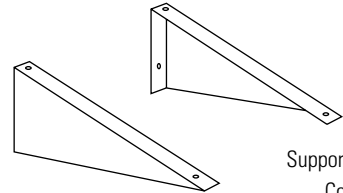
10 - 24 Lock Nuts
Count 6



1/4 - 20 Lock Nuts
Count 2



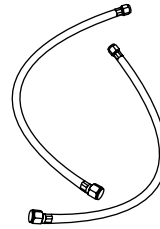
10 x 1/4" Thick Round Spacers
Count 2



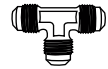
Support Brackets
Count 2

LP MODELS

See Product to Determine Parts Used

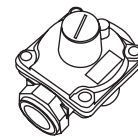


3/8" Flare Tee and
Two 3/8" x 3/8" Flare Hoses
(On Models So Equipped)



3/8" NPT x 1/2"
Flare Fitting

NATURAL GAS MODELS



Regulator and
1/2" NPT Close Nipple

Installation

Dual Burner Outdoor Cooktop

Step 2

Installation

On 27" Cart

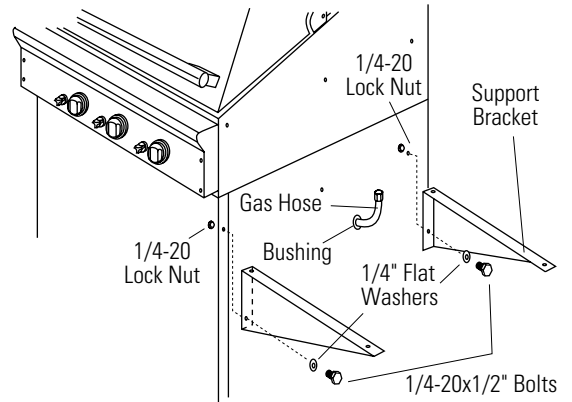
(Skip this step if you are installing in an enclosure)

The cooktop burner is designed to fit onto the right side of the 27" grill head.

- Open the grill lid and remove the right cooking grate and Gourmet Radiant Tray (or Lava Rock Tray).

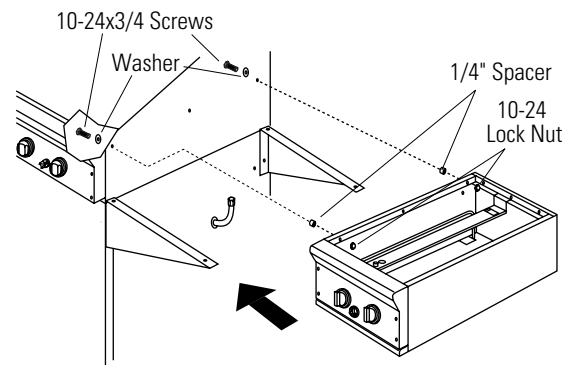
Secure Support Brackets to Grill

- Remove the cooktop burner cover, burner grate and stainless steel aeration pan and drip tray.
- Remove the two open top burners by grasping the burner and pulling up and towards the rear.
- Secure the support brackets to the cart using two 1/4 - 20 x 1/2" bolts, 1/4" flat washers and lock nuts as shown. Use a 7/16" socket with extension to reach the front lock nut.



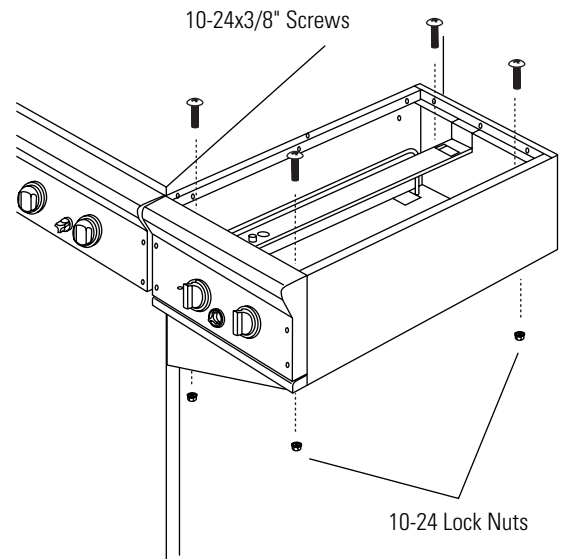
Secure Cooktop to Grill Head

- Install two 10 - 24 x 3/4" screws and #10 washers from inside the grill head. On the outside of the grill head, install 1/4" round spacers onto the bolt.
- Position the cooktop chassis on top of the support brackets, aligning side mounting holes with bolts. Push bolt through the spacer and into the burner box. Secure with lock nuts.
- Check to be sure the cooktop is level with the grill head. Loosen mounting bolts and adjust if necessary.



Secure Cooktop to Support Brackets

- Install the four 10 - 24 x 3/8" screws through the inside of the burner box and through the bracket. Secure with 10-24 lock nuts.
- Reinstall the cooktop burner, aeration pan, burner grate and drip tray.



Installation

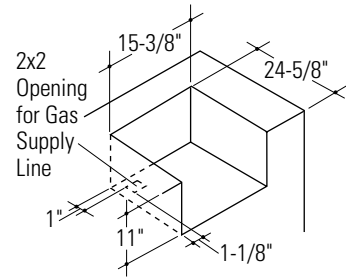
Dual Burner Outdoor Cooktop

Step 2A Installation Into An Enclosure

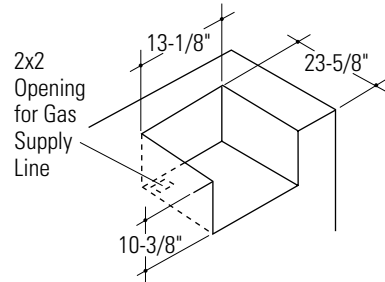
(Skip this step
if burner is installed
on a grill cart)

- All built-in installations should be at least 35-1/2" above the floor.
- **Clearances to Combustibles:**
- Allow at least 6" clearance from the back and sides to any combustible material.
- Allow at least 1" clearance below the cooking surface on all sides.
- **Installation in a combustible enclosure:**
- Installation into a combustible enclosure requires the ZX2JYSS insulated jacket.
- The insulated jacket must be supported from the bottom by a solid deck or ledge on each side beneath the jacket.

- **Installation in a non-combustible enclosure:**
- In a non-combustible (masonry) enclosure, the burner drops into the opening. A solid deck beneath is required for support from the bottom.



Combustible enclosure with Insulated Jacket

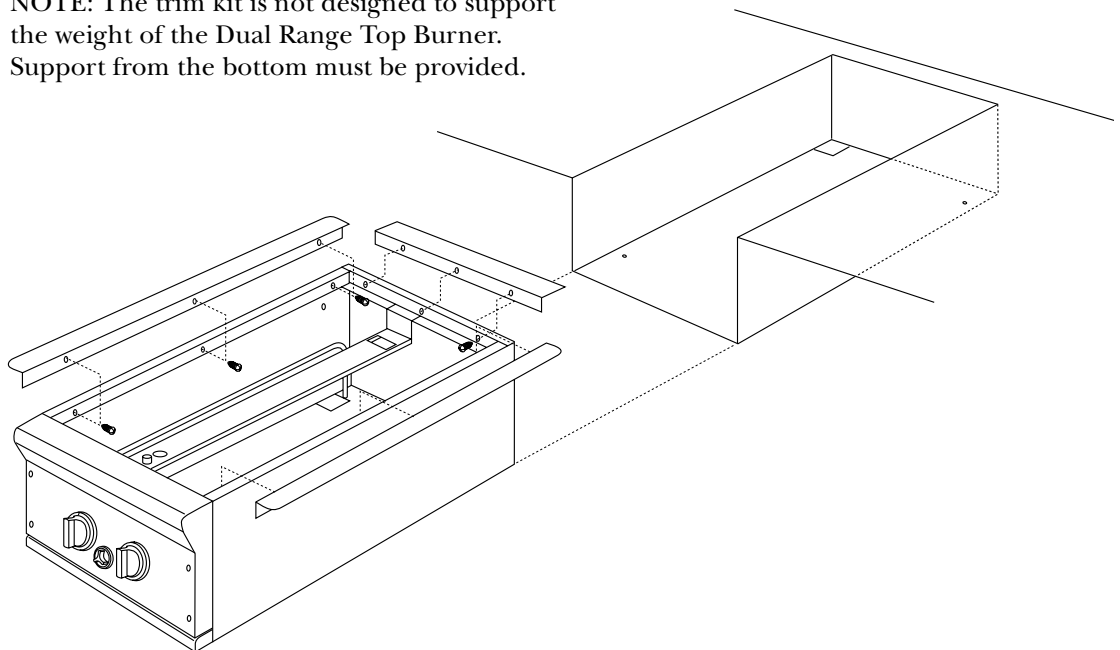


Non-combustible enclosure

To install trim kit ZX2TKYSS:

- Remove the cover and burner grate.
- Place side trim and rear trim pieces over the burner edges, overlapping the countertop surface.
- Install screws from the inside of the burner and through the trim. 3 each on all sides.

NOTE: The trim kit is not designed to support the weight of the Dual Range Top Burner. Support from the bottom must be provided.



Installation

Dual Burner Outdoor Cooktop

Step 3 Provide Gas Supply

LP GAS MODELS

Go to Step 3A
For Natural
Gas Model
Connections

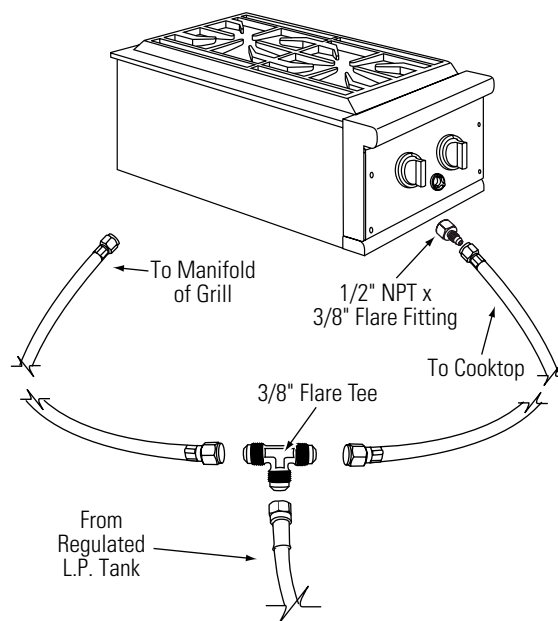


WARNING PRODUCT STORAGE

When storing the LP burner indoors, disconnect the LP tank. Store the tank outdoors in a well ventilated area. Do not store spare LP tanks near or below the burner installation.

For installation with a 27" LP gas grill that does not feature the new Quick Disconnect coupling.

- Completely close the main valve on the LP tank supplying the grill.
- Apply joint compound to the threaded end of the cooktop gas inlet.
- Tighten the 1/2" NPT x 3/8" flare fitting to the cooktop gas outlet. Do not use threading compound on the male threads.
- Attach hose to end of fitting and tighten.
- Route the hose through the hole with protective bushing on the side of the grill cart.
- Attach the hose ends from the grill and the cooktop to the ends of the supplied 3/8" flare tee as shown.
- Attach the original LP Regulator hose assembly to the 3/8" flare tee as shown.
- Go to "Test for Leaks" Step 4.

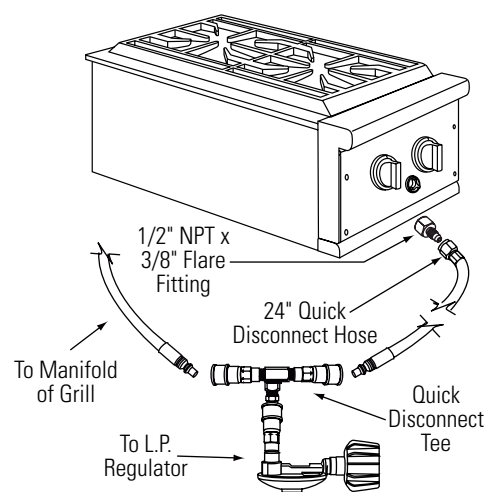


For Installation with a 27" LP Gas Grill featuring Quick Disconnect couplings.

- Completely close the main valve on the LP tank supplying the grill.
- Apply joint compound to the threaded end of the cooktop gas inlet.
- Tighten the 1/2" NPT x 3/8" flare fitting to the cooktop gas outlet. Do not use threading compound on the male threads.
- Attach hose to end of fitting and tighten.

NOTE: To connect the Quick Disconnect couplings, pull back and hold the outer sleeve of the female coupling while inserting the male hose end. Release the outer sleeve to lock. To test the connection, firmly grasp each part and attempt to pull apart. Once locked, they should not separate.

- Route the cooktop LP hose through the panel bushing on the right side of the cart.
- Insert the male hose end from the cooktop burner into one end of the quick disconnect tee.



- Attach the hose from the grill to the opposite female end of the quick disconnect tee.
- Secure the bottom male end of the quick disconnect tee to the female quick disconnect LP tank regulator assembly.
- Go to "Test for Leaks" Step 4.

LP Connection
with ZX27QDC
Kit For Quick
Disconnect
Coupling
System

Step 3A Provide Gas Supply

NATURAL GAS MODELS

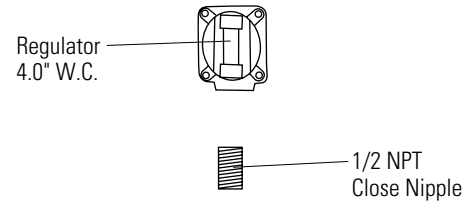
The burner and its individual shut-off valve must be disconnected from the gas supply during any pressure testing of the system at test pressures in excess of 1/2 PSIG.

The burner must be isolated from the gas supply system by closing its individual shut-off valve during any pressure testing of the system at test pressures equal to or less than 1/2 PSIG.

The installation of these burners must conform with local codes or, in the absence of local codes, with the National fuel gas code, ANSI Z223.1a, latest edition.

Operating pressure is 4" W.C.
Supply pressure should be 5" to 14" W.C. If pressure is more than 14" W.C. a step down regulator is required.

Check with local gas utility or with local codes for instructions on installing gas supply lines. Be sure to check on type and size of run and how deep to bury the line. If the gas line is too small, the burner will not function properly.



- Install a manual gas shut-off valve in an easily accessible location.
- Connect the 1/2 NPT coupling to the burner gas inlet.
- Make connections as shown.
- Check to be sure the regulator arrow points in the direction of gas flow, towards the grill and away from the gas supply.

Step 4 Test for Leaks



WARNING TEST FOR LEAKS

A complete gas tightness check must be performed at the installation site. **DO NOT USE A FLAME TO CHECK FOR GAS LEAKS.**

- Do not use the burner until all connections have been leak tested.
- Repeat leak test after each LP tank change or gas re-connect.
- Check to be sure the main valve on the LP tank or the shut-off valve is in the “OFF” position.
- Make a soap solution of one part liquid detergent and one part water.

The valve panel must be removed to check the valves and fittings.

- All control valves should be in the “OFF” position.
- Remove the knobs.
- Remove the 4 screws holding the valve panel to the burner.
- Pull the panel outwards and unplug the wire from the back of the rotary igniter.

TO TEST:

- Apply the soap solution around all connections, valve and tubing.
- Turn the gas supply on.
- Check all connections from the supply line or LP tank up to and including the manifold pipe assembly.
- If a leak is detected, turn gas supply off and tighten fittings. Turn the gas on and check again.
- To re-install the valve panel, re-connect the igniter wire and secure the panel with original screws.

Step 5 Lighting the Burner



WARNING Do not attempt to light the burner if the odor of gas is present.

CAUTION: Keep hands and face as far away from the burner as possible when lighting.

- Remove burner cover.
- Turn all knobs to “OFF” position.
- Turn gas supply on at the LP tank or shut-off valve.

NOTE: When lighting the burner for the first time or after a LP tank change, up to 20 seconds may be required to purge air from the lines.

- Push and turn control knob *counter-clockwise* to “LITE” position, turn the small igniter knob next to the burner knob *clockwise*.

NOTE: The spark will produce a snapping sound. This is normal.

- If the burner does not light within 4 seconds, turn knobs to “OFF” and wait 5 minutes for the gas to dissipate before trying again.
- If the burner does not light after several attempts, the burner can be lit with a match.

TO MATCH LIGHT:

- Remove the burner grate.
- Strike match and hold adjacent to burner port.
- Push and turn the control knob to “LITE”.
- Rotate the control knob to desired setting.
- Replace grate.

ALWAYS TURN GAS SUPPLY OFF AT THE SHUT-OFF VALVE OR LP TANK WHEN NOT IN USE.

Installation

Dual Burner Outdoor Cooktop

Step 6

Adjusting the Burners

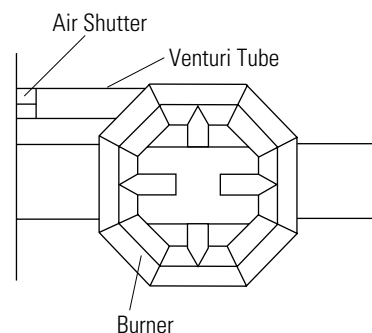
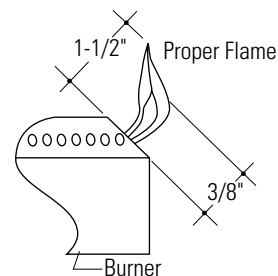
Adjustments should not be required, unless vibration during transit or variations in local gas supply make minor adjustments necessary.

Adjustments must be made by a qualified technician at the time of installation. Extreme care should be used if adjustments are made after installation.

- Push and turn the burner control knobs to the "LITE" position. Push and turn the small ignitor knob clockwise.
- Flames should be blue and stable with no yellow tips, excessive noise or lifting from the burner. If any of these conditions exist, turn control to off and check air shutter and burner ports for debris or spider webs.

TO ADJUST:

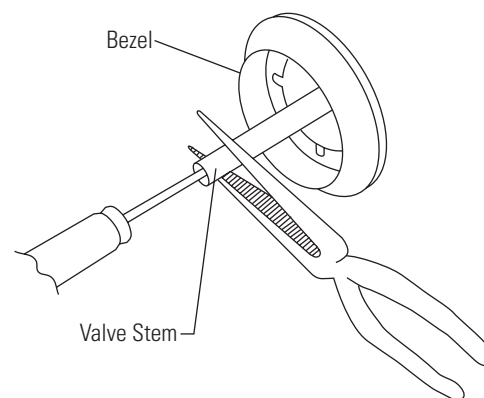
- If the flame is yellow, indicating insufficient air, turn the air shutter to allow more air to the burner.
- If the flame is noisy and tends to lift away from the burner, there is too much air. Turn the air shutter to reduce the opening.



Low setting Adjustment:

Minor adjustments may be required due to fluctuations in local gas pressure. Adjustments to increase or decrease gas flow may be necessary.

- Turn the control knob to the lowest setting, all the way counter-clockwise.
- Remove the knob by pulling straight out.
- Insert a thin-blade flat screwdriver into the valve shaft and hold. (3/32" blade width recommended.)
- Grip the shaft with pliers and turn counter-clockwise to lower the flame, or clockwise to increase the flame.
- When the desired setting is made, replace the knob and turn burner off.



WARNING:

Always check the low flame size for stability. A burner flame which is too small may go out or be extinguished easily. This can cause unburned gas to escape and cause a hazardous condition.

Finalize Installation

- Place aeration pan over the burners.
- Place the cast iron grate over the opening.
- Place cover over the top when not in use.

Notes

Dual Burner Outdoor Cooktop

Note: While performing installations described in this book, safety glasses or goggles should be worn.

To obtain specific information concerning any Monogram product or service, call GE Answer Center® consumer information service at 800.626.2000—any time, day or night.

For Monogram local service in your area, call 1-800-444-1845.

NOTE: Product improvement is a continuing endeavor at General Electric. Therefore, materials, appearance and specifications are subject to change without notice.



General Electric Company
Louisville, KY 40225

Pub. No. 49-8842-1
Dwg. No. 164D3333P082

© 2000 GE Appliances
Printed in USA
(N.D. 660) 8/00

10746-Rev. 2