

# WPR-20

## LED Surface Mount Wrap

### Product Description

The WPR LED Surface Mount Wrap delivers an impressive 3100 lumens without extra power draw or lamp replacements seen in fluorescent wraparounds. With 0-10V continuous dimming capabilities, glare-free illumination and accurate color rendering, this fixture is an affordable upgrade to most any indoor or outdoor space. The WPR's surface mount installation quickly integrates with a 4/0 plastic or metal J-box, making it a perfect choice for hallways, stairwells, schools, offices, garages, closets, and utility areas.

#### Construction

- Heavy 20 gauge steel construction
- Smooth sides for safe handling

#### Optical System

- Full wrap milky white diffuser eliminates hotspots and pixilation

#### Electrical

- Utilizes high performing LEDs
- Driver delivers full-range dimming from 0 - 10VDC
- Silent and flicker-free operation
- Tight LED binning ensures color uniformity
- Operating temperature of 0° to 120°F (-18°C to 40°C)
- Universal input 120 -277VAC
- Greater than 90 lumens per watt
- TM-21 Calculated L70(9k) life 67,000 hours
- LM-79, LM-80 testing performed in accordance with IESNA standards
- 120V meets FCC Part 15, Subpart B, class B standards for conducted and radiated emissions
- 277V meets FCC Part 15, Subpart B, class A standards for conducted and radiated emissions

#### Installation

- Easy surface mount installation
- Removable fixture housing allows easy access for mounting and wiring
- Can be surface mounted to walls and ceilings for application variability
- Knockouts provide for easy end-to-end runs

#### Finish

- White powder coat finish

#### Warranty

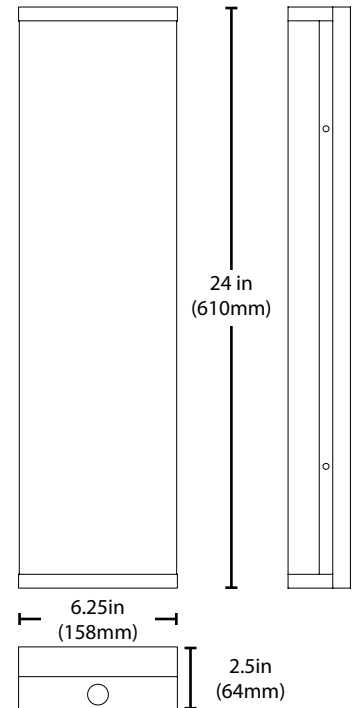
- 5-year limited system warranty standard
- Warranty does not cover product failure due to an overvoltage event (power surge)
- For installations where power surge may be possible, NICOR recommends installing additional surge protection at the fixture or electrical distribution panel

Project

Catalog

Type

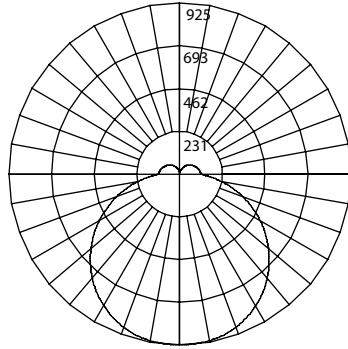
Date



# Photometric Data

## WPR-20 4000K

Input Voltage (VAC)	120-277
System Level Power (W)	34.1
Delivered Lumens (Lm)	3272
System Efficacy (Lm/W)	96.0
Correlated Color Temp (K)	4017
Color Rendering Index (CRI)	84
Beam Angle (0°)	125.8°
Beam Angle (90°)	112.8°
Spacing Criteria (0°)	1.34
Spacing Criteria (90°)	1.26



### Intensity Summary (Candle Power)

Angle	Along	Across
0	920	920
15	881	904
30	777	823
45	613	684
60	411	501
75	189	295
90	1	115
105	0	105
120	0	87
135	1	68
150	1	44
165	1	19
180	1	1

### CCT Data Multiplier

WPR-20-UNV-3K	0.952
WPR-20-UNV-5K	1.048

### Cone of Light Tabulation

Mounted height (Feet)	Footcandles Beam Center	Diameter (Feet)
4	57.5	5.4
6	25.6	8.0
8	14.4	10.7
10	9.2	13.3
12	6.3	16.2
14	4.7	18.5
16	3.6	21.0

### Zonal Lumen Summary

Zone	Lumens	% of Luminaire
0-30	727	22.2%
0-40	1202	36.7%
0-60	2181	66.7%
0-90	2969	90.8%
90-180	302	9.2%
0-180	3272	100.0%

### Performance Data

Model Number	Lumens	Watts	Lumens/Watt
WPR-20-UNV-3K-WH	3116	34.1	91.4
WPR-20-UNV-4K-WH	3227	34.1	96.0
WPR-20-UNV-5K-WH	3428	34.1	100.5

### Recommended Dimmers\*

- Lutron NTSTV
- Lutron DVSTV
- Cooper SF10P
- Legrand RH4FBL3PW

\*Not a complete list. Check compatibility before installation.

## Ordering Information

Example: WPR-20-UNV-3K-WH

Series	Version	Voltage	CCT's	Trim Color
WPR	20 (Version 2)	UNV(120-277)	3K (3000)	WH (White)
			4K (4000)	
			5K (5000)	

Specifications and dimensions subject to change without notice

This device complies with part 15 of the FCC Rules. Operation is subject to the following two conditions: (1) This device may not cause harmful interference, and (2) this device must accept any interference received, including interference that may cause undesired operation.

NOTE: This equipment has been tested and found to comply with the limits for a Class A digital device, pursuant to part 15 of the FCC Rules. These limits are designed to provide reasonable protection against harmful interference when the equipment is operated in a commercial environment. This equipment generates, uses, and can radiate radio frequency energy and, if not installed and used in accordance with the instruction manual, may cause harmful interference to radio communications. Operation of this equipment in a residential area is likely to cause harmful interference in which case the user will be required to correct the interference at his own expense.

This device complies with part 15 of the FCC Rules. Operation is subject to the following two conditions: (1) This device may not cause harmful interference, and (2) this device must accept any interference received, including interference that may cause undesired operation.

NOTE: This equipment has been tested and found to comply with the limits for a Class B digital device, pursuant to part 15 of the FCC Rules. These limits are designed to provide reasonable protection against harmful interference in a residential installation. This equipment generates, uses and can radiate radio frequency energy and, if not installed and used in accordance with the instructions, may cause harmful interference to radio communications. However, there is no guarantee that interference will not occur in a particular installation. If this equipment does cause harmful interference to radio or television reception, which can be determined by turning the equipment off and on, the user is encouraged to try to correct the interference by one or more of the following measures:

- Reorient or relocate the receiving antenna.
- Increase the separation between the equipment and receiver.
- Connect the equipment into an outlet on a circuit different from that to which the receiver is connected.
- Consult the dealer or an experienced radio/TV technician for help.