

# SYMMONS® Origins®

## Kitchen Faucet

### S-23-SM Series

#### INSTALLATION, OPERATION AND SERVICE INSTRUCTIONS

Faucet meets ASME A112.18.1/CSA B125.1

Flow rate: 2.2 gpm (8.3 L/min)

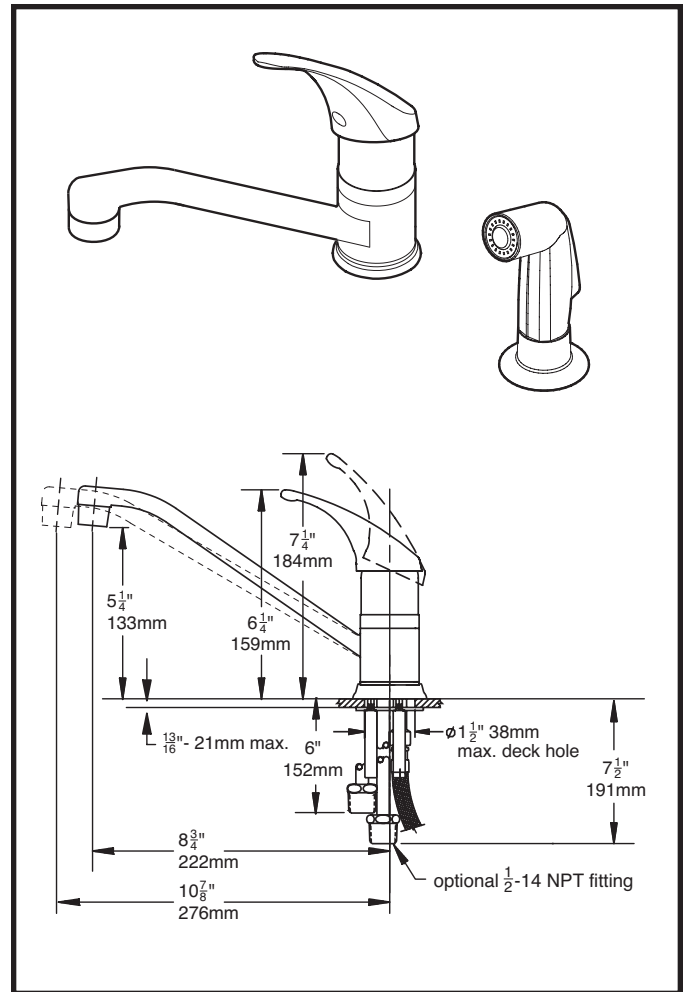
**Caution: Be sure to turn off hot and cold water supplies before installing or servicing faucet.**

#### INSTALLATION:

1. If installing model with hose and spray, install hose guide into hole in sink (normally the right hole on multiple hole sink). From underneath sink place washer then nut over hose guide and secure to sink. Insert hose through hose guide, feed hose up through hole in sink, through gasket (KN-125) and deck ring (KN-124) to nipple on base of faucet.
2. Align faucet to sink with hose nipple towards rear. Without straightening copper supplies, insert through center hole of sink. Install mounting plate (KN-126) from under sink and secure faucet to sink by tightening nuts (KN-128) from underside. Move supplies if required to tighten nuts.
3. Carefully straighten copper supplies to avoid kinking tubing. Connect hot supply to left tube and cold supply to right tube using appropriate connectors.
4. It is very important to thoroughly flush the supply lines to prevent foreign matter, i.e. copper chips, sand, stones, etc. from damaging the sealing surfaces of cartridge. Remove aerator and turn valve handle on to full cold position, open cold supply. Without closing, turn handle to full hot and open hot supply. Let water run in hot only and cold only positions long enough to flush supply lines thoroughly. If equipped with a hose and spray, direct spray head into sink and activate spray. Shut off faucet and replace aerator. Check for leaks.
5. The handle limit stop can be set to limit handle turn to the hot position. The limit mechanism is factory set to allow full handle travel. To adjust the limit stop, turn handle to the full hot position and lift handle to open faucet approximately half way to obtain a smooth flow for correct initial temperature measurement.
6. If when faucet is on and in full hot position and water is too hot, shut water off, remove plug button (KN-157), loosen set screw (L-22) and remove handle (KN-3RB or KN-3BRB), lift limit stop ring using a small flat head screw driver and rotate clockwise to lower temperature. If water is not hot enough, rotate counter clockwise (See Figure 1 on reverse side). After correct temperature is achieved, reattach handle, reversing procedure above.

#### To replace cartridge (KN-4):

1. Remove plug button (KN-157), loosen set screw (L-22) and remove handle (KN-3RB or KN-3BRB).
2. Engage tabs in cartridge wrench (LN-34) with slots in compression ring (KN-2) and use screwdriver in wrench holes or pliers on wrench and turn counter clockwise until compression ring engages with cap (KN-1). Continue turning counter clockwise so that cap/ring assembly is removed from the body (KN-11).



3. Remove cartridge and o-ring seal (KN-4).
4. Install new cartridge while taking care to maintain position of the o-ring seal at the base of the cartridge. Match posts in base of cartridge with alignment holes in supply body during assembly.
5. Reassemble faucet in reverse fashion. Thread cap onto body firmly by hand. Do not use a wrench which may damage the finish. Tighten compression ring (KN-2) finger tight using the wrench (LN-34) then 1/4 to 1/2 turn further. Set hot water limit stop in accordance with installation step 6 above.

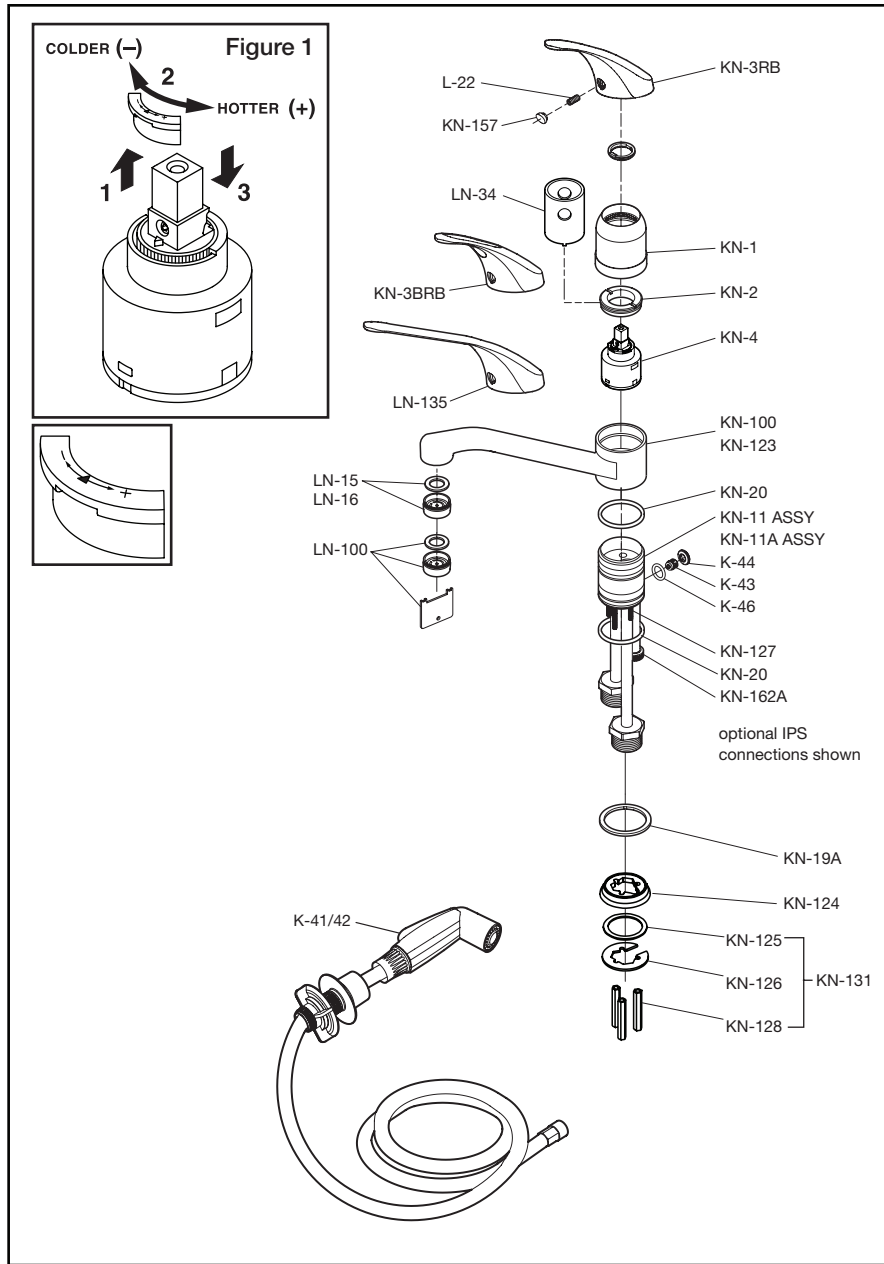
#### To replace diverter mechanism (K-43):


1. Follow cartridge replacement steps 1 through 5 above, then:
2. Remove retaining ring (K-44) with 3/8" hex key wrench.
3. Remove diverter (K-43) and o-ring (K-46).
4. Grease diverter o-ring and install into body.
5. Press diverter into o-ring and body.
6. Replace retaining ring.

- K-41/42\* Hand spray and holder
- K-43 Diverter
- K-44 Retaining ring
- K-46 O-ring
- KN-1\* Valve cap
- KN-2 Compression ring
- KN-3RB\* Solid Handle
- KN-3BRB\* Loop Handle
- KN-4 Cartridge
- KN-11 ASSY Supply body assembly with diverter
- KN-11A ASSY Supply body assembly without diverter
- KN-19A Spacer
- KN-20 O-ring (2)
- KN-100\* Spout assembly (8 3/4")
- KN-123\* Spout assembly (10 7/8")
- KN-124\* Deck ring
- KN-125 Gasket
- KN-126 Mounting plate
- KN-127 Studs (3)
- KN-128 Hex nut (3)
- KN-157 Plug button
- KN-162A Hose nipple
- L-22 Set screw
- LN-16\* Aerator (Faucet without hand spray)
- LN-34 Cartridge wrench
- LN-135 6" lever handle with red/blue indicators

\*For Decorative Finish Faucets add suffix to parts marked with an asterisk as follows:

- Suffix AWT: White finish
- Suffix BRS: Radiance® polished brass finish
- Suffix STN: Radiance® satin finish



Aerator (flow regulator)	Part Number*	
	Standard Aerator	Vandal Resistant with removal tool
2.2 gpm (8.3L/min)	LN-15	LN-101
1.5 gpm (5.7L/min)	FLR-110-1.5	FLR-110-1.5-VP
1.0 gpm (3.8L/min)	FLR-110-1.0	RL-288-VP-1.0
.5 gpm (1.9L/min)	----	LN-100
Removal tool part number, LL-60K 		

**⚠ WARNING:** This product can expose you to chemicals including lead, which is known to the state of California to cause cancer, birth defects, or other reproductive harm. For more information, go to [www.P65Warnings.ca.gov](http://www.P65Warnings.ca.gov).

Symmons Industries, Inc. ■ 31 Brooks Drive ■ Braintree, MA 02184  
 Phone: (800) 796-6667 ■ Fax: (800) 961-9621  
 Website: [symmons.com](http://symmons.com) ■ Email: [gethelp@symmons.com](mailto:gethelp@symmons.com)

Copyright © 2018 Symmons Industries, Inc. ■ ZV-368 REV G ■ 080118

