



Features

- Modular design allows it to be moved around corners and through doorways with ease.
- Durable swirl gloss finish.
- Wall surround includes backer boards for future grab bar installation.
- 1/2" (13 mm) threshold with 1/2" (13mm) finished floor.
- 63-1/2" (1613 mm) x 40-5/8" (1032 mm) x 73-1/4" (1861 mm) rough-in, including flange.
- 63-1/4" (1607 mm) x 39-3/8" (1000 mm) x 72" (1829 mm) complete unit finished dimensions.

Material

- Compression molded from our exclusive Vikrell® material.

Installation

- Tongue-and-groove four piece modular design allows for easy snap together installation.
- Caulk required for proper installation.

Components

Product includes:

- 62055106 39" Shower End Wall Set with Backer Boards
- 62061100 63" Shower Base
- 62062106 63" Shower Back Wall with Backer Boards



ADA

Codes/Standards



- CSA B45.5/IAPMO Z124
- ASTM E162
- ASTM E662
- Greenguard UL 2818 - Gold
- ADA

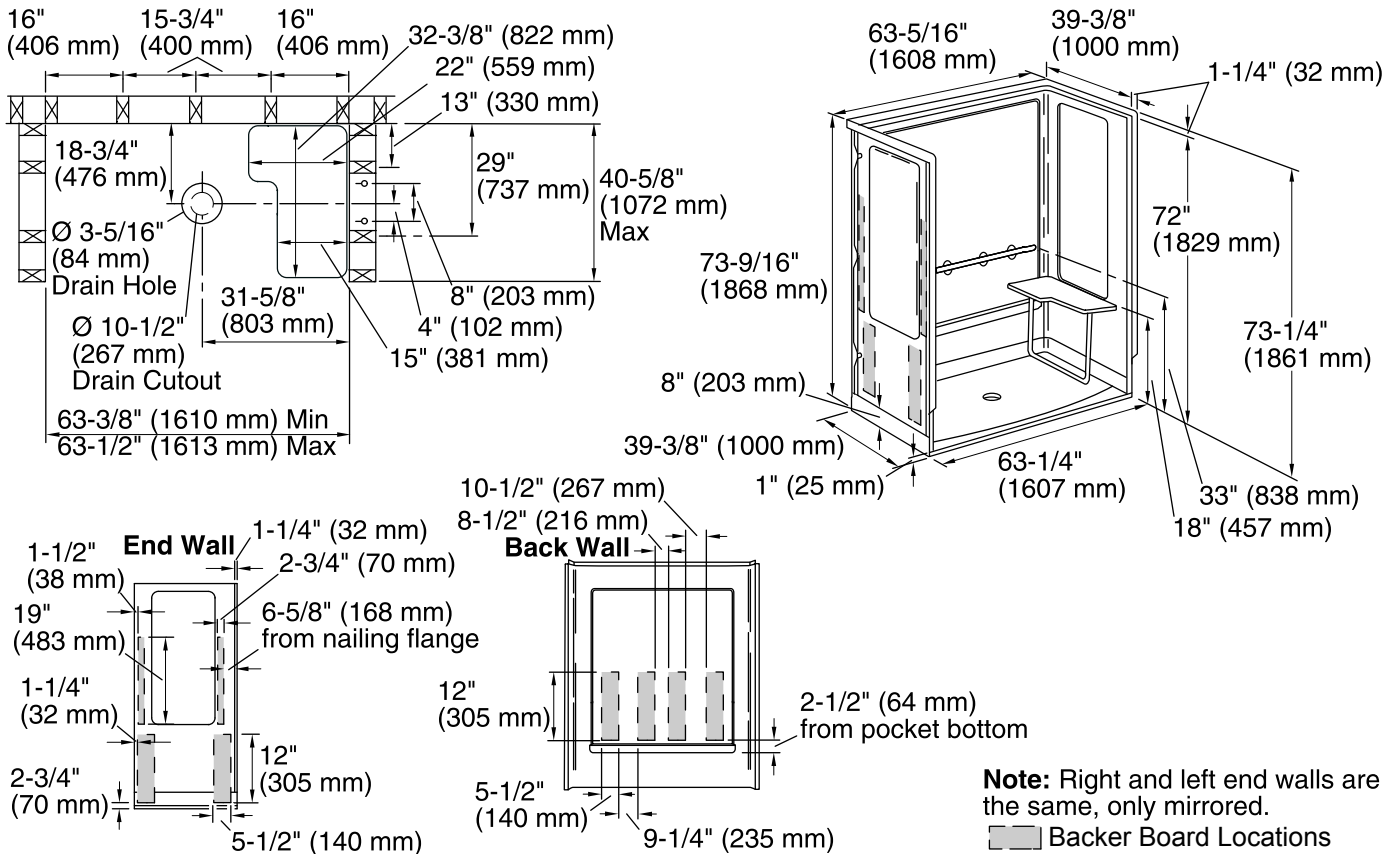
STERLING® Warranty - Fixtures Made of Solid Vikrell Material

See website for detailed warranty information.

Available Color/Finishes

Color tiles intended for reference only.

Color	Code	Description
	0	White
	96	Biscuit



Technical Information

All product dimensions are nominal.
 Installation: 3-Wall Alcove
 Drain location: Center

Notes

- Install this product according to the installation guide.
- Drain cutout in subfloor to be 10-1/2" (267 mm) per rough-in illustration as shown to allow the backside of the drain to sit below the subflow surface.
- Studs should be positioned as shown.
- Backer boards and fasteners protrude beyond the back wall 1-1/2" (38 mm). If installing this product against wall board, 1-1/2" (38 mm) furring strips installed over the wall board are recommended. The stud pocket depth of 40-5/8" (1032 mm) will need to be increased by the combined thickness of the wall board and furring strips.
- Attach grab bars at the specified backer board locations only.
- 1/2" minimum finished floor thickness required.
- ADA compliant when installed to the specific requirements of these regulations.