



# Executive Chef™

## 33" undermount double-bowl kitchen sink

### K-5931-4U

#### Features

- 36" minimum base cabinet width
- Large/medium bowls
- 9-3/4" depth left bowl and 7-3/4" depth right bowl
- Three oversized faucet holes with one oversized accessory hole to the right
- Oversized holes allow for easy installation of faucets and accessories
- Offset faucet ledge

#### Material

- KOHLER® enameled cast iron

#### Installation

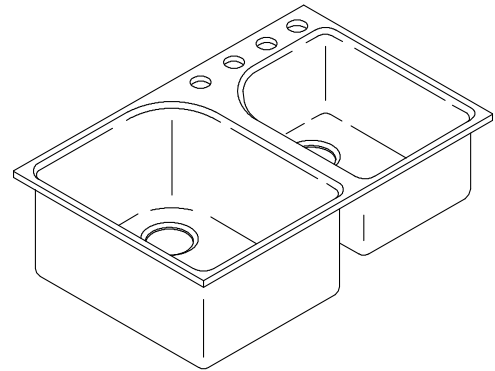
- Undermount

#### Recommended Products/Accessories

- K-6001 Left-Bowl Sink Rack
- K-8801 Sink drain and strainer with tailpiece
- K-8799 Sink drain and strainer basket
- K-23726 Drain treatment
- K-23725 Cast iron cleaner
- 1411886 Undermount sink kit 23"

#### Optional Products/Accessories

- K-6521 Sink Basket
- K-6515 Cutting Board
- K-11352 Disposal Flange with Stopper
- K-9000 P-Trap



#### Codes/Standards




ASME A112.19.1/CSA B45.2

#### KOHLER® Enameled Cast Iron Kitchen and Bathroom Sink Lifetime Limited Warranty

See website for detailed warranty information.

#### Available Colors/Finishes

*Color tiles intended for reference only.*

Color	Code	Description
	0	White
	96	Biscuit
	7	Black Black™

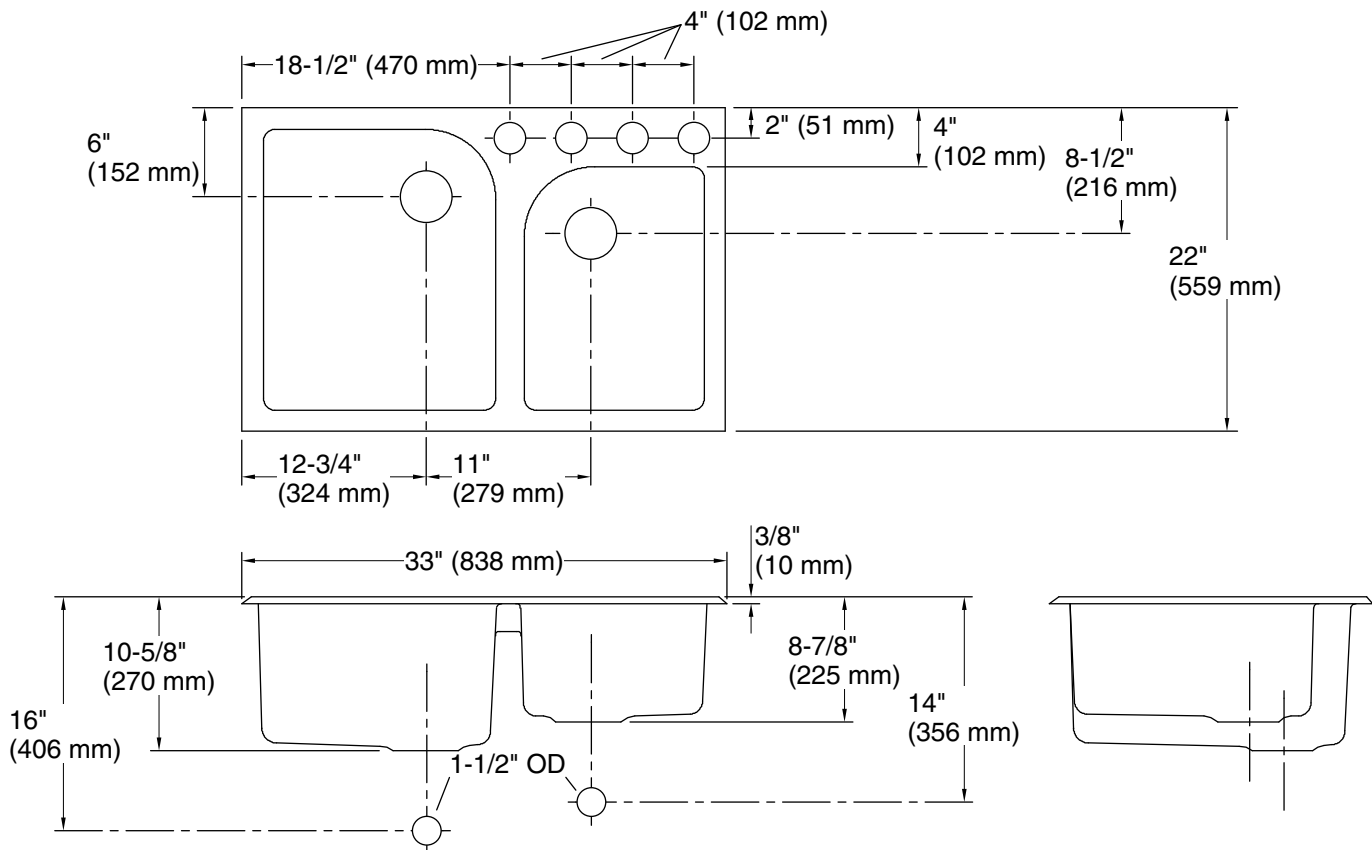
1-800-4KOHLER (1-800-456-4537)

Kohler Co. reserves the right to make revisions without notice to product specifications.

For the most current Specification Sheet, go to [www.kohler.com](http://www.kohler.com) USA or [www.kohler.ca](http://www.kohler.ca) Canada

9-5-2025 22:35 - US/CA

THE BOLD LOOK  
OF **KOHLER**®



### Technical Information

All product dimensions are nominal.

Basin configuration: Large Bowl on Left

Center(s): 8" (203 mm)

Min. base cabinet width: 36" (914 mm)

Bowl area (Left): Length: 16" (406 mm)  
Width: 19" (483 mm)  
Bowl depth: 9-3/4" (248 mm)

Bowl area (Right): Length: 12" (305 mm)  
Width: 17" (432 mm)  
Bowl depth: 7-3/4" (197 mm)

Number of deck holes: 4

Faucet hole(s): 2-3/8" (60 mm)

Drain hole: 3-5/8" (92 mm)

Template: 116808-7, required, included

### Notes

Install this product according to the installation instructions.