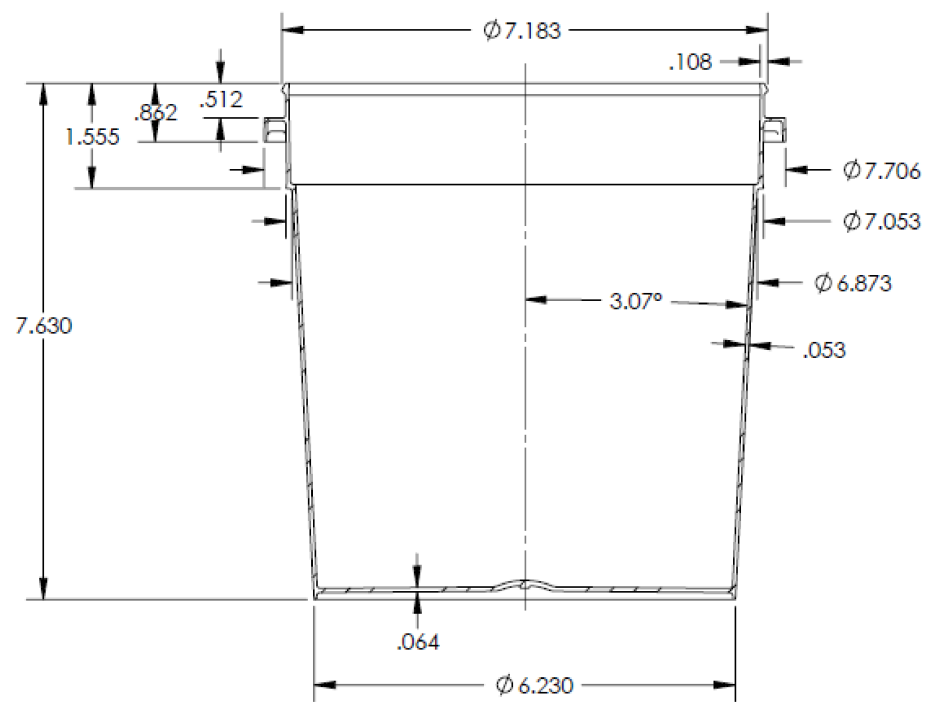


PART DATA	
MATERIAL	HDPE
WEIGHT (GRAMS)	180.2
VOLUME (CUBIC IN)	252.0
OVERFLOW CAPACITY(OZ)	139.6
OVERFLOW CAPACITY(CC)	4129.5
MEDIAN PRINT CIRCUMFERENCE	20.58
PRINT CIRCUMFERENCE (WITH 3/16 GAP)	6.551
PRINTING HEIGHT (MAX)	5.786



SECTION A-A  
SCALE 1 : 2



**DISCLAIMER**

THIS INFORMATION IS PROVIDED AS A GENERAL GUIDE, INCLUDING DIMENSIONS. IT IS THE CUSTOMER'S RESPONSIBILITIES TO SELECT THE PROPER CONTAINER FOR PRODUCT AND APPLICATION COMPATIBILITY.

DISTRIBUTED BY:



REF NO.:

DWG10042

DESCRIPTION:

1 gallon HDPE Open Head Pail