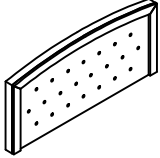
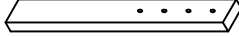
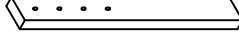




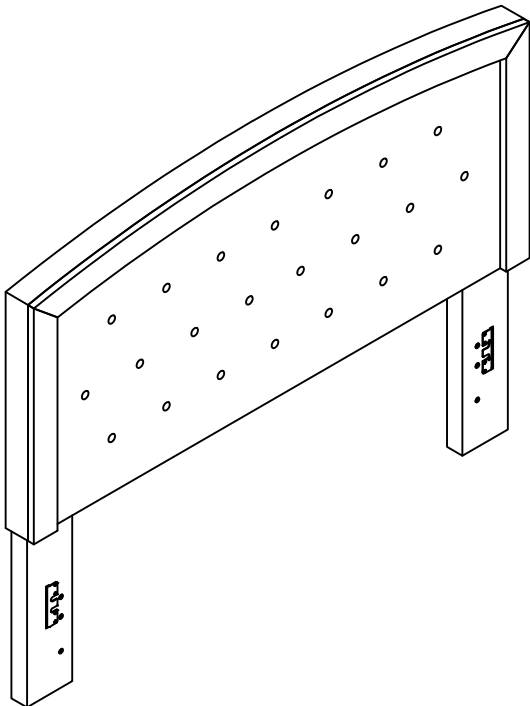


ASSEMBLY INSTRUCTION

UPHOLSTERED FULL HEADBOARD
UPHOLSTERED QUEEN HEADBOARD
UPHOLSTERED EASTERN KING HEADBOARD

A Headboard Panel  1 pc	B Left Post  1 pc	C Right Post  1 pc	D Allen Bolt Ø1/4" x 65 mmL  4 pcs
E Lock Washer Ø1/4"  4 pcs	F Flat Washer Ø1/4"  4 pcs	G Allen Key 4mm  1 pc	



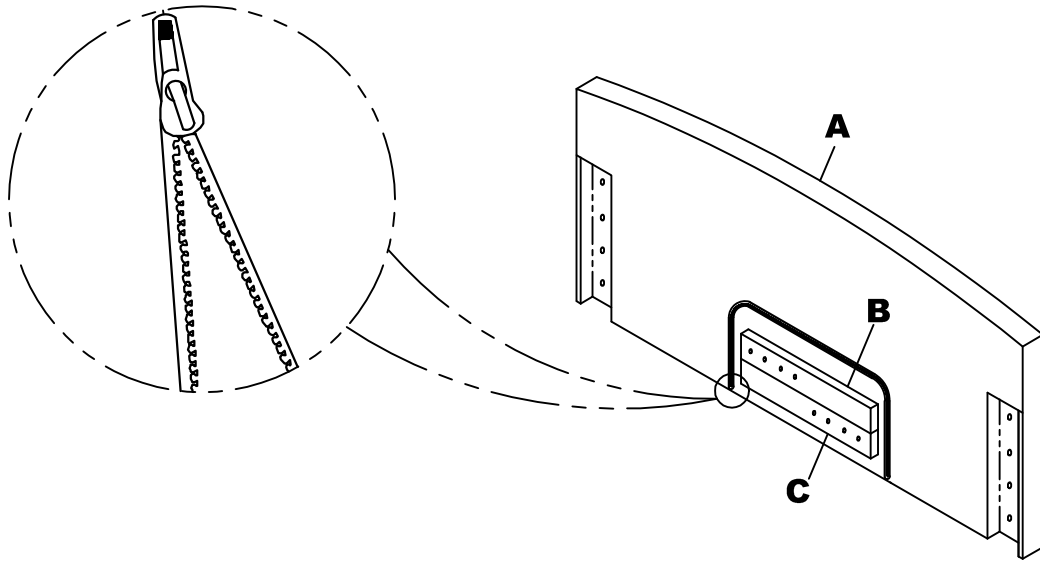
This page lists all the contents included in the box. Please take the time to identify the hardware as well as the individual components to this product. As you unpack and prepare for assembly, place the contents on a carpeted or padded area to protect them from damage.

IMPORTANT NOTE:

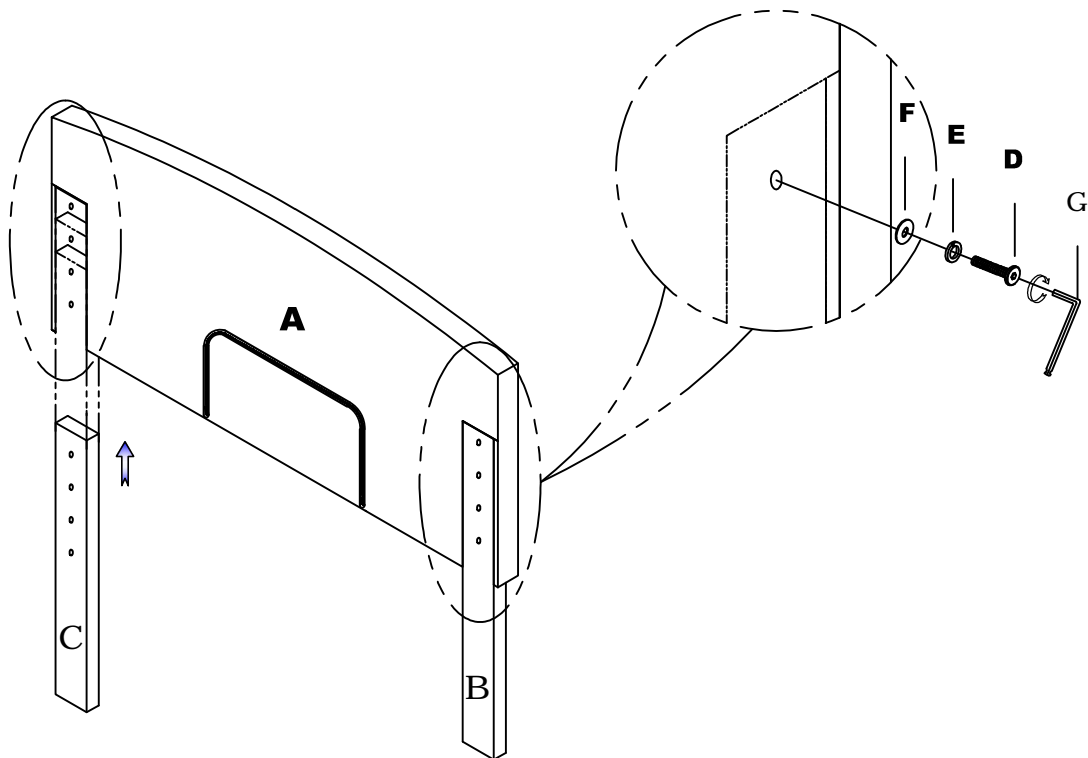
1. Do not tighten all screws / bolts until all completely assembled.
2. Keep all hardware parts out of reach of children.

***** Do not tighten screws & bolts until the entire unit is completely assembled.**

1 The Left Post (B) and Right Post (C) packed inside back Headboard Panel (A) with zipper opening.



2 Attach Left Post (B) and Right Post (C) to Headboard Panel (A) using Allen Bolt (D), Lock Washer (E), Flat Washer (F) and Allen Key (G).

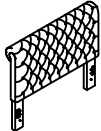


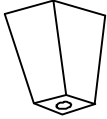
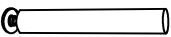
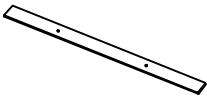


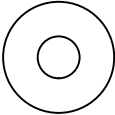

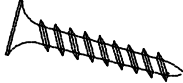



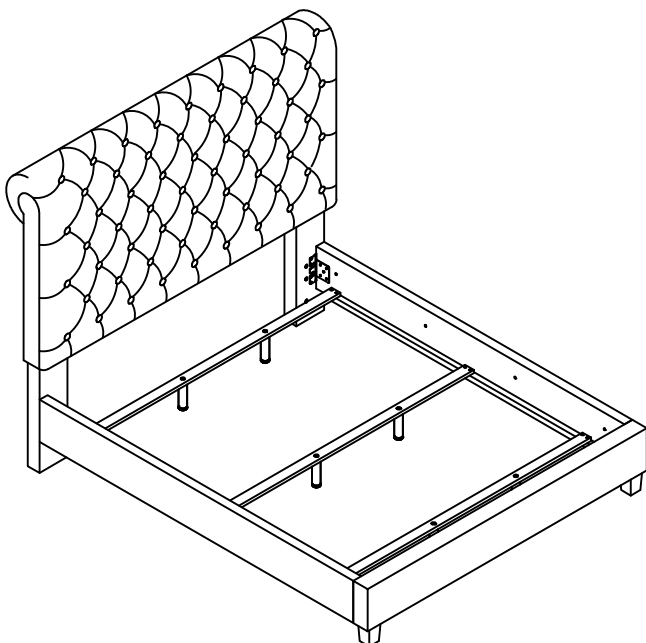
Cleaning & Care

Treat surface with care. Surface is resistant to scratches but is not scratch resistant. Clean surfaces with a dry or damp soft cloth. Do not use abrasive cleaners. Hardware may loosen over time. Periodically check that all connections are tight.

ASSEMBLY INSTRUCTION

UPHOLSTERED FULL FOOTBOARD & RAILS & SLATS UPHOLSTERED QUEEN FOOTBOARD & RAILS & SLATS

A Headboard (in the other carton)  1 pc	B Footboard  1 pc	C Side Rail  2 pcs	D Leg  2 pcs
E Support Leg  6 pcs	F Slat  3 pcs	G Allen Bolt $\text{Ø}1/4" \times 3"$  2 pcs	H Lock Washer $\text{Ø}1/4"$  8 pcs
I Flat Washer $\text{Ø}1/4"$  8 pcs	J Allen Bolt $\text{Ø}1/4" \times 2"$  6 pcs	K Wood Screws $\#8 \times 1-1/4"$  12 pc	L Allen Key 4mm  1 pc



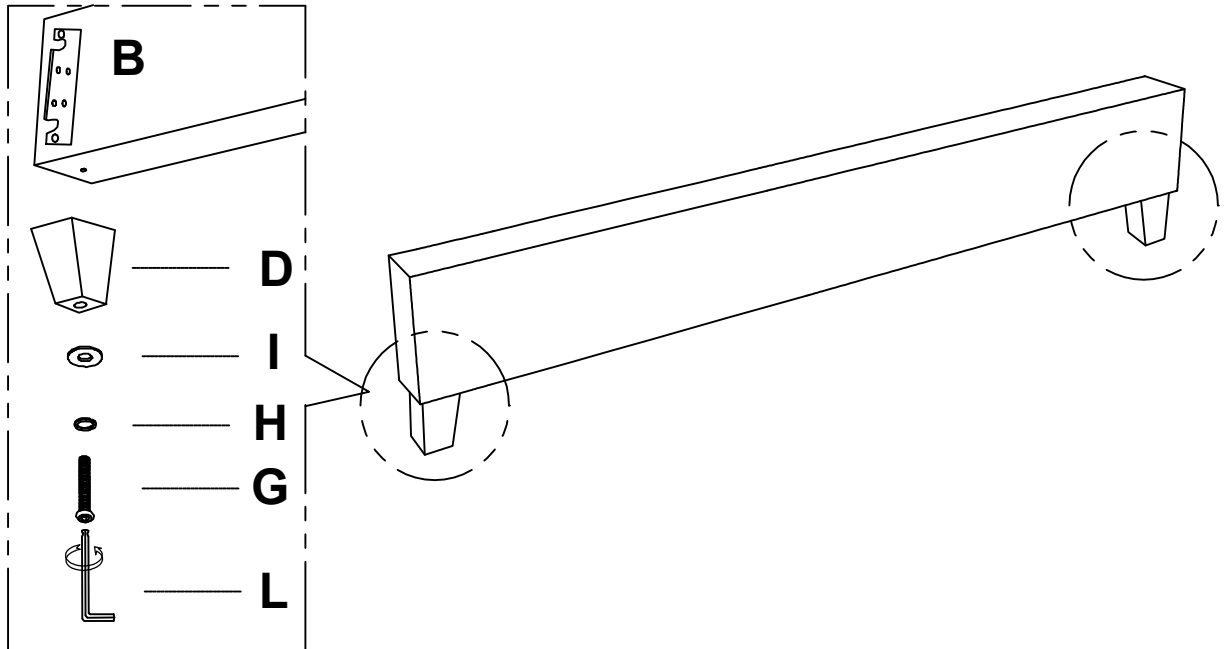
This page lists all the contents included in the box. Please take the time to identify the hardware as well as the individual components to this product. As you unpack and prepare for assembly, place the contents on a carpeted or padded area to protect them from damage.

IMPORTANT NOTE:

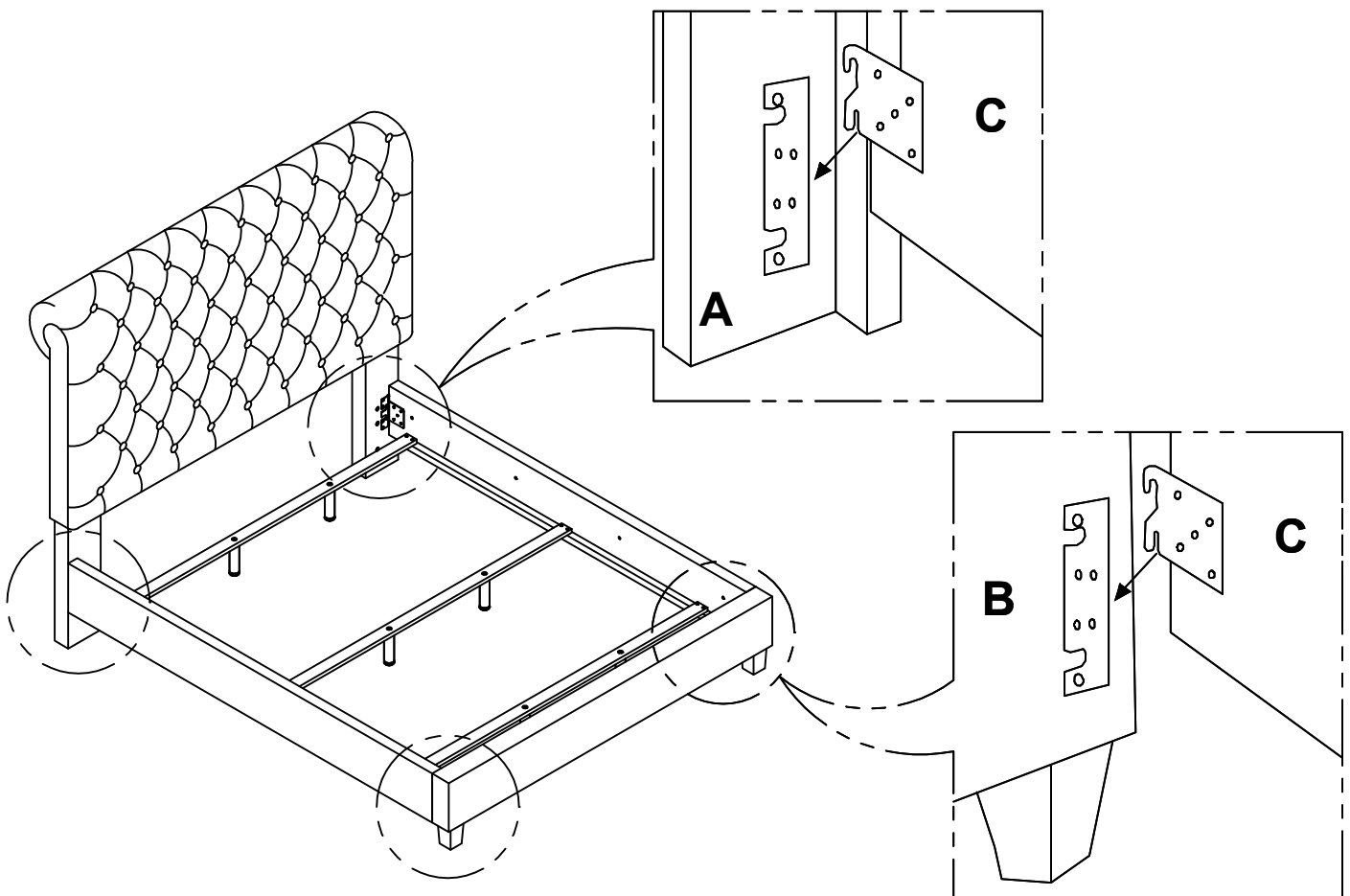
1. Do not tighten all screws / bolts until all completely assembled.
2. Keep all hardware parts out of reach of children.

***** Do not tighten screws & bolts until the entire unit is completely assembled.**

- 1** Attach the Leg (D) to the Footboard (B) using Allen Bolt (G), Lock Washer (H), Flat Washer (I) and Allen Key (L).

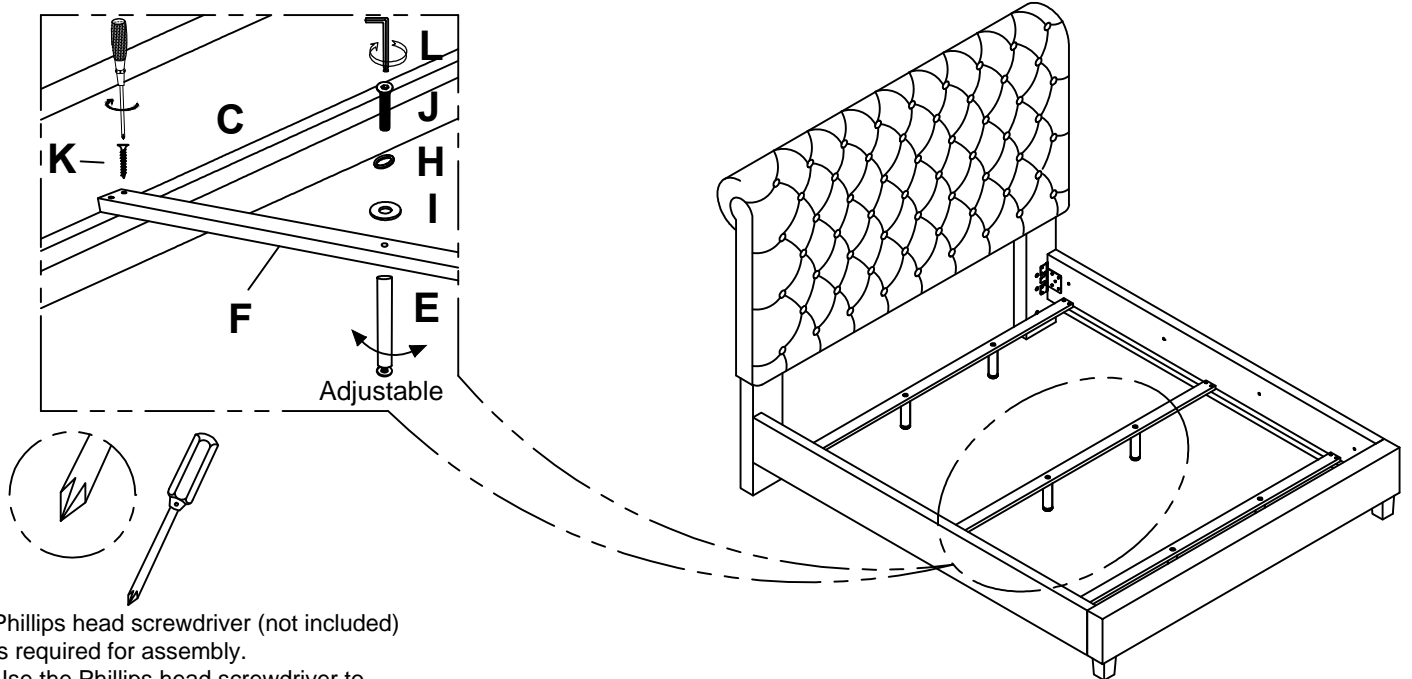


- 2** Place Side Rail (C) into position on Headboard (A) and Footboard (B) as shown.



***** Do not tighten screws & bolts until the entire unit is completely assembled.**

- 3** Attach Support Leg (E) to Slat (F) by using Allen Bolt (J), Lock Washer (H), Flat Washer (I), with Allen Key (L). Then place Slat (F) on Side Rail (C) with Wood Screws (K).

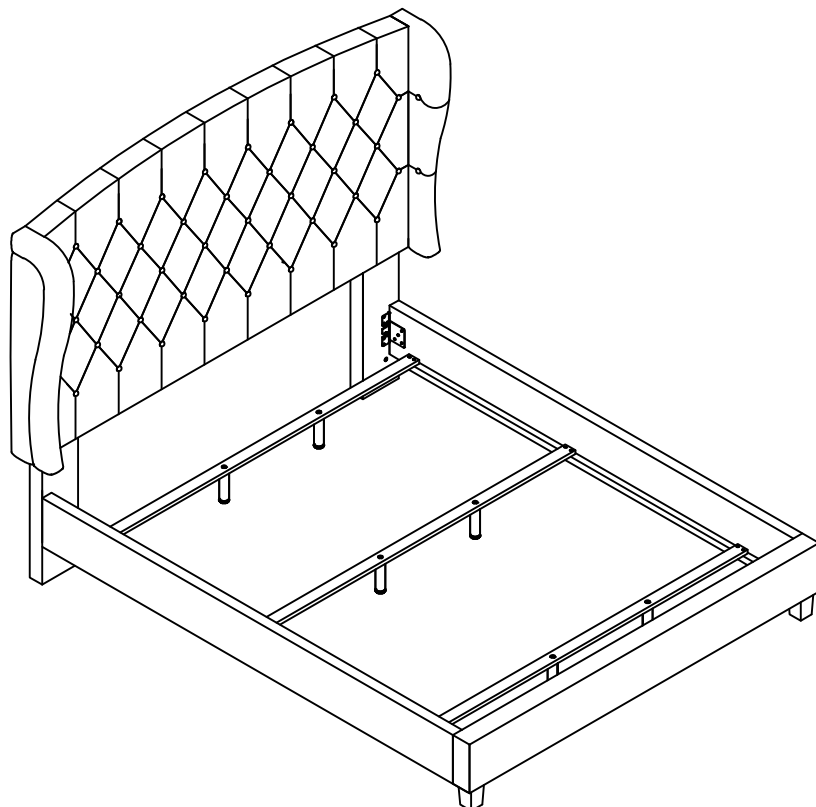
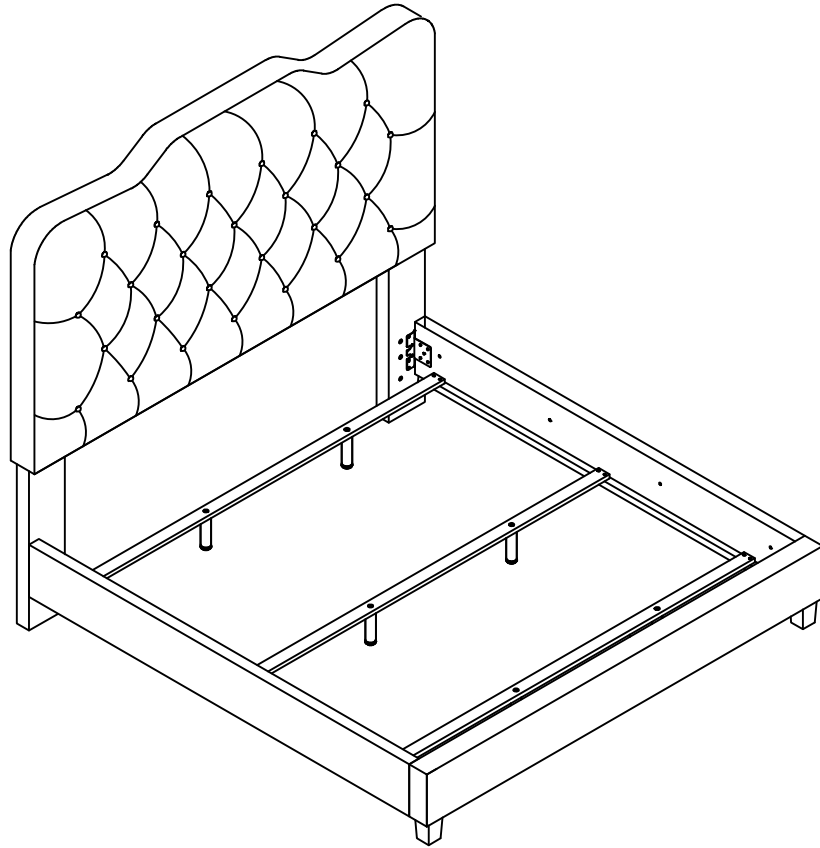


Phillips head screwdriver (not included) is required for assembly. Use the Phillips head screwdriver to tighten the wood screws.

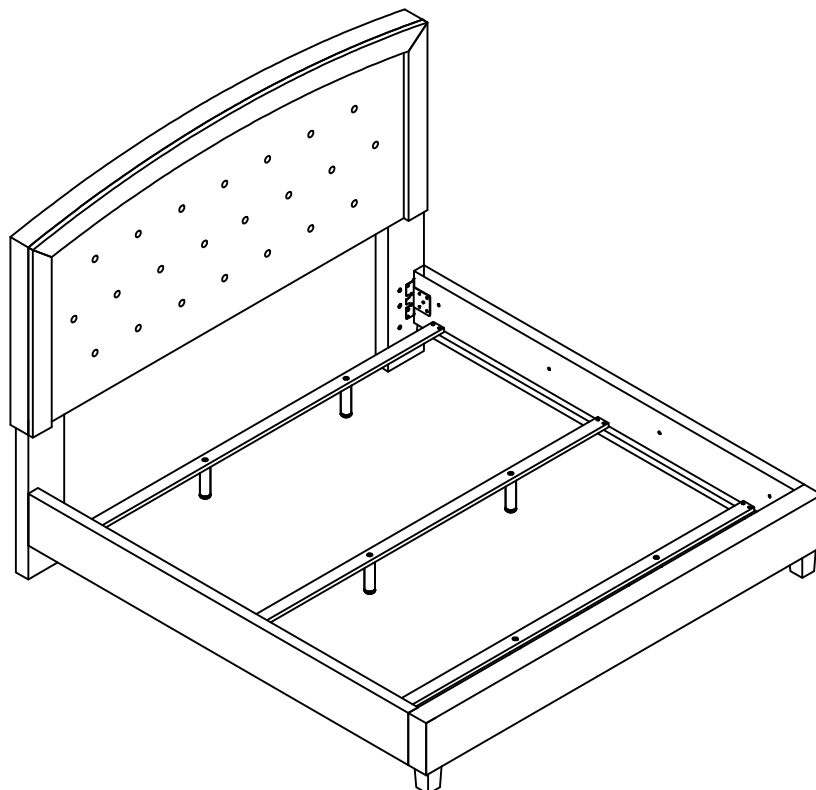
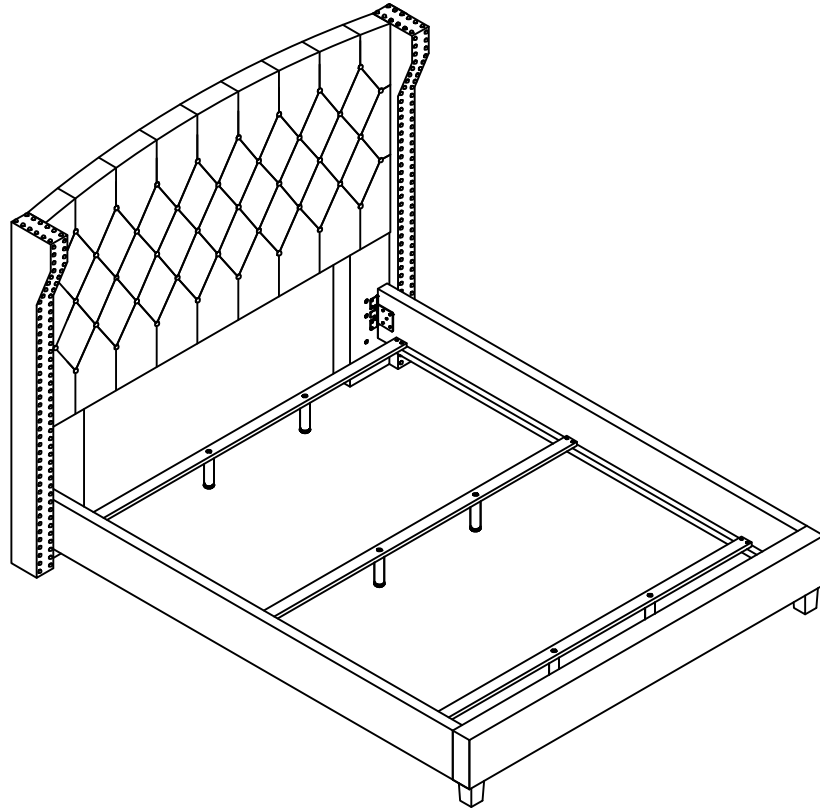
Cleaning & Care

Treat surface with care. Surface is resistant to scratches but is not scratch resistant. Clean surfaces with a dry or damp soft cloth. Do not use abrasive cleaners. Hardware may loosen over time. Periodically check that all connections are tight.

MORE SELECTION STYLE



MORE SELECTION STYLE



MORE SELECTION STYLE

