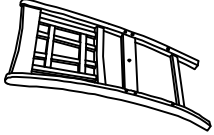


ASSEMBLY INSTRUCTION

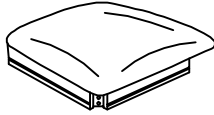
2423-24(3A) DARK CHERRY FINISH COUNTER HEIGHT CHAIR

A Chair Back



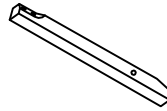
1pc

B Seat With Cushion



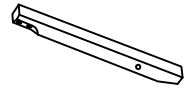
1pc

C Left Front Leg



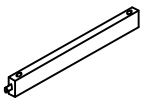
1pc

D Right Front Leg



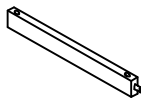
1pc

E Left Side Stretcher



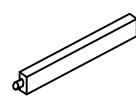
1pc

F Right Side Stretcher



1pc

G Front Stretcher



1pc

H Long Bolt
Ø1/4" x 75mm



4pcs

I Medium Bolt
Ø1/4" x 60mm



4pcs

J Short Bolt
Ø1/4" x 38mm



1pc

K Lock Washer



9pcs

L Flat Washer



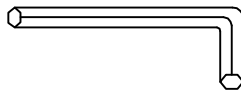
9pcs

M Screw

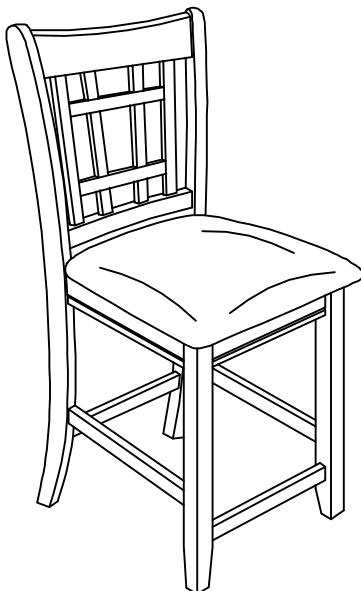


6pcs

N Allen Key



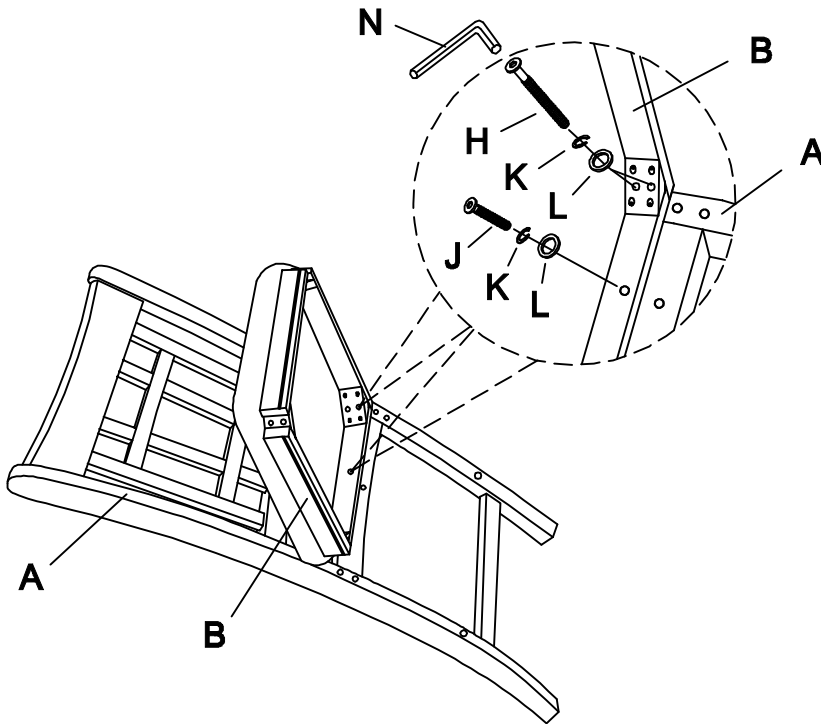
1pc



This page lists all the contents include in the box. Please take the time to identify the hardware as well as the individual components to this product. As you unpack and prepare for assembly, place the contents on a carpeted or padded area to protect them from damage.

1

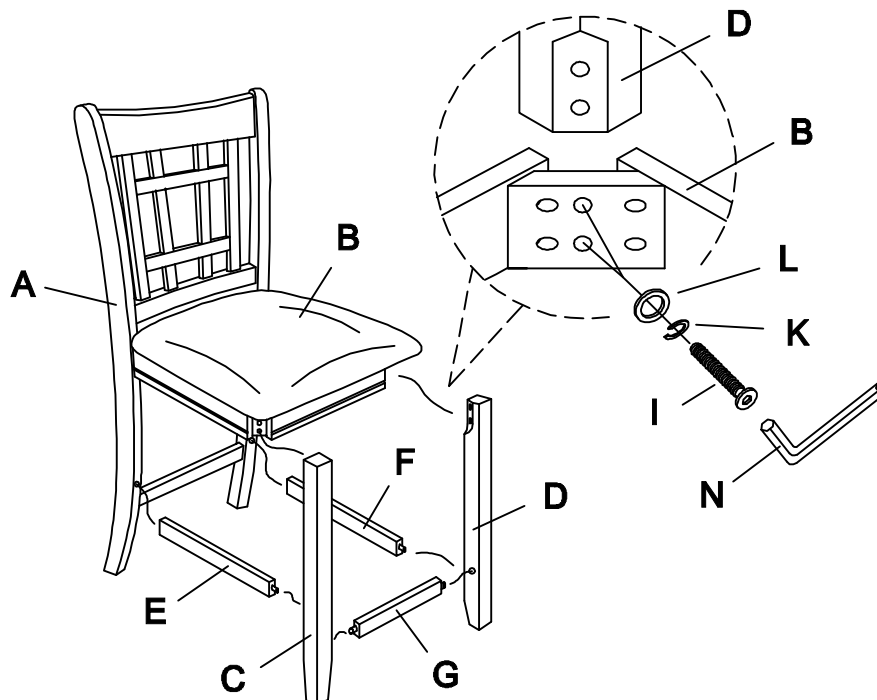
Put Chair Back (A) on smooth flat surface. Attach one Seat With Cushion (B) to the Chair Back (A) use Long Bolt (H), Short Bolt (J), Lock Washer (K) and Flat Washer (L) on five hole of the Chair Back (A). Turn the Allen Key (N) in the Long Bolt (H) and Short Bolt (J). But not too tight.



Take the Allen Key, and turn the bolts until the legs are secure.
DO NOT TIGHTEN COMPLETELY.
Stop when you feel you are adding force to tighten the bolt.

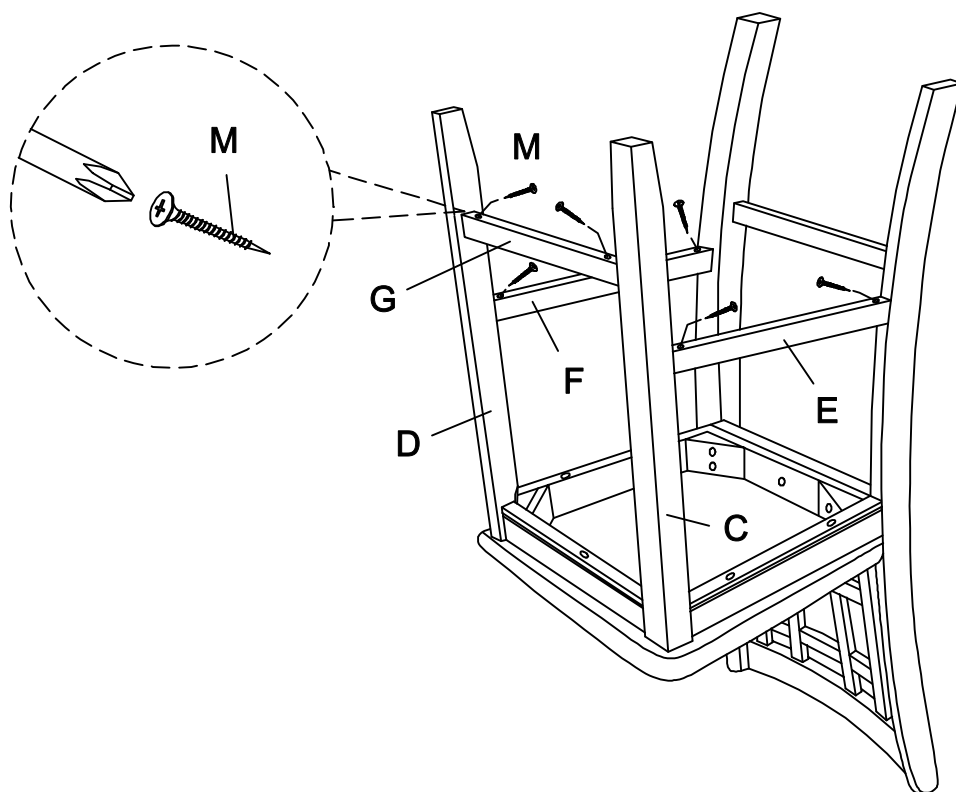
2

Attach Left Side Stretcher (E), Right Side Stretcher (F) and Front Stretcher (G) to Left Chair Leg (C), Right Chair Leg (D) then attach all to the Chair Back (A) and Seat With Cushion (B) use Medium Bolt (I), Lock Washer (K) and Flat Washer (L) on both hole of the Seat With Cushion (B). Turn the Allen Key (N) in the Medium Bolt (I). But not too tight.



3

Fasten Left Side Stretcher (E), Right Side Stretcher (F) and Front Stretcher (G) to Left Chair Leg (C), Right Chair Leg (D) and Chair Back (A) use Screw (M) and tighten with Screw driver (not provided). Hand tighten only at this moment by using Allen Key (N).



Stand chair up on an even surface and check that it is balanced.

If there is a slight wobble, apply downward pressure in the corner where a leg is uneven.

Keeping pressure in that corner, tighten all bolts.

If balanced, apply downward pressure evenly in the center and tighten all bolts.

Do not over-tighten beyond hole depth.

Helpful Tip:

-Instead of applying downward pressure while reaching under to tighten bolts, have someone sit in the chair while you tighten the bolts.

Cleaning & Care:

Treat surface with care. Surface is resistant to scratches but is not scratch resistant. Clean surfaces with a dry or damp soft cloth. Do not use abrasive cleaners. Hardware may loosen over time. Periodically check that all connections are tight.