

Item # : BR6DRLEEDR

Assembly Instructions

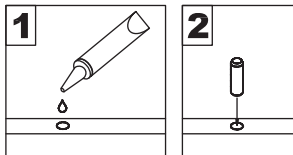


Please visit our website for the most current instructions, assembly tips, to report damage or request parts. www.walkeredison.com

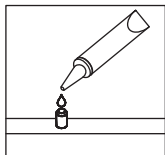
Revised 10/2022

General Assembly Guidelines

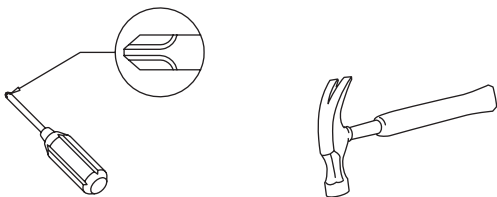
- I. Ensure that all parts and hardware are available before beginning assembly.
- II. Follow each step carefully to ensure the proper assembly of this product.
- III. Two people are recommended for ease in the assembly of this product.
- IV. The three main types of hardware used to assemble this product are wood dowels, screws and bolts.
- V. The provided glue is to secure wood dowels in place. When first inserting dowels, locate the appropriate hole for the dowel, place a small amount of glue in the hole and insert the dowel. Wipe away excess glue immediately.



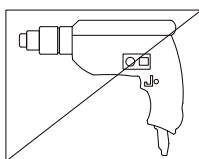
In future assembly steps when dowels are necessary to attach assembly parts together, place a small amount of glue on the end of the dowel before attaching parts together. Wipe away excess glue immediately.



- VI. A Phillips head screwdriver and hammer is required for the assembly of this product.

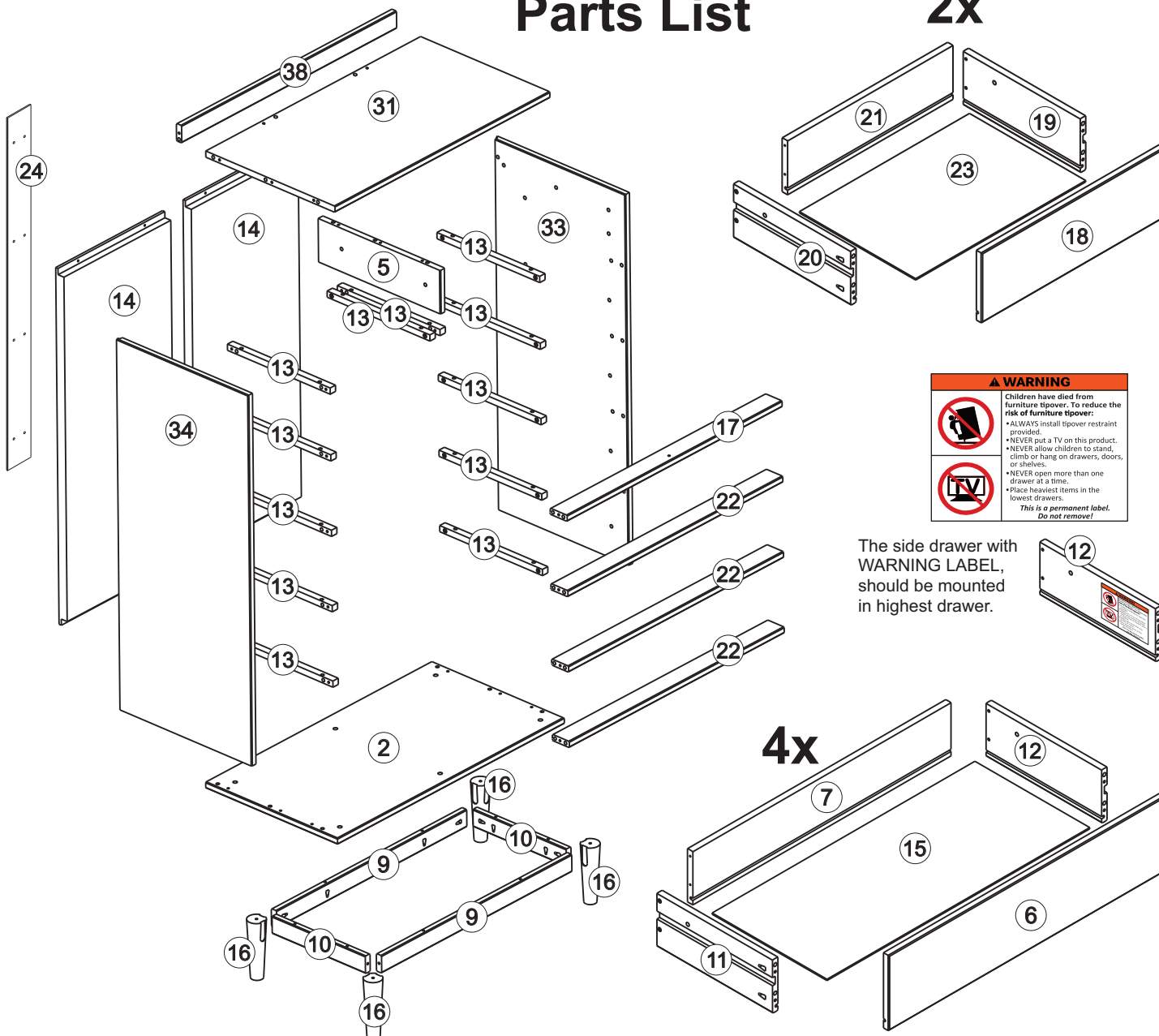


- VII. Power tools should not be used to assemble this product.



Parts List

2x



▲ WARNING

Children have died from furniture tipover. To reduce the risk of furniture tipover:

- ALWAYS install tipover restraint provided.
- NEVER put a TV on this product.
- NEVER allow children to stand, climb or hang on drawers, doors, or shelves.
- NEVER open more than one drawer at a time.
- Place heaviest items in the lowest drawers.

This is a permanent label. Do not remove!

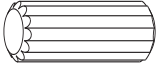
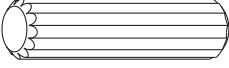







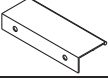
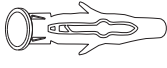

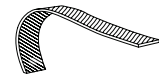

The side drawer with WARNING LABEL, should be mounted in highest drawer.

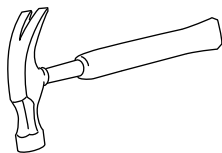
4x

Part#	Description	Qty
2	Base panel	01 pcs
5	Middle panel	01 pcs
6	Large drawer front	04 pcs
7	Large drawer back	04 pcs
9	Bottom front crossbeam	02 pcs
10	Bottom side crossbeam	02 pcs
11	Large left drawer side	04 pcs
12	Large right drawer side	04 pcs
13	Drawer runner	12 pcs
14	Back panel	02 pcs
15	Large drawer bottom	04 pcs
16	Leg	04 pcs

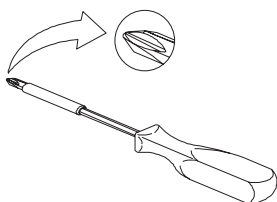
Part#	Description	Qty
17	Front upper crossbeam	01 pcs
18	Drawer front	02 pcs
19	Right drawer side	02 pcs
20	Left drawer side	02 pcs
21	Drawer back	02 pcs
22	Front crossbeam	03 pcs
23	Drawer bottom	02 pcs
24	Back lock	01 pc
31	Top panel	01 pcs
33	Right side panel	01 pcs
34	Left side panel	01 pcs
38	Top crossbeam	01 pcs

Hardware List

A		Ø8*20mm	Wood dowel	24 pcs
B		Ø8*30mm	Wood dowel	85 pcs
C		Ø3,0*12mm	Screw	20 pcs
D		Ø4,0*25mm	Screw	24 pcs
E		Ø4,0*30mm	Screw	79 pcs
F		Ø4,0*40mm	Screw	15 pcs
G		Ø7,0*70mm	Screw	04 pcs
H		-	Hex Key	01 pc
I		-	Glue	01 pc
J		-	Handle	10 pcs
K		-	Ø6mm	01 pc
L		-	Washer	02 pcs
M		-	Wall anchor	01 pc
N		Ø3,5*20mm	Screw	16 pcs



Hammer recommended for assembly
(not included)

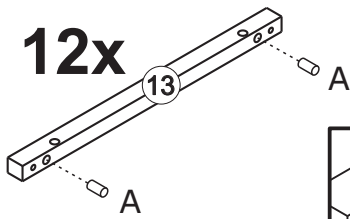


Philips head screwdriver required for assembly
(not included)

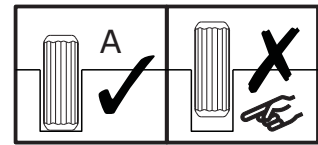
*The hardware quantities listed above are required for proper assembly.
Some extra hardware may also have been included.*

Step 1

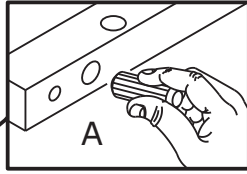
12x



Attention to the
dowel size:
Ø8*20mm

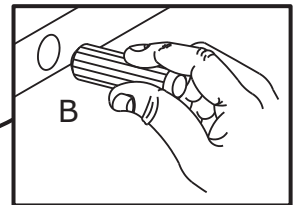
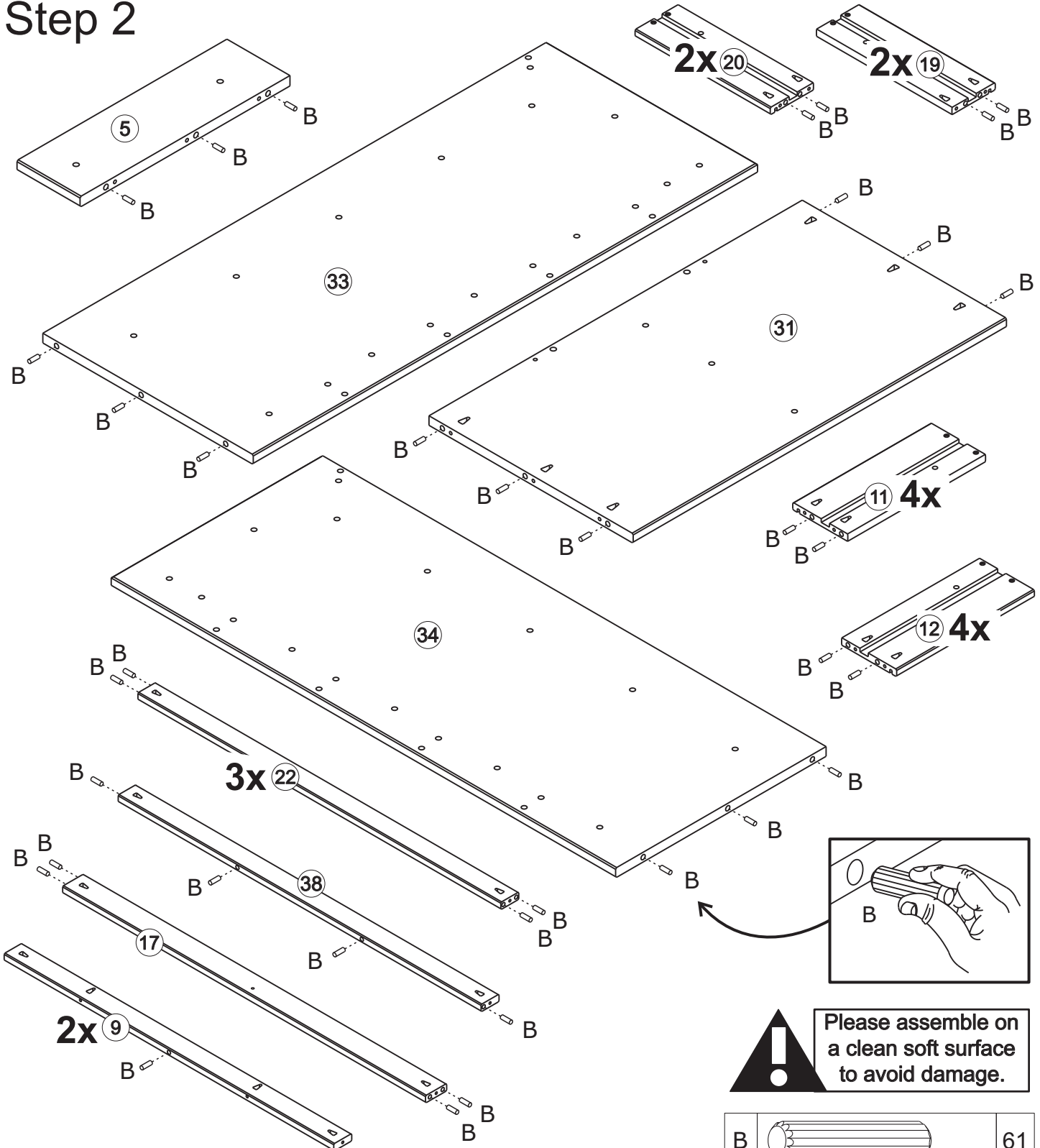


Insert wood dowel
(A) and glue (I) into part (13).



A		Ø8*20mm	24
I			01

Step 2

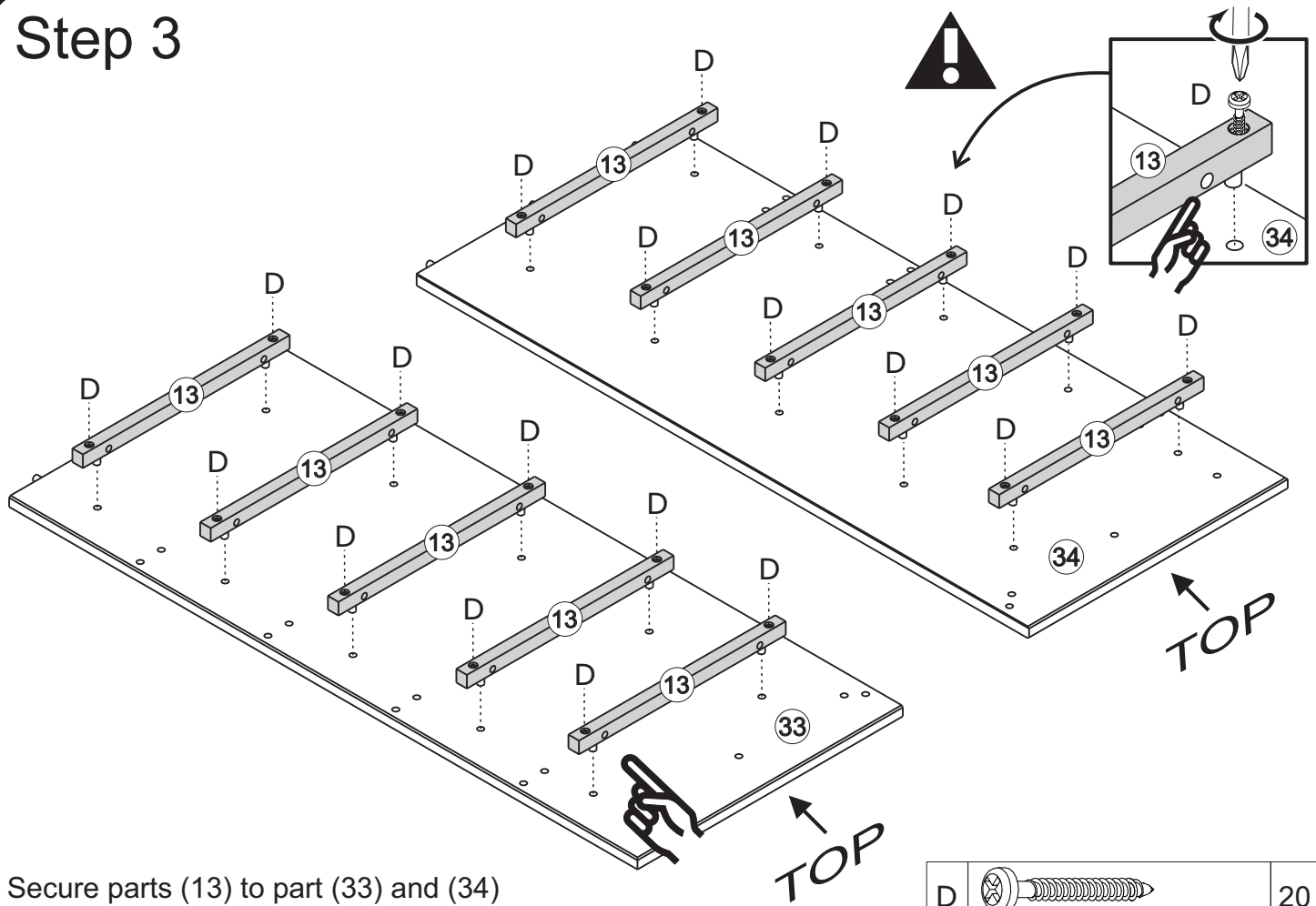


Please assemble on
a clean soft surface
to avoid damage.


Insert wood dowel (B) and glue (I) into part
(5), (9), (11), (12), (17), (19), (20), (22), (31), (33), (34) and (38).

B		Ø8*30mm	61
I			01

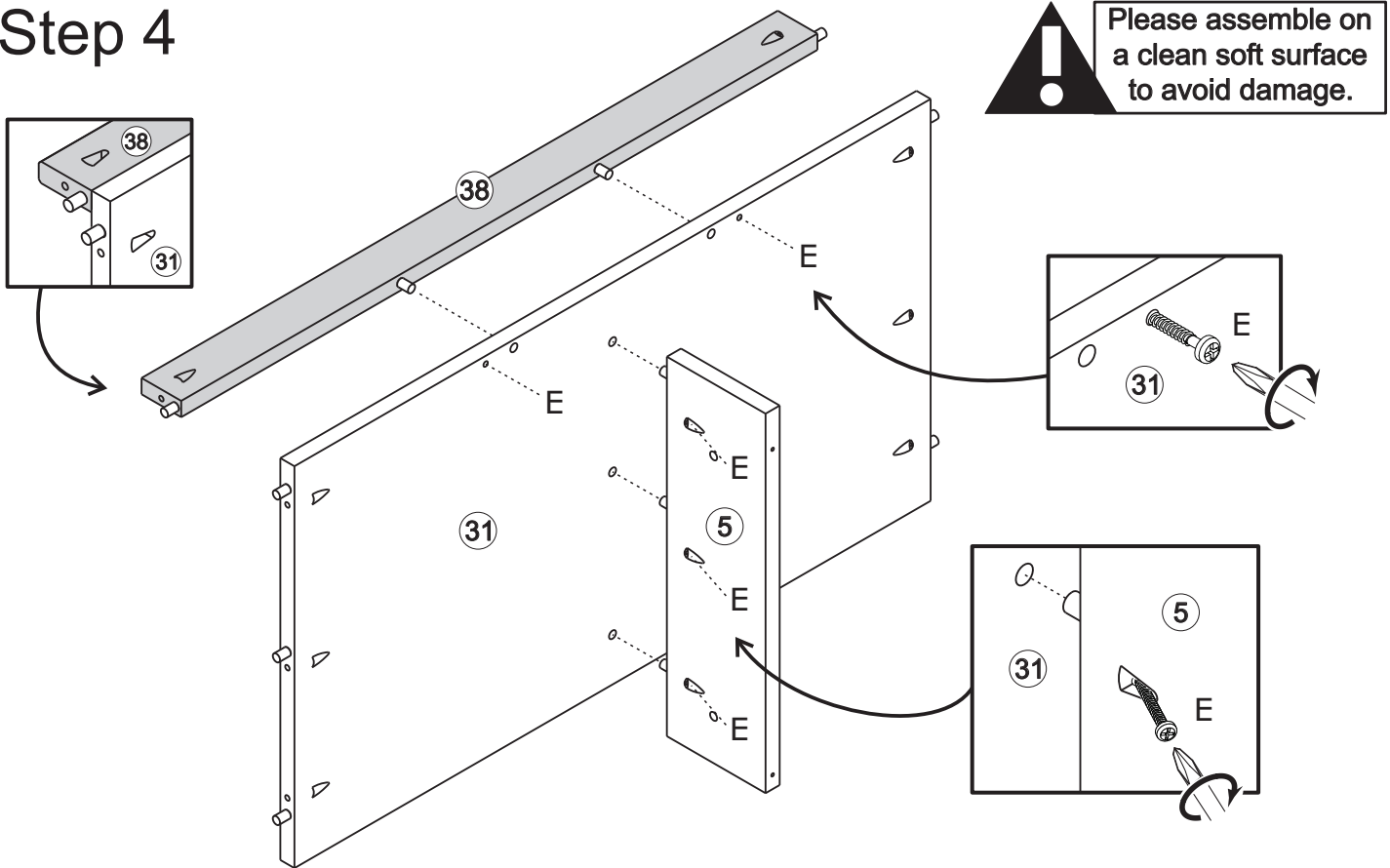
Step 3



Secure parts (13) to part (33) and (34) with screw (D) and screwdriver (not included).


D		20
		Ø4,0*25mm

Step 4

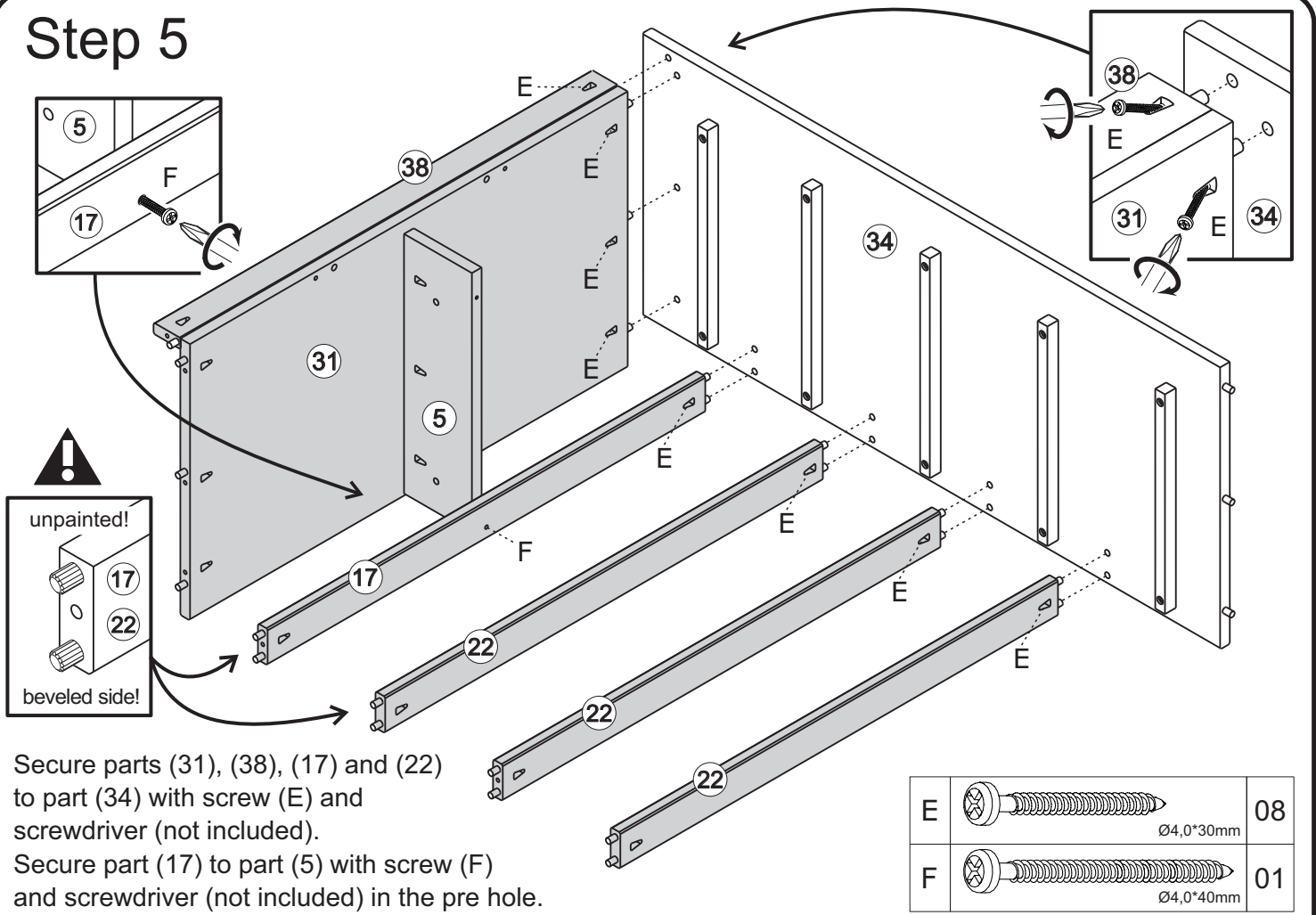


! Please assemble on a clean soft surface to avoid damage.

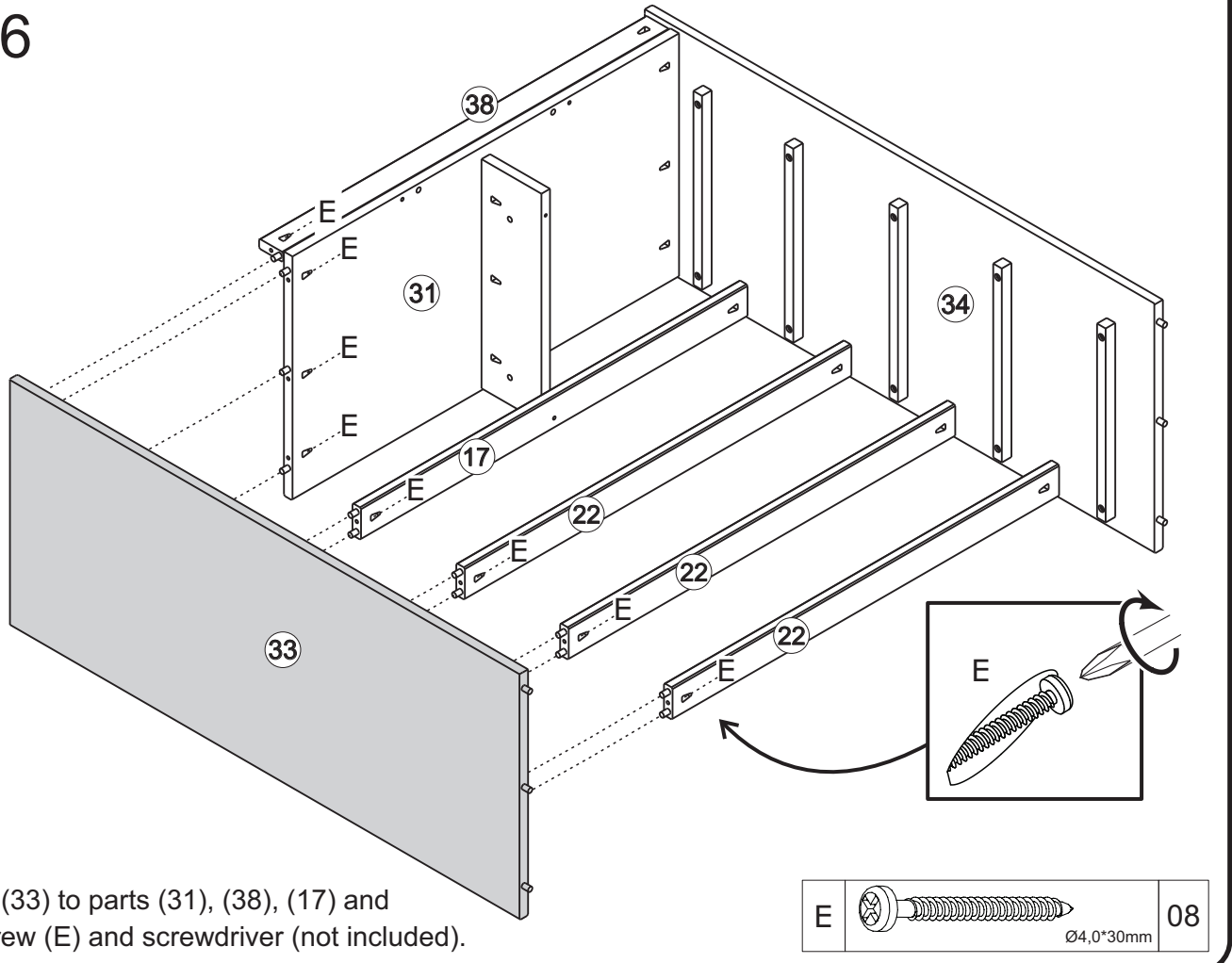
Secure part (38) to part (31) with screw (E) and screwdriver (not included).
Secure part (5) to part (31) with screw (E) and screwdriver (not included).

E		05
		Ø4,0*30mm

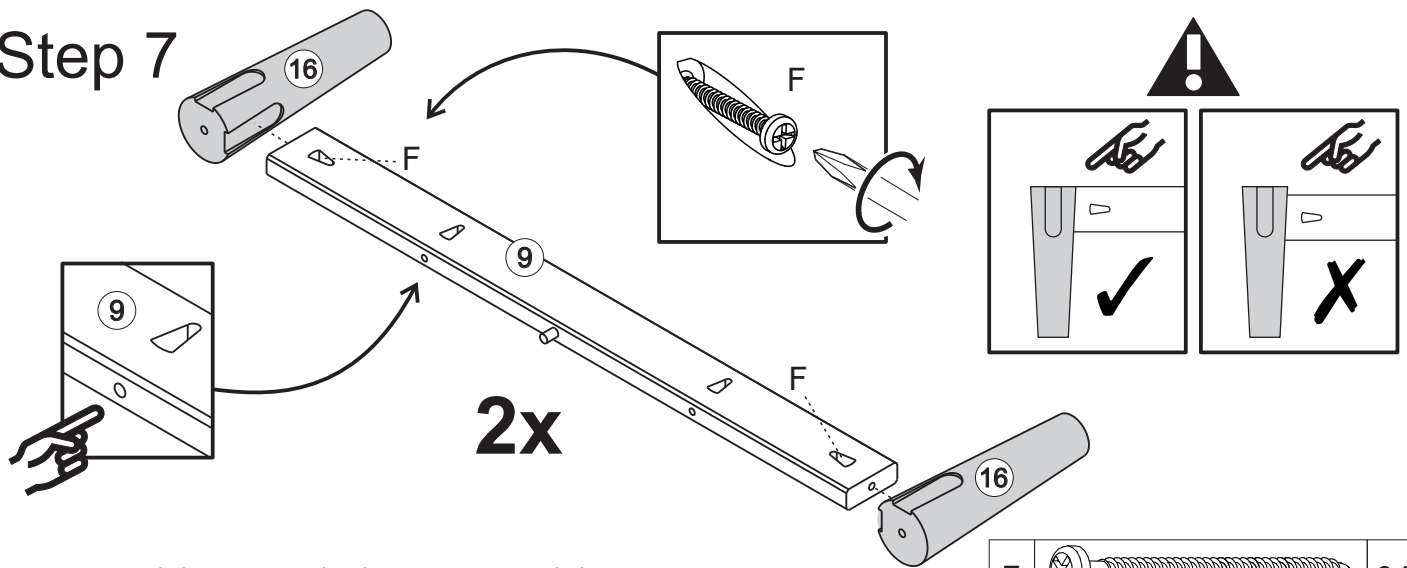
Step 5



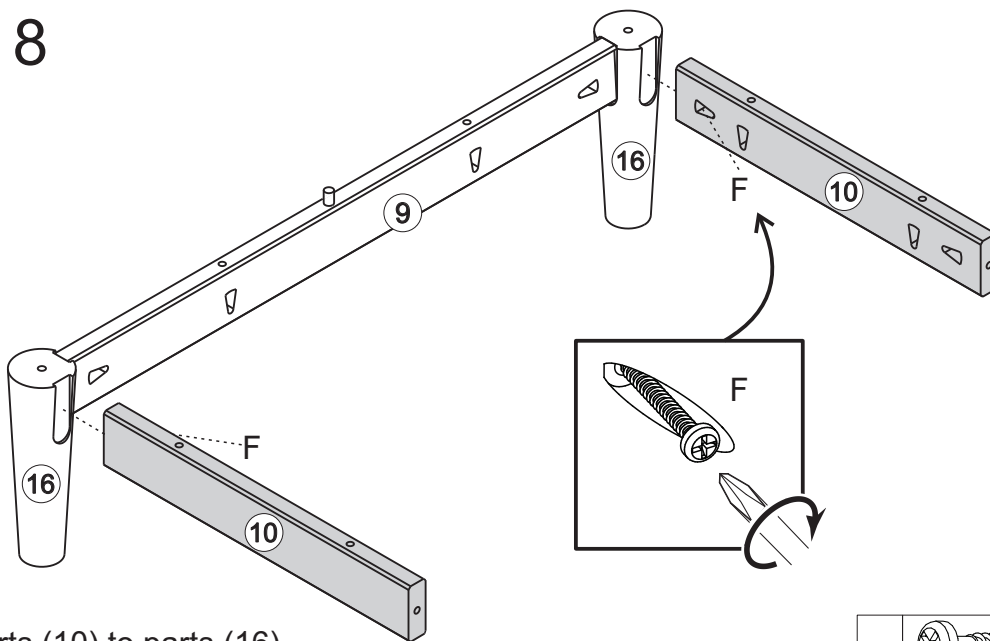
Step 6



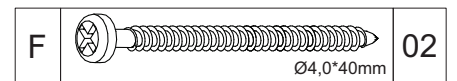
Step 7



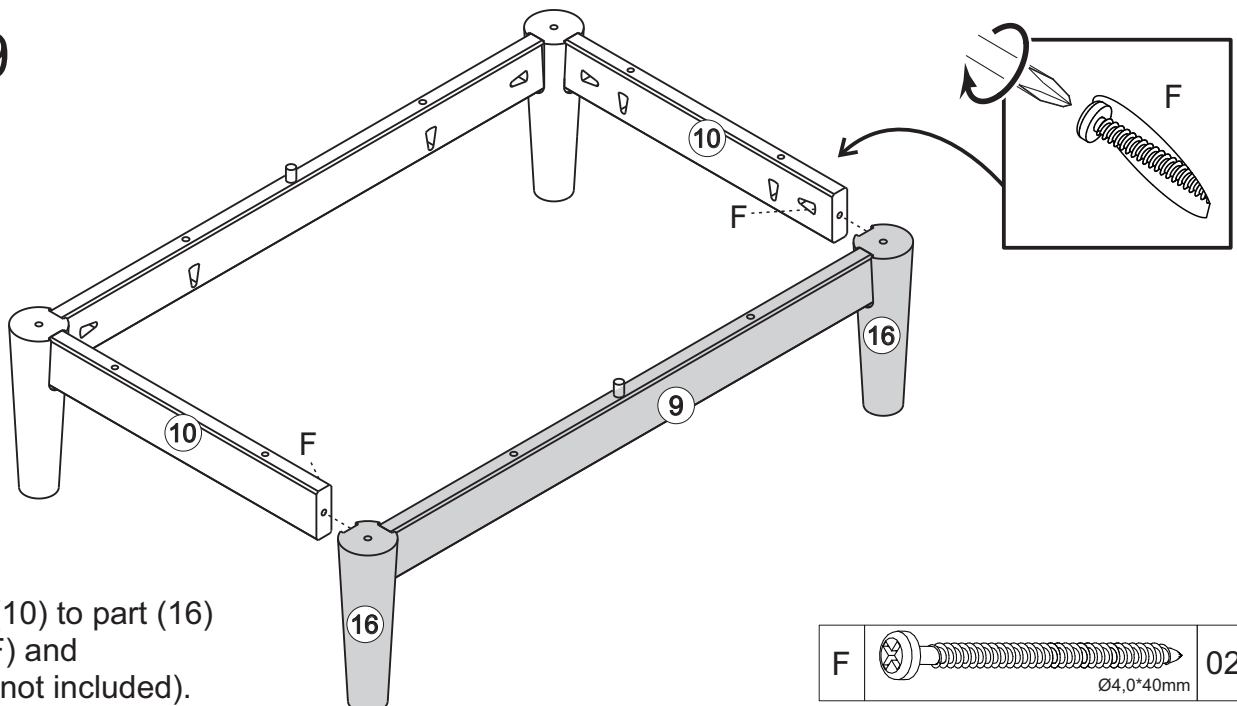
Step 8



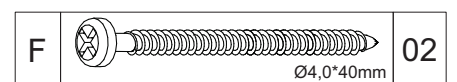
Secure parts (10) to parts (16), with screw (F) and screwdriver (not included).



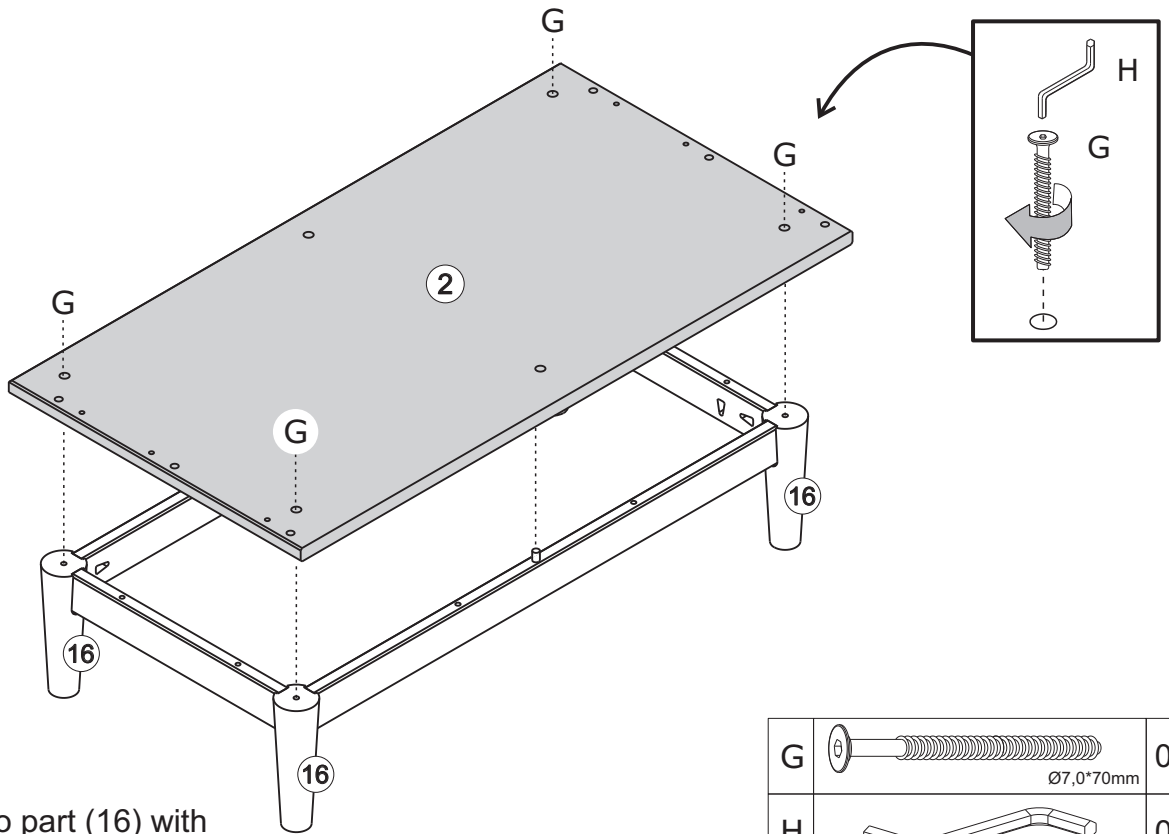
Step 9





Secure part (10) to part (16) with screw (F) and screwdriver (not included).



Step 10

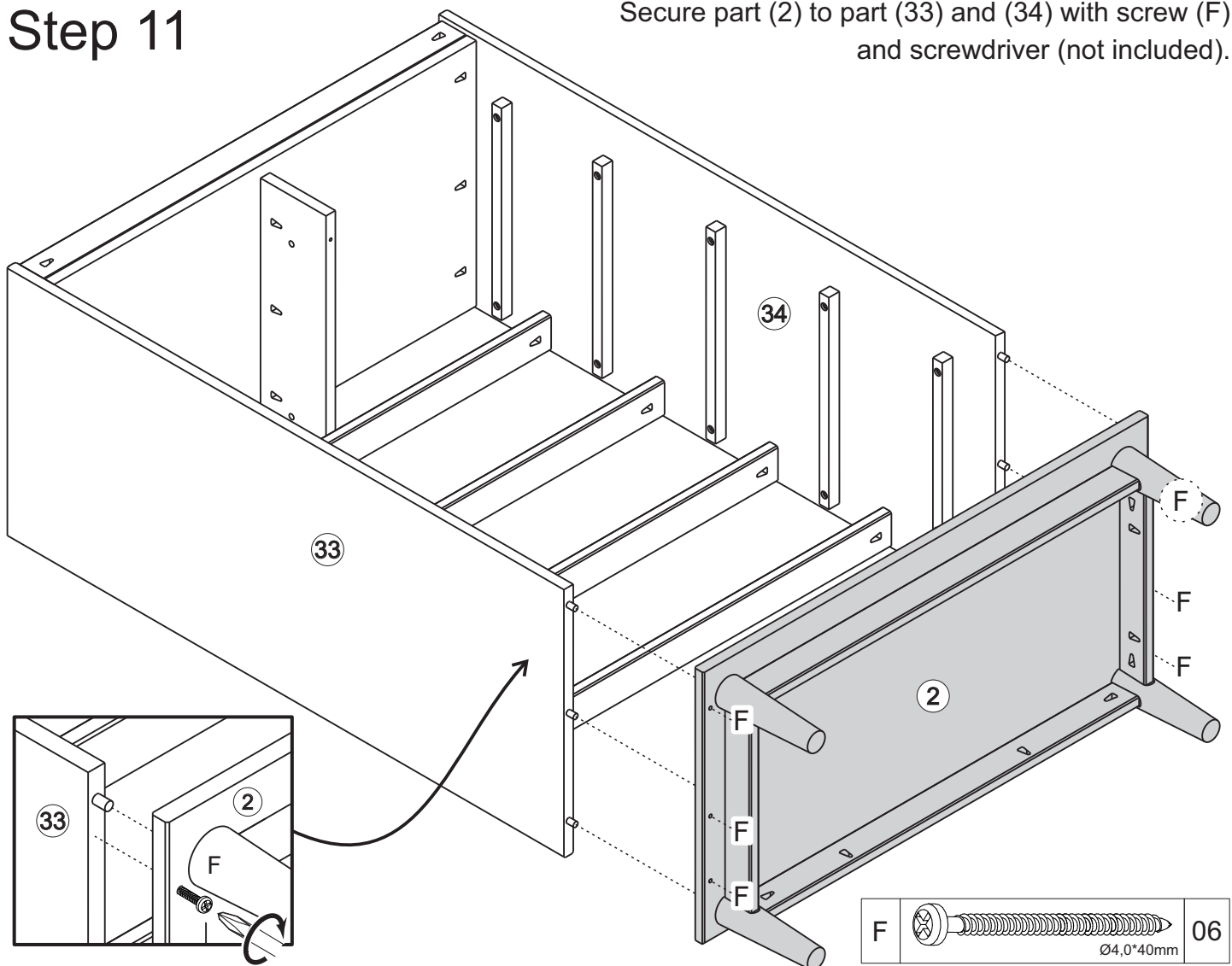



Secure part (2) to part (16) with screw (G) and hex key (H).

G	 $\text{Ø}7,0 \times 70\text{mm}$	04
H		01

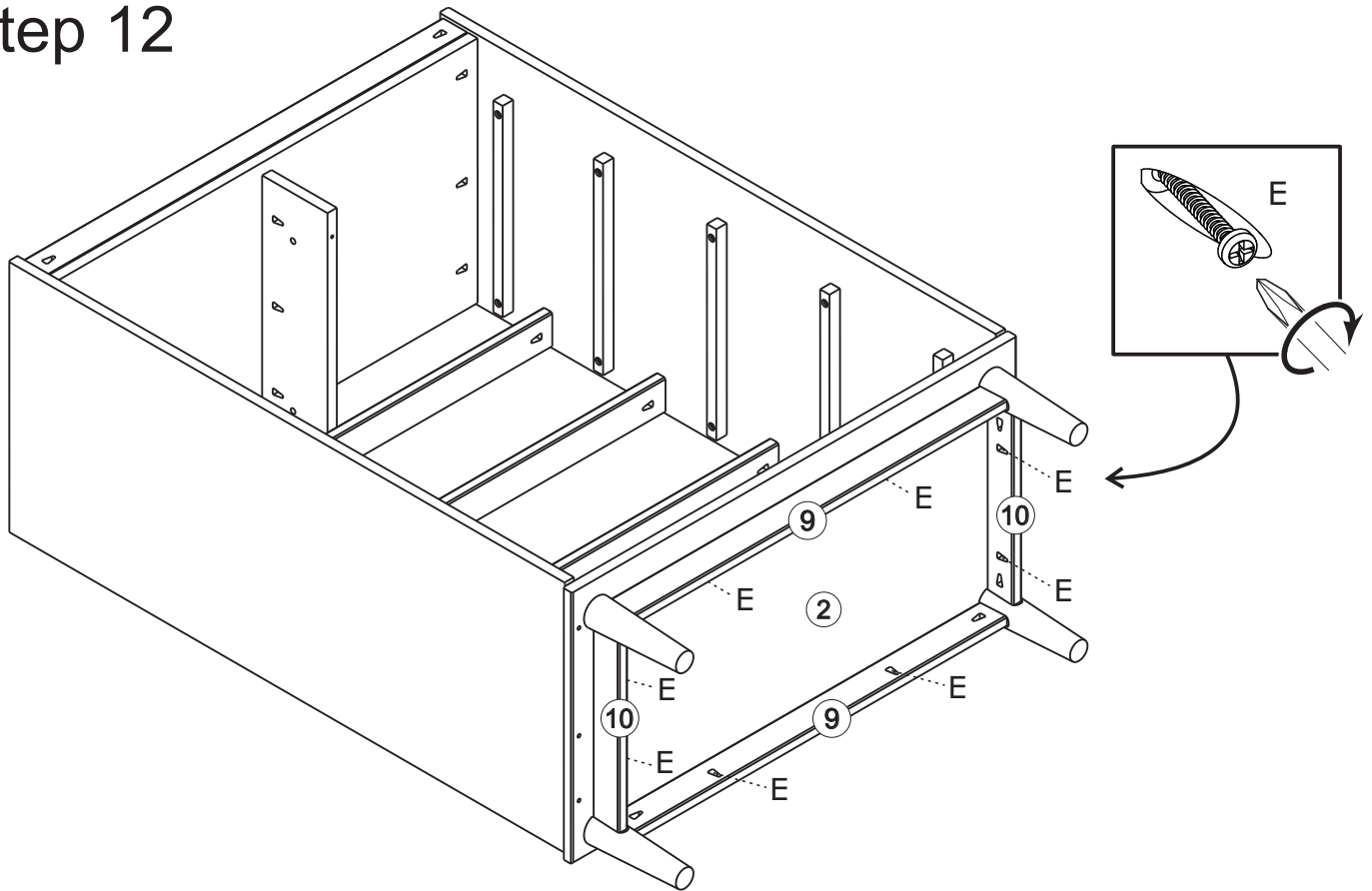
Step 11

Secure part (2) to part (33) and (34) with screw (F) and screwdriver (not included).

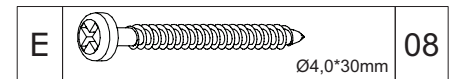


F	 $\text{Ø}4,0 \times 40\text{mm}$	06
---	--	----

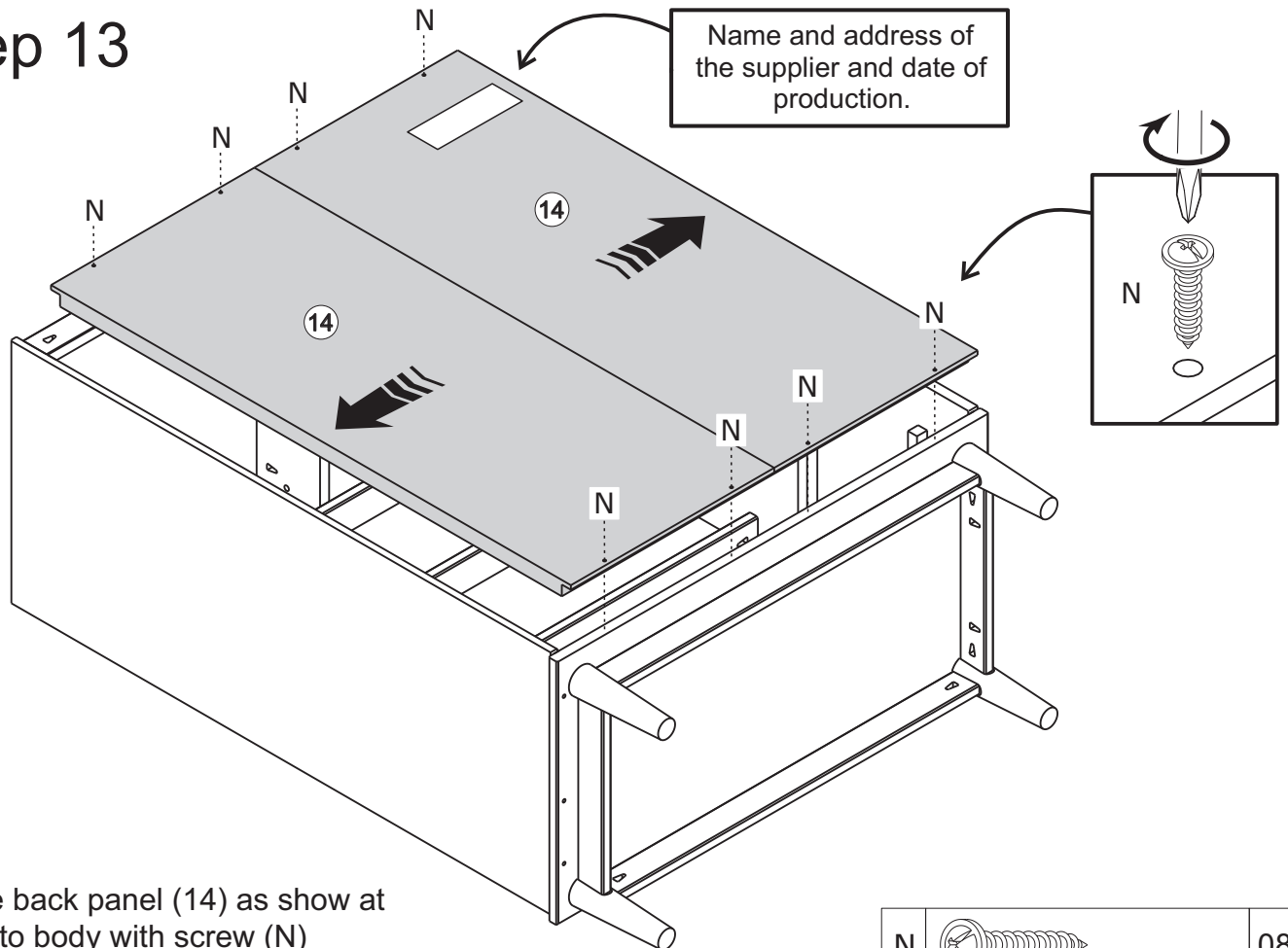
Step 12



Secure parts (9) and (10) to part (2) and attach with screw (E) and screwdriver (not included).

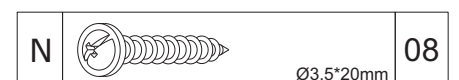


Step 13

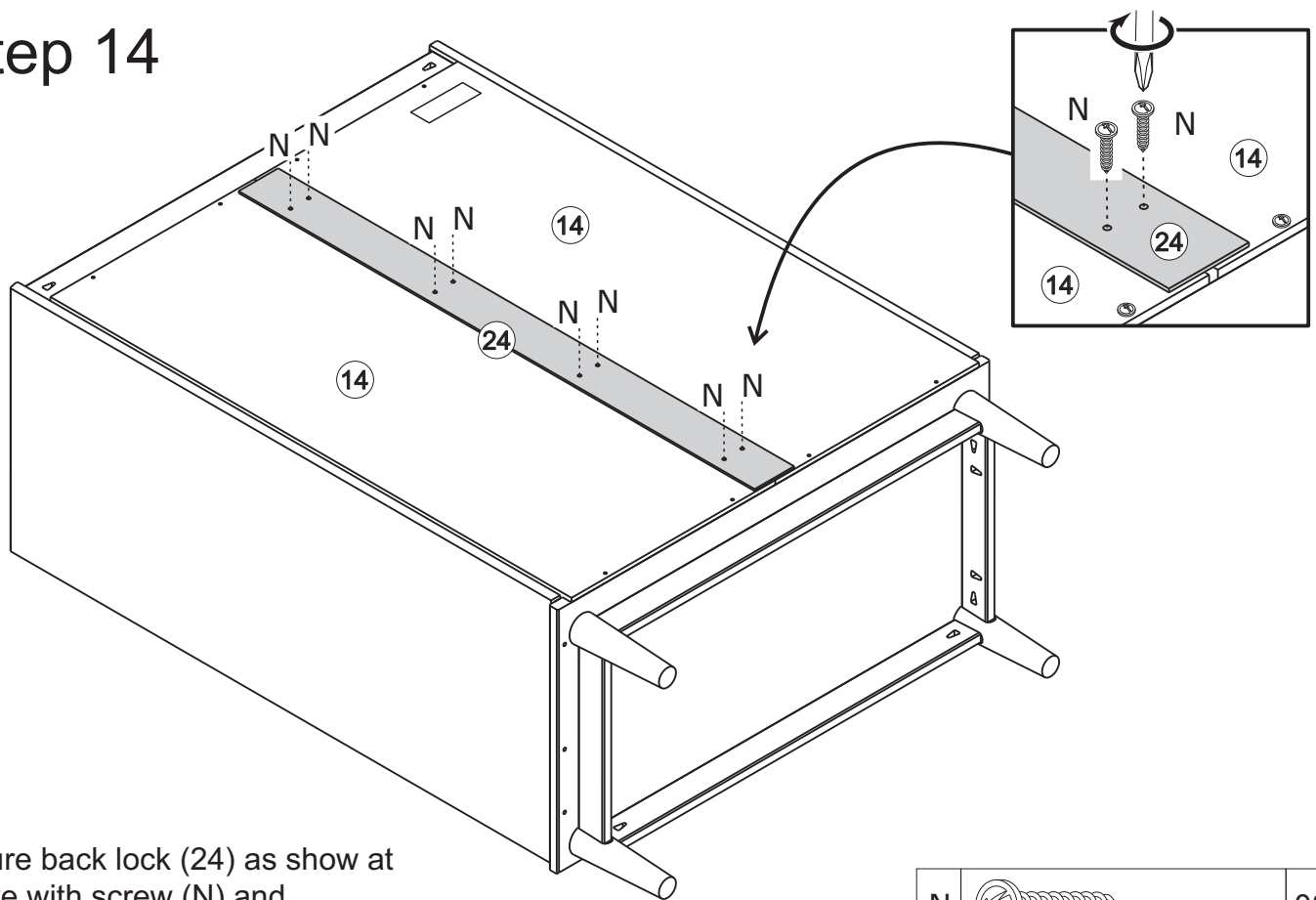


Name and address of the supplier and date of production.

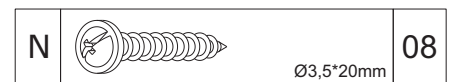
Secure back panel (14) as show at above to body with screw (N) and screwdriver (not included).



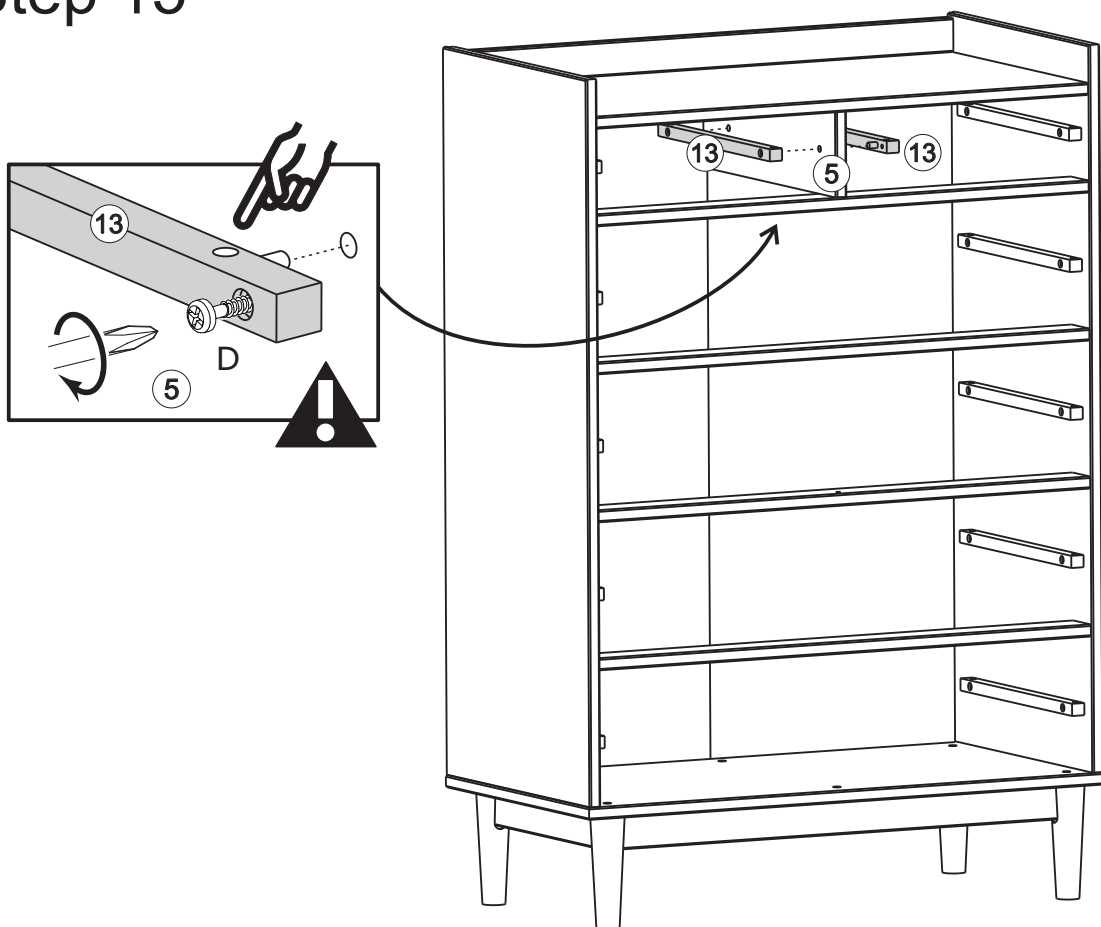
Step 14



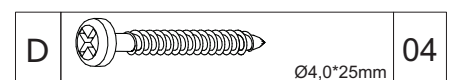
Secure back lock (24) as show at above with screw (N) and screwdriver (not included).



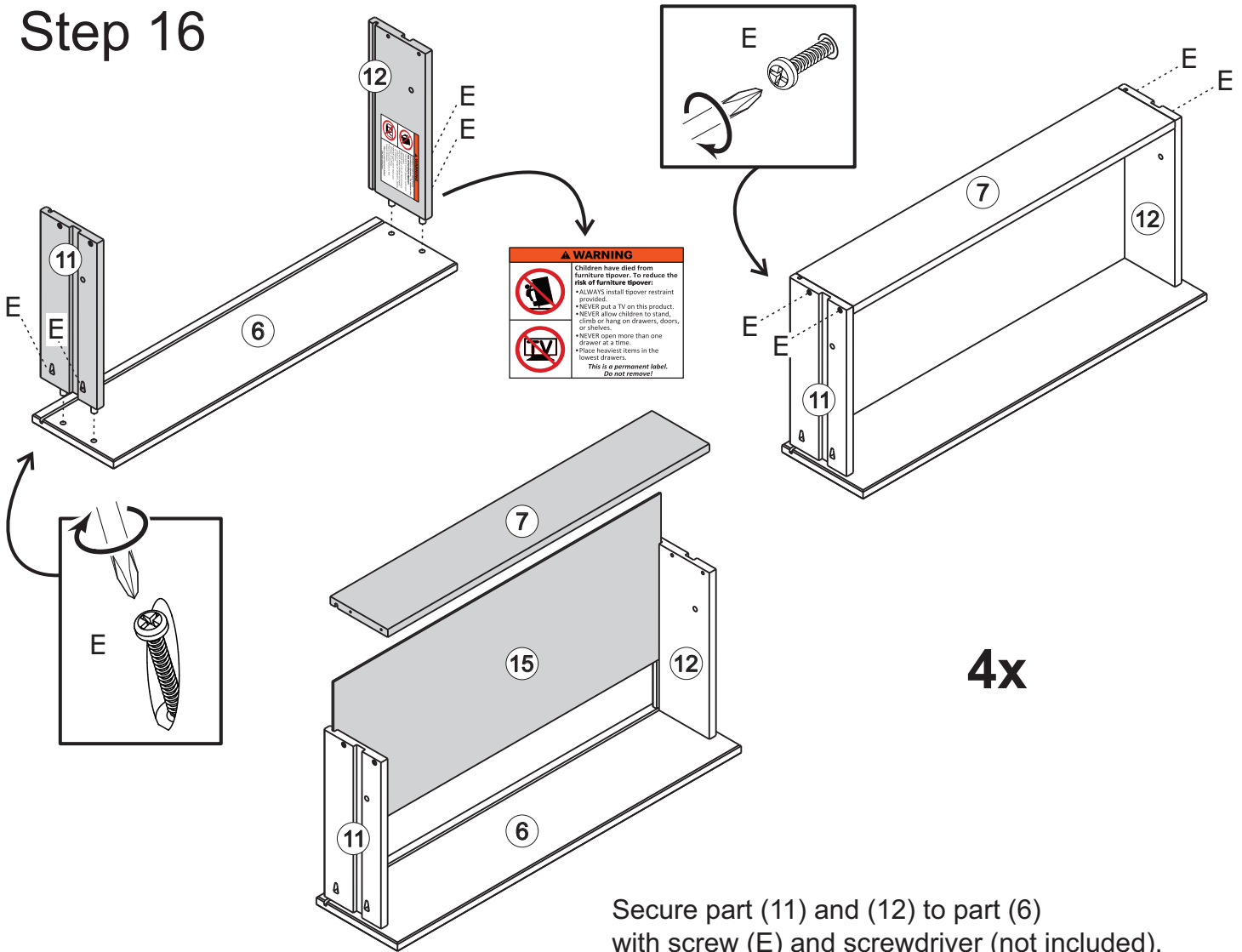
Step 15



Secure parts (13) to part (5) with screw (D) and screwdriver (not included).




Step 16

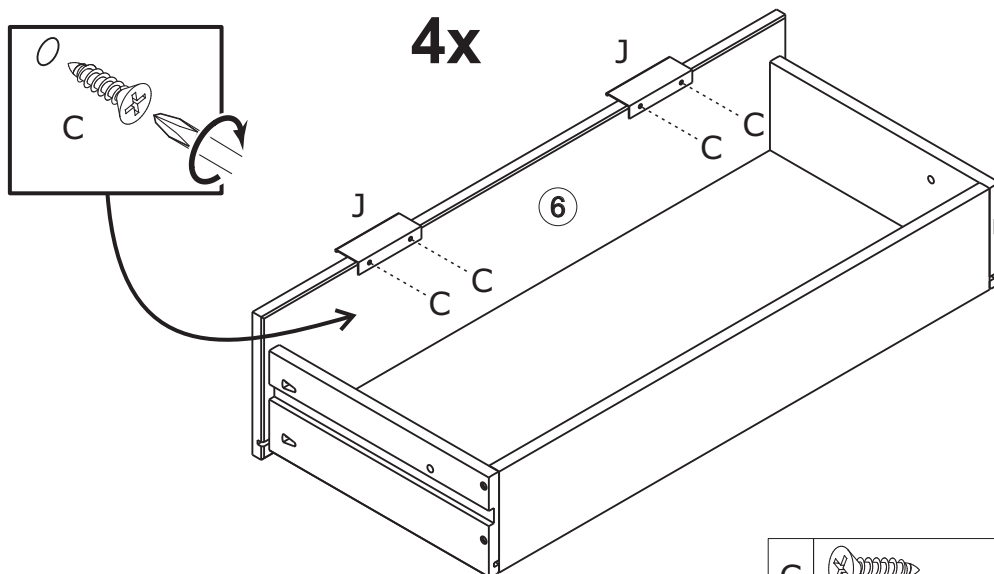


4x


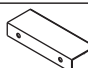
Secure part (11) and (12) to part (6) with screw (E) and screwdriver (not included). Insert part (15) and (7) between parts (11) and (12). Secure part (7) with screw (E) and screwdriver (not included).

E		32
Ø4,0*30mm		

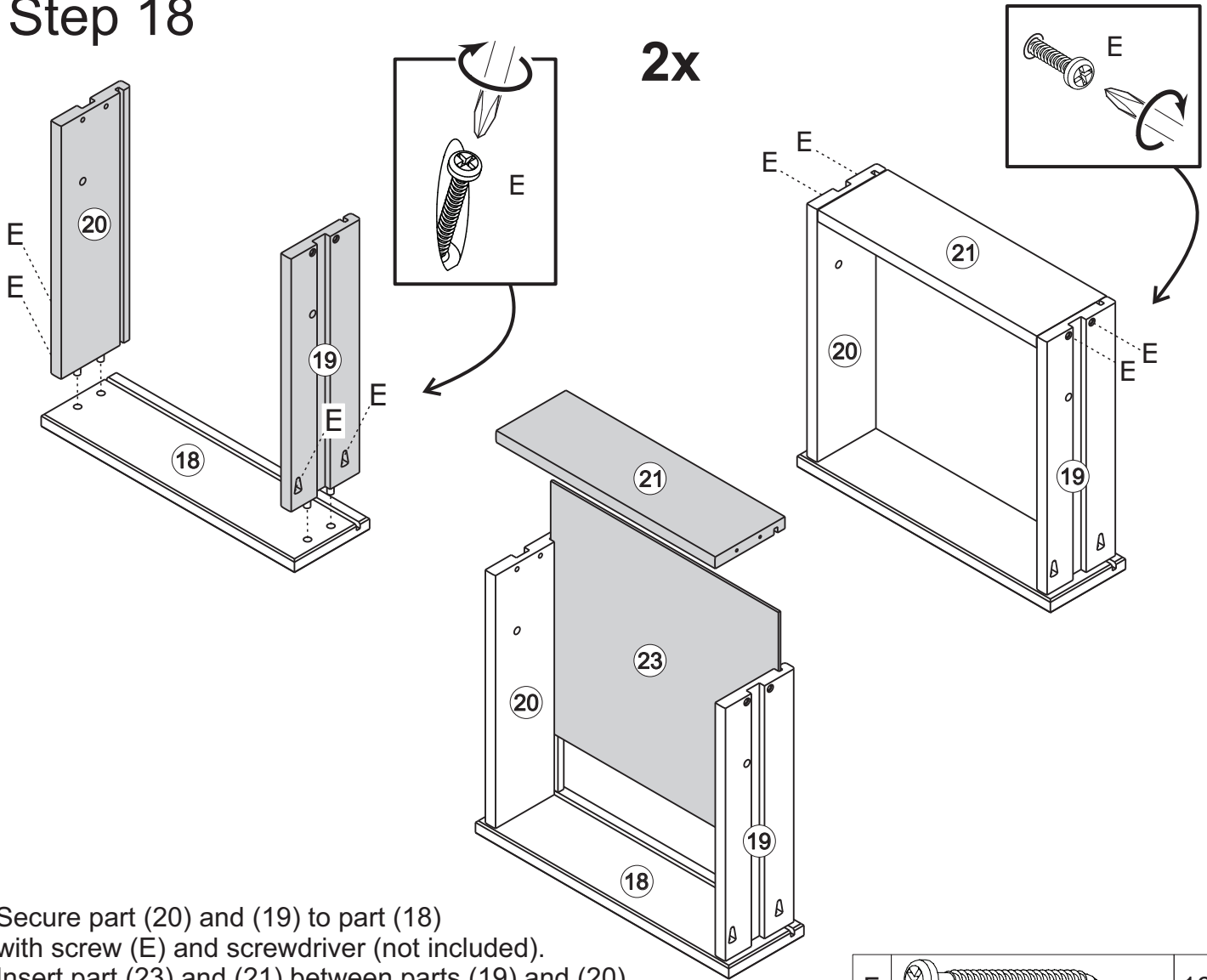
Step 17




Secure handle (J) with screw (C) and screwdriver (not included), in the pre holes on the drawer front.

C		16
Ø3,0*12mm		
J		08

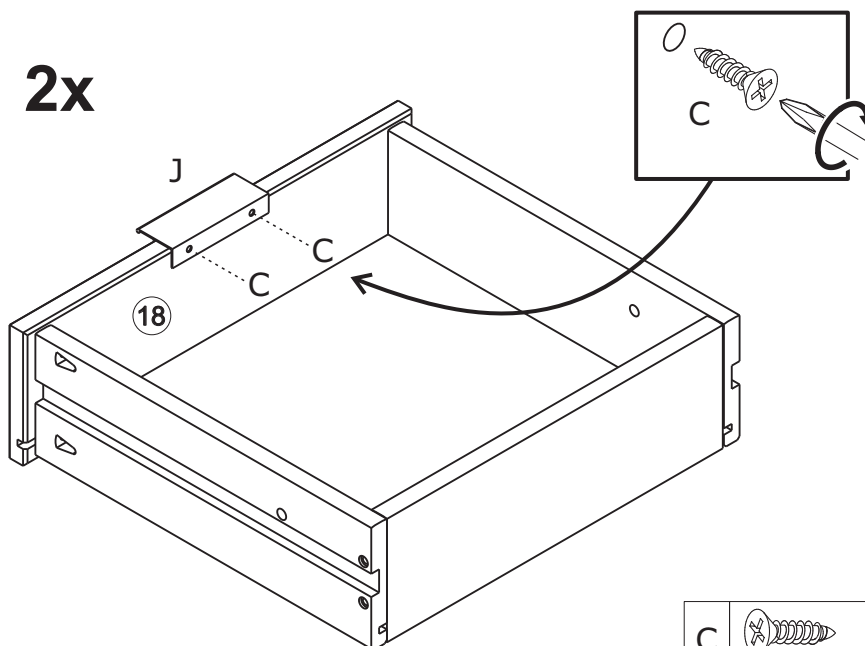
Step 18




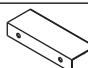
Secure part (20) and (19) to part (18) with screw (E) and screwdriver (not included).
 Insert part (23) and (21) between parts (19) and (20).
 Secure part (21) with screw (E) and screwdriver (not included).

E		Ø4,0*30mm	16
---	---	-----------	----

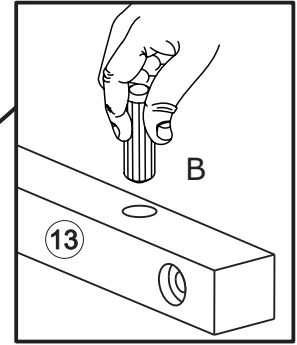
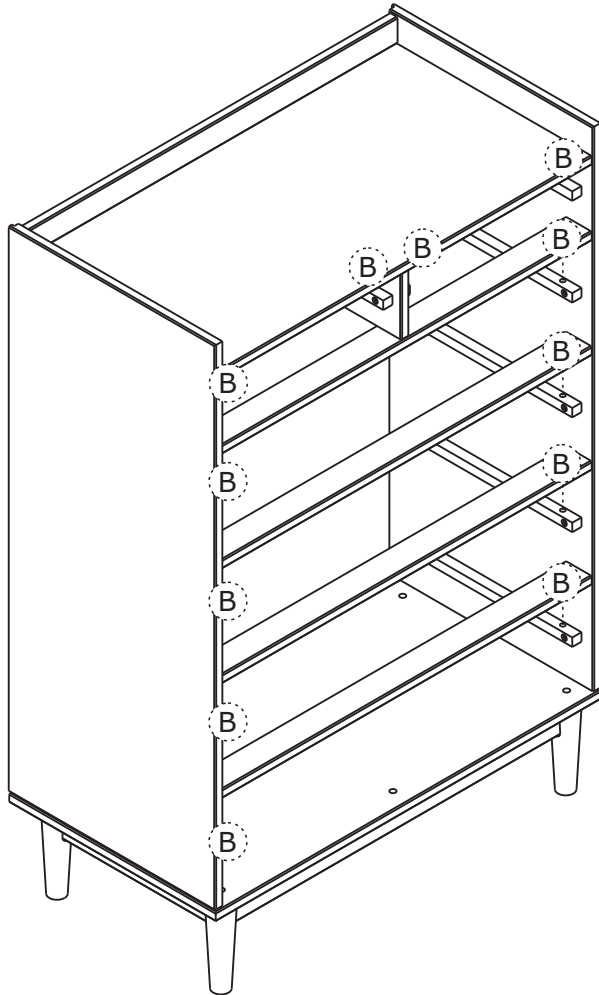
Step 19



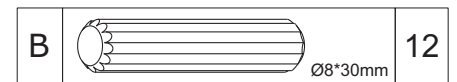
Secure handle (J) with screw (C) and screwdriver (not included), in the pre holes on the drawer front.

C		Ø3,0*12mm	04
J			02

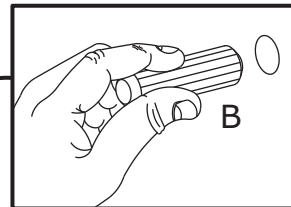
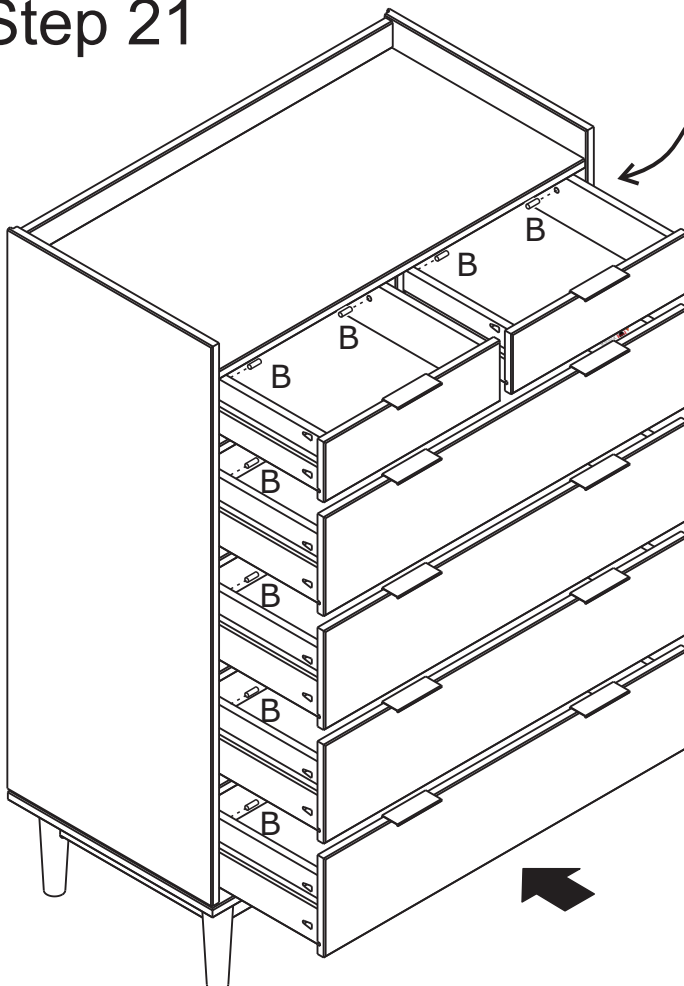
Step 20



Insert wood dowel (B) into part (13) to be the stop of the drawer.



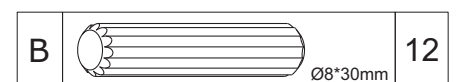
Step 21



Drawer Stop
Make sure dowel is flush with panel. Insert wood dowel (B) on the inside of all drawers while drawer is inside the unit.

The side drawer with **WARNING LABEL**, should be mounted in highest drawer.

▲ WARNING	
	<p>Children have died from furniture tipover. To reduce the risk of furniture tipover:</p> <ul style="list-style-type: none"> • ALWAYS install tipover restraint provided. • NEVER put a TV on this product. • NEVER allow children to stand, climb or hang on drawers, doors, or shelves. • NEVER open more than one drawer at a time. • Place heaviest items in the lowest drawers. <p><i>This is a permanent label. Do not remove!</i></p>



Step 22

WARNING

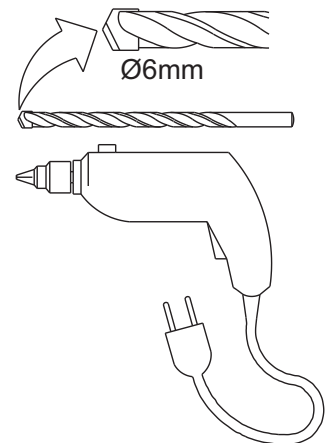
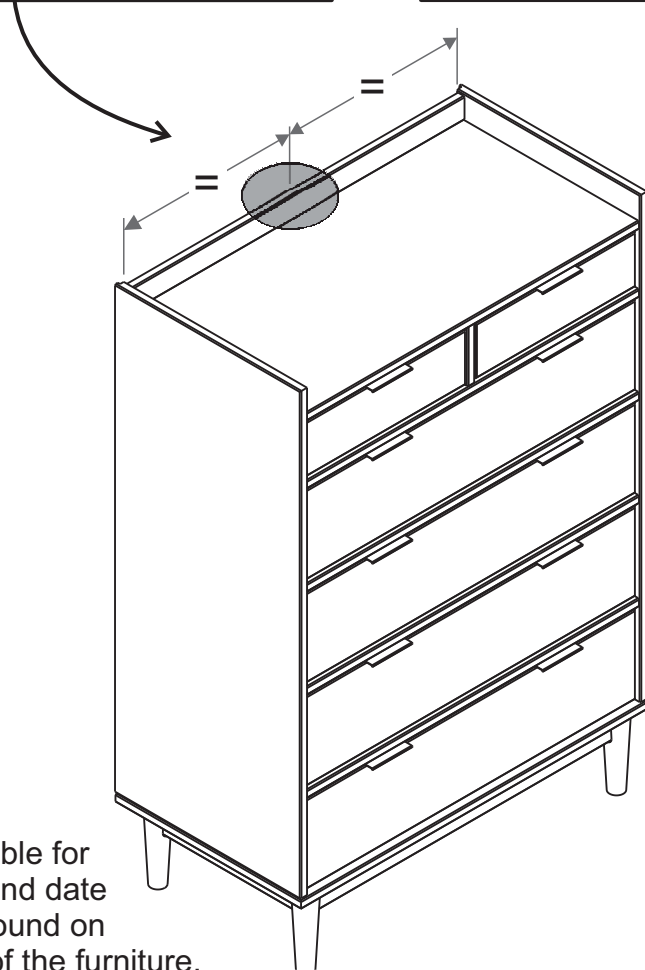
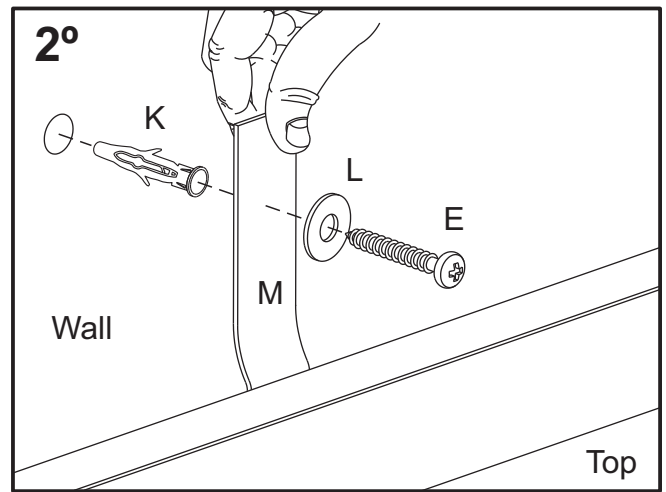
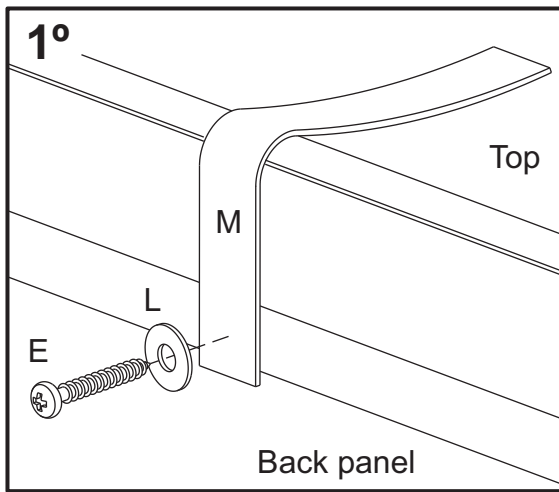
Serious or fatal injuries can occur from furniture tipping over. To prevent the furniture from tipping over we recommend that it is permanently fixed to the wall.

Wall anchor and hardware are included with this product.

Please make sure hardware is suitable for your walls before installing, as different wall materials may require different types of anchors.

Attach screw (E) into washer (L), securing wall anchor (M) at the top middle part (1).

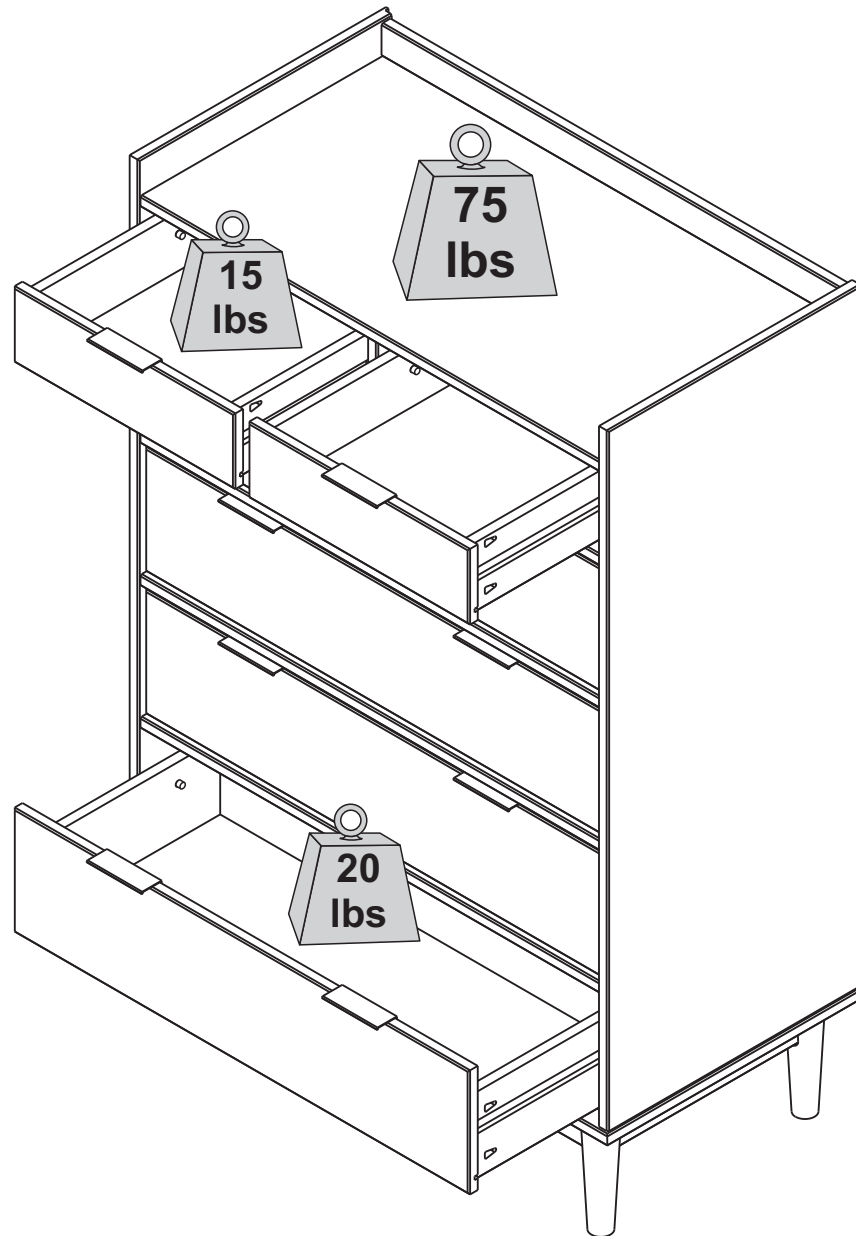
Drill your wall with a 6mm drill (not included) and insert hardware (K), securing wall anchor (M) with washer (L) and screw (E) in the wall.



Name and address information for the manufacturer responsible for the anti-tip hardware and date of production can be found on the label on the back of the furniture.

E	Ø4,0*30mm	02
K		01
L		02
M		01

Step 23



Assembly Complete!

Maintenance Guide

To maintain long term performance and easy gliding of your solid wood drawers, we recommend applying wax to the wooden guide rails.

1. Bee's wax is recommended or Paraffin wax from a standard candle can be used.
2. Apply the wax by rubbing it on the wooden guide rails where there is wood-on-wood contact when opening and closing the drawer. (Wax should be room temperature, do not melt the wax onto the wood)
3. Wax should be applied every few months for the first year and then only when needed after that to keep the drawers sliding smoothly.