

DGC4

4" LED Recessed Gimbal

Product Description

The DGC LED Downlight Gimbal Series offers an Airtight, IC rated gimbal that simplifies challenging lighting installations into easily tailored masterpieces. The high performing light engine with off-board driver allows for more flexible installations and increased lifetime with improved thermal management. The DGC fixture uses a plenum-rated cable connector to link the downlight module to the remote driver box and then pops into place with its adjustable, spring-loaded retention tabs for a secure fit, eliminating the need for a J-box or recessed housing. Directional lighting is now easier than ever with 25° tilt and 360° rotation making the DGC perfect for architectural accents such as living rooms, hallways, stairways and corridors.

Construction

- Fully enclosed aluminum housing
- Adjustable, spring loaded retention tabs ensure secure fixture retention
- Certified for direct contact with insulation

Optical System

- Available in CCTs of 3000 Kelvin
- COB maintains 4-step MacAdams with $\text{duv} < \pm 0.003$
- 90+ CRI and an $R9 > 50$
- TIR optic provides smooth, uniform light with a 33° beam angle
- 25° Tilt with 360° rotation of the housing

Electrical

- 120VAC 50/60Hz input to driver
- Off-board driver/junction box includes three 1/2" KOs and three-port poke-in connectors
- Dimmable to less than 5% with compatible TRIAC dimmers
- Operating temperature rating of 0°F to 120°F (-18°C to 49°C)
- L70 Lifetime rated for greater than 54,000 hours
- LM-79, LM-80 testing performed in accordance with IESNA standards

Finish

- White or Oil-Rubbed Bronze powder coat finish

Mounting and Installation

- Spring loaded retention arms allow for easy installation into ceilings up to 1" thick with no need for a recessed housing
- Extension power cables (10', 20') available

Listings

- LM-79, LM-80 testing performed in accordance with IESNA standards
- UL/cUL1598 Listed for damp locations
- Certified Type IC for direct contact with insulation
- Airtight per ASTM E283
- RoHS Compliant
- Meets FCC Part 15, Subpart B, Class B standards for conducted and radiated emissions
- LED lumen maintenance: $L70(9k) > 54,000$ hrs

Warranty

- 5-year limited system warranty standard
- Warranty does not cover product failure due to an overvoltage event (power surge)
- For installations where power surge may be possible, NICOR recommends installing additional surge protection at the electrical distribution panel

Project

Catalog

Type

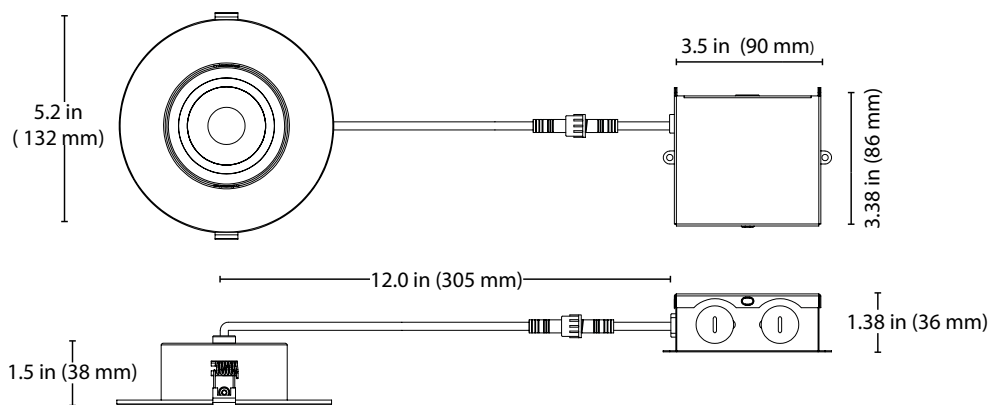
Date



DGC4
9W
LED Recessed Gimbal



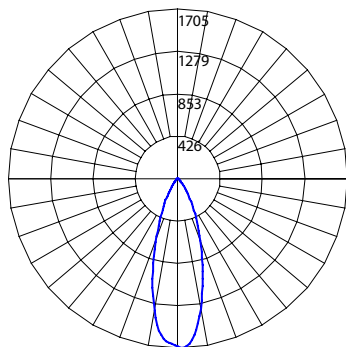
Dimensions



Photometric Data

DGC4 3000K

Input Voltage (VAC)	120V
System Level Power (W)	8.9
Delivered Lumens (Lm)	756
System Efficacy (Lm/W)	84.9
Correlated Color Temp (K)	3014
Color Rendering Index (CRI)	95
Beam Angle	33°
Spacing Criteria	0.57



Intensity Summary (Candle Power)

Angle	Mean CP
0	1700
5	1638
15	973
25	436
35	150
45	34
55	19
65	9
75	4
85	0
90	0

CCT Data Multiplier

4000K	1.093
-------	-------

Cone of Light Tabulation

Mounted height (Feet)	Footcandles Beam Center	Diameter (Feet)
4	106.8	2.4
6	47.5	3.6
8	26.6	4.8
10	16.8	6.0
12	11.3	7.2
14	8.1	8.4
16	6.0	9.6

Zonal Lumen Summary

Zone	Lumens	% of Luminaire
0-30	604	79.9%
0-40	695	91.8%
0-60	739	97.9%
0-90	756	100%
90-180	0	0%
0-180	756	100%

Performance Data - Round

CCT Setting	Lumens	Watts	Lumens/Watt
3000K	756	8.9	84.9

Recommended Dimmers*

Legrand Adorne softap DTP703TU
 Lutron Caseta PD-6WCL
 Lutron Caseta PD-10XN
 Lutron Skylark SELV 300P
 Leviton Decora 6672

*Not a complete list.
 Check compatibility before installation.

Ordering Information

Example: DGC421203KRDWH

Series	Version	Input Voltage	CCT's	Shape	Trim Color
DGC4	2 (Version 2)	120 (VAC)	3K (3000k)	RD (Round)	WH (White)
					OB (Oil-Rubbed Bronze)

Specifications and dimensions subject to change without notice.

Accessories

4" Rough In Template	ROUGHIN-TEMPLATE-4
10' Extension Cable	DRIVER-EXTCABLE-10
20' Extension Cable	DRIVER-EXTCABLE-20