

# KALLISTA®

## KALLISTA Toilet Seat P70313-PB

### Features

- High density molded wood construction
- High-quality solid-brass hinges for durability and reliability
- Includes slow-close hinges
- Ergonomically contoured for maximum comfort
- Elongated shape
- Polished Brass finish coordinates with Unlacquered Brass (ULB) and French Gold (AF) finishes

### Recommended Products/Accessories

P70310-00 Two-Piece High-Efficiency Toilet, Less Seat



### Codes/Standards

None Applicable


### KALLISTA® Five-Year Limited Warranty

See website for detailed warranty information.

### Available Colors/Finishes

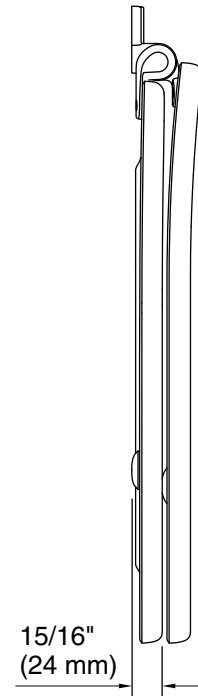
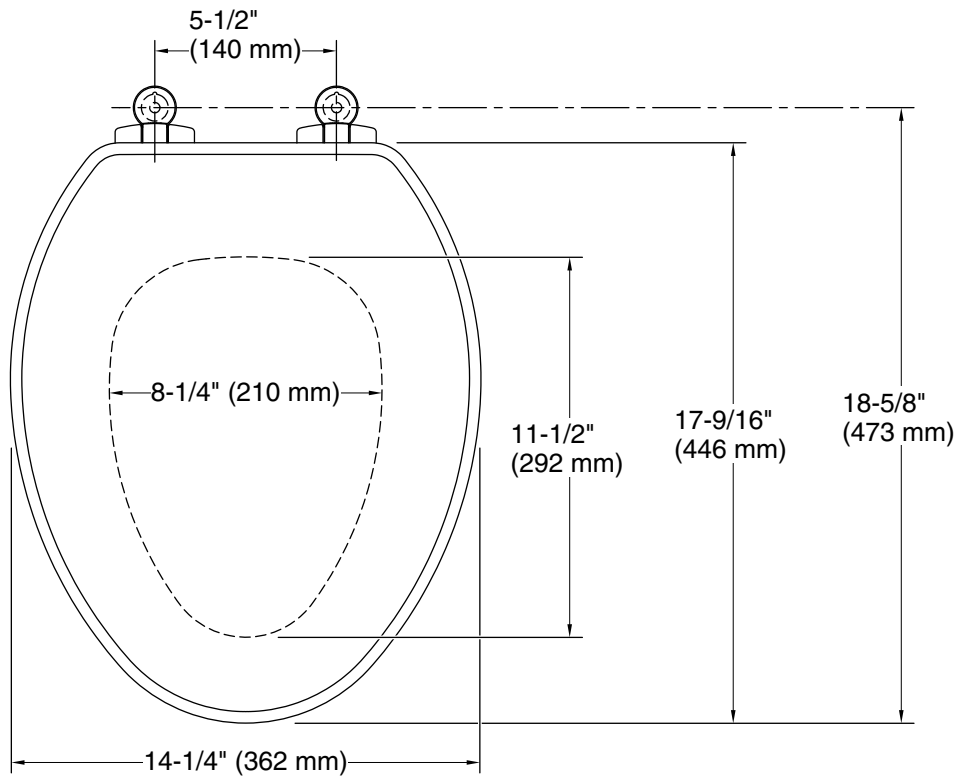
*Color tiles intended for reference only.*

Color	Code	Description
-------	------	-------------

	0	Stucco White
---	---	--------------

# KALLISTA

KALLISTA  
Toilet Seat  
P70313-PB



## Technical Information

All product dimensions are nominal.

Seat shape type: Elongated

Seat front type: Closed

Seat-mounting holes: 5-1/2" (140 mm)

## Pressure/fixture Supply Requirements

1-888-4-KALLISTA (1-888-452-5547)

Kallista reserves the right to make revisions without notice to product specifications.

For the most current Specification Sheet, go to [www.kallista.com](http://www.kallista.com).

3-2-2026 20:02 - US