

# MEADOW CONSOLE TABLE

ASSEMBLY INSTRUCTIONS

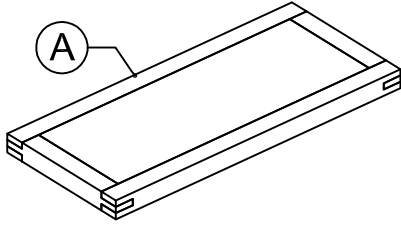


## PARTS AND FITTING PACKAGING DETAIL

### CARTON

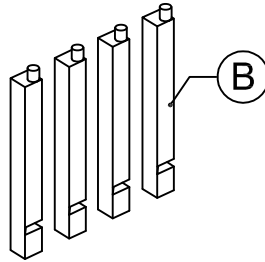
A. TOP

1 PC



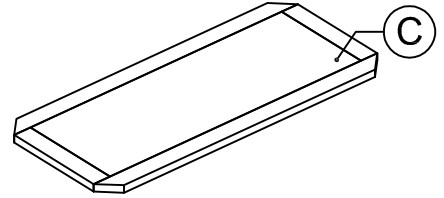
B. LEGS

4 PCS

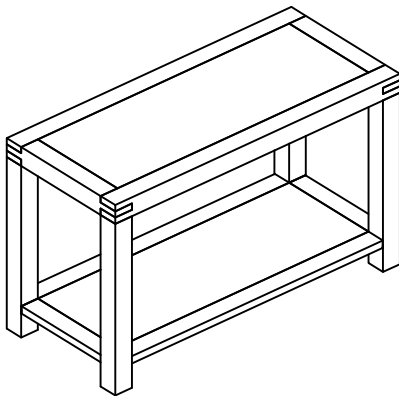


C. SHELF

1 PC



## MEADOW CONSOLE TABLE ASSEMBLED

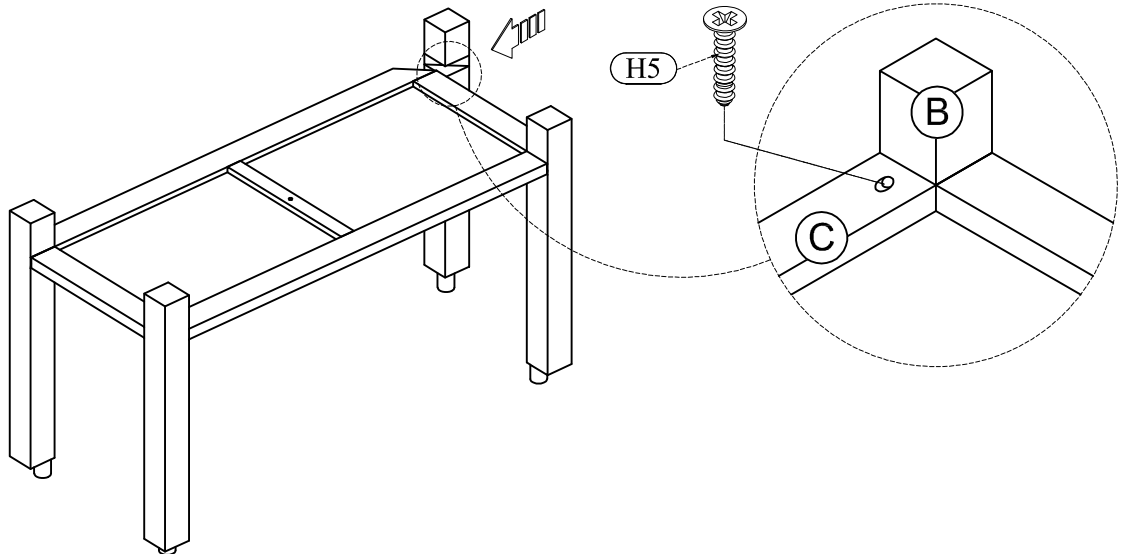


## HARDWARE\* PACKED IN BOX #1

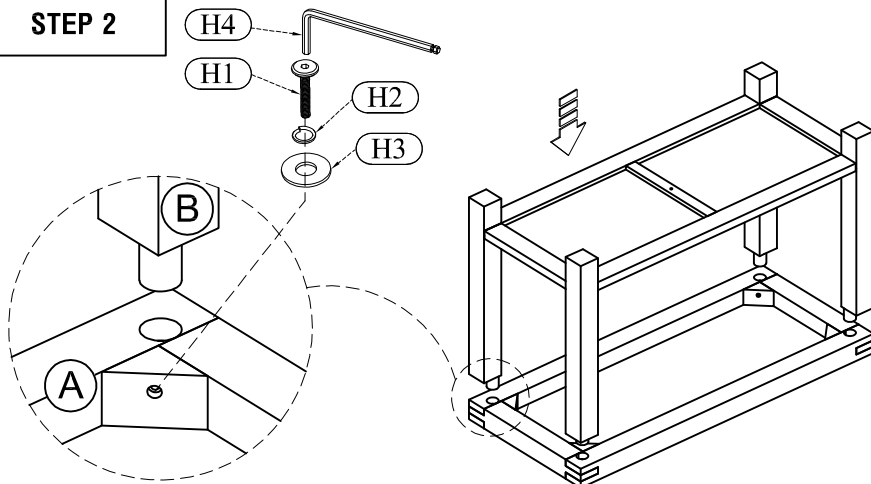
H1	ALLEN BOLT (M8 X 85)	4 PCS	H2	LOCK WASHERS (M9)	4 PCS
H3	FLAT WASHERS (M8)	4 PCS	H4	ALLEN KEY	1 PC
H5	WOOD SCREW (M4 X 50)	4 PCS			

YOUR BOX MAY CONTAIN EXTRA HARDWARE

### STEP 1



### STEP 2



### FINISH

