



Addison 4 features an integrated slotted overflow.

## Addison 4

65.75" x 35.375" x 22"

### GENERAL SPECIFICATIONS:

Material - Engineered Solid Stone (ESS®)

Installation - Freestanding

May also be undermounted. Must specify on order.

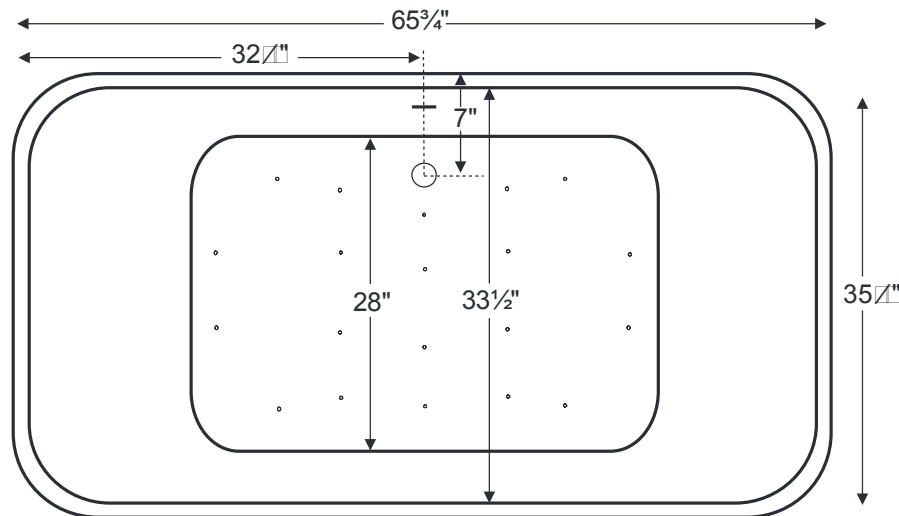
Not recommended as a tub / shower combination.

Soaker Weight - 338 lbs / 153 kg

Air Bath Weight - 368 lbs / 167 kg

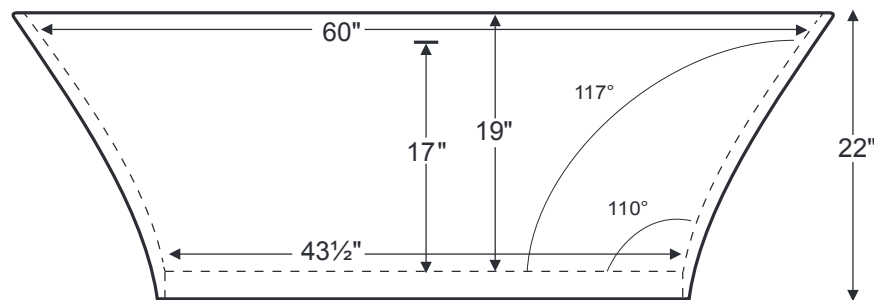
Maximum Fill - 110 gal to overflow

NOTE: Filling this tub to the maximum may require an above average size or dedicated water heater.



SEE IMPORTANT ORDERING & INSTALLATION INFORMATION BELOW

Shown above as an Air Bath.



### ELECTRICAL SPECIFICATIONS:

Required Electrical Service 110 Volt  
Air Bath 1-15 amp GFCI

CSA Certified C/US; ANSI Z124.1

See the "Boutique Collection Tubs Installation & Operation Manual" included with tub delivery or go to [mtibaths.com/support/installation\\_operation/manuals](http://mtibaths.com/support/installation_operation/manuals) for all the information necessary to install and operate the tub.

MTI's Customer Service Department is available Monday-Friday 8am-6pm EST at 800-783-8827 or [customerservice@mtibaths.com](mailto:customerservice@mtibaths.com) to answer any questions pertaining to ordering or installation.

### IMPORTANT ORDERING & INSTALLATION INFORMATION:

- Standard height is 22" for soaker or air bath. Height can be reduced to 20" for soakers only. Must specify on order.
- Includes an integrated slotted overflow, which only requires drain installation. May also be specified without an overflow (see local codes).
- Air baths require job site preparations for remote mounting the blower and required check valve. Check valve must be installed higher than the rim of the tub. The keypad is shipped loose and may be mounted on a nearby wall or decking. A waterproof remote control is also included. Please read installation manual prior to ordering.
- Measurements are  $\pm 1/2"$  and are subject to change without notice.
- Options and accessories are packaged inside the tub crate for delivery.
- Data herein supersedes all prior to publication date shown below.