



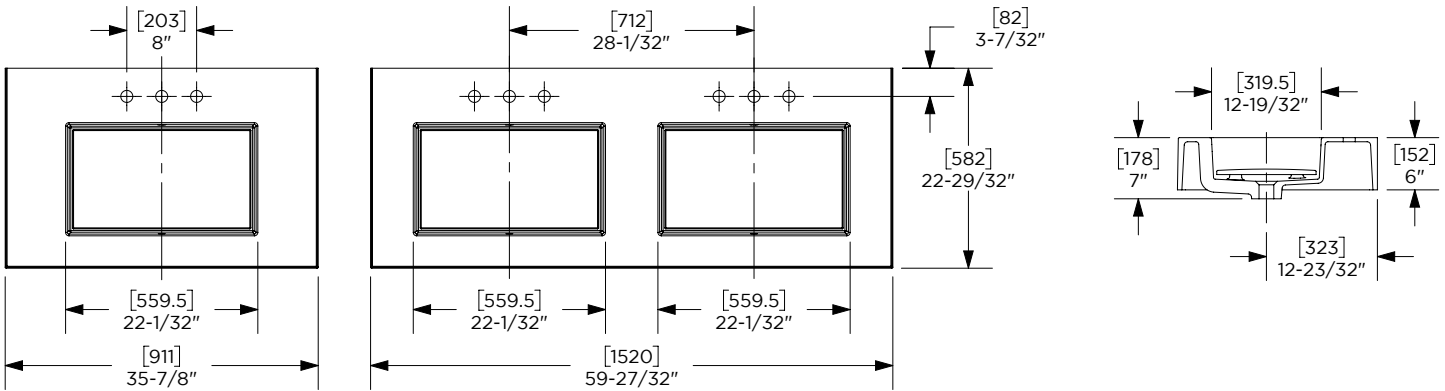
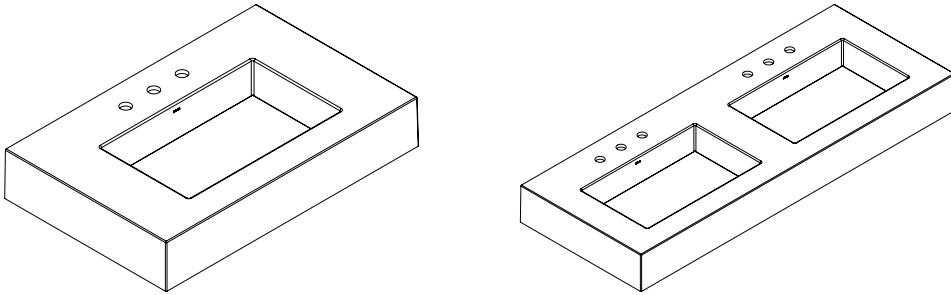
CRAFT SERIES INTEGRATED BASIN

Installation Instructions

Important safety instructions - Save these instructions

CB-TA36MCO102-8CS8

CB-TA60MCO102-8CS9



CONTENTS

Tools Needed - **2**

Parts - **2**

Assembly - **2**

Cleaning - **4**

Warranty - **4**

GENERAL INFORMATION

⚠ CAUTION: Risk of personal injury or product damage. Large sink tops are very heavy. A two person lift is recommended for lifting the sink top into place.

Observe all local plumbing codes.

Prior to installation, unpack the new sink top and inspect for damage. Return the sink top to its protective carton until you are ready to install it.

To ensure proper installation, get assistance aligning and lifting the sink top into place.

If you experience any problems with your sink top, contact your dealer or Robern directly.

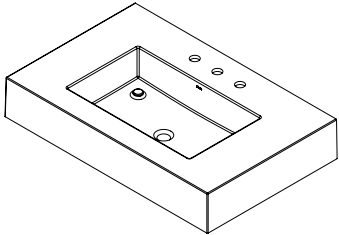
Limited Warranty — One Year Term



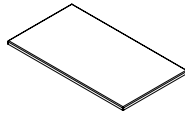
TOOLS NEEDED



PARTS

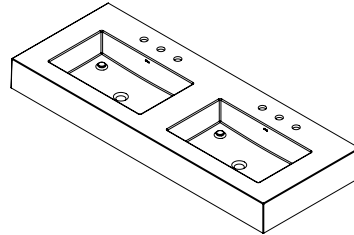


Integrated Single Sink Top

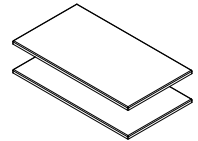


(1) Drain Cover

OR

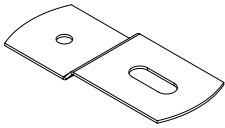


Integrated Double Sink Top

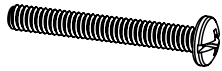


(2) Drain Covers

[216-1220] Hardware Bag
(Included with Bodo & Skaarsgard Vanities)



[210-1776]
(2) Mounting Bracket



[203-1532]
(2) 1/4-20 x 2" Screws



[203-1535]
(4) Washers



[203-1533]
(2) M5 x 13mm Screws

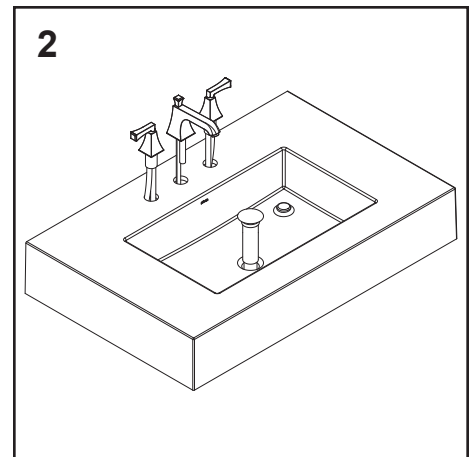
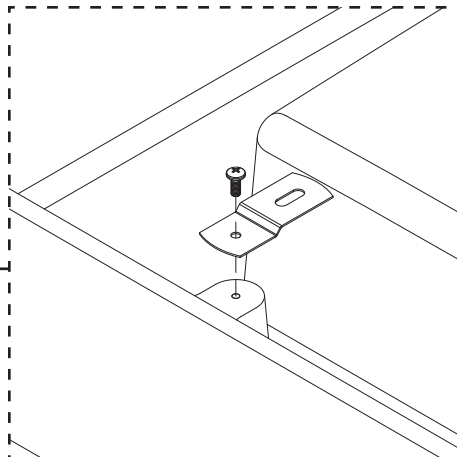
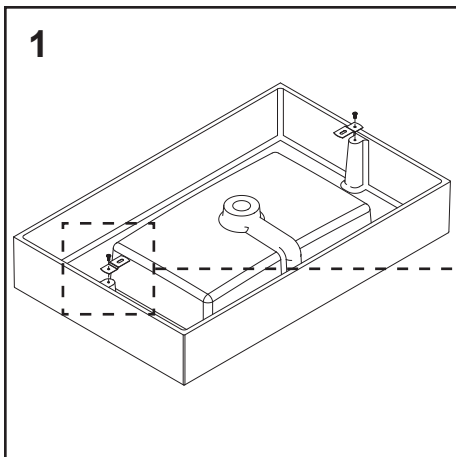


[203-1534]
(2) Wing Nuts

ASSEMBLY

NOTE: If the integrated top is being mounted to a compatible Robern vanity, use the hardware supplied with the vanity. Otherwise, proceed to Step 2.

1. Place the top face down on a clean surface. Attach a bracket [210-1776] in both locations using the supplied screws [203-1533].
2. Install the faucet and drain to the sink top (**Note: drain must include overflow feature**). Refer to the faucet and drain manufacturer's instructions. **Do not overtighten the fixtures, or cracking may occur.**



ASSEMBLY

3. Apply a 1/4" (6 mm) bead of clear sealant (latex caulk/silicone) on vanity edge. Place the top onto the vanity and push until flush with the back of the vanity. Adjust position until the top has an equal overhang on each side of the vanity.

IMPORTANT! To ensure proper installation and sealant bond, align and lower the sink top into place as close as possible to reduce the need to make large adjustments.

NOTE: If the integrated top is not being mounted to a compatible Robern vanity, proceed to Step 5.

4. Secure the top to the vanity using a supplied screw [203-1532] and washer [203-1535] through each clearance holes on either end of the vanity. Each screw should travel through a bracket [210-1776, attached in Step 1] and then secured with a washer [203-1535] and wing nut [203-1534]. Hand tighten the wing nuts until the top is secure to the vanity.

5. Verify that the sink top is level. Wipe away excess sealant. Allow the sealant to set according to the manufacturer's instructions.

6. Connect the trap to the drain. Complete all plumbing connections and run the water and check for any leaks.

7. Install drain cover(s) into the sink bowl(s), positioned over locating points.

