

HEKMAN®

A HOWARD MILLER COMPANY
Grand Rapids, Michigan

INSTALLATION INSTRUCTIONS









Pattern Description 25322 armchair

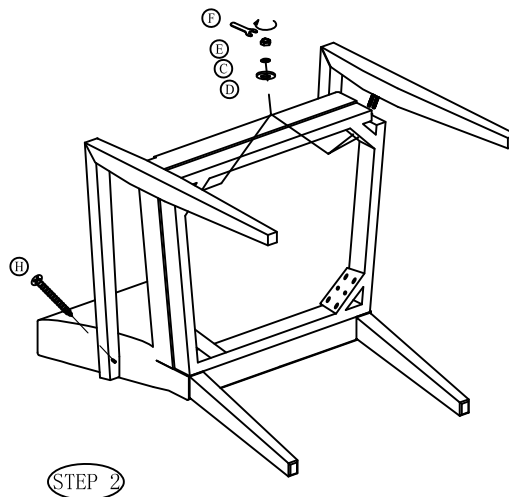
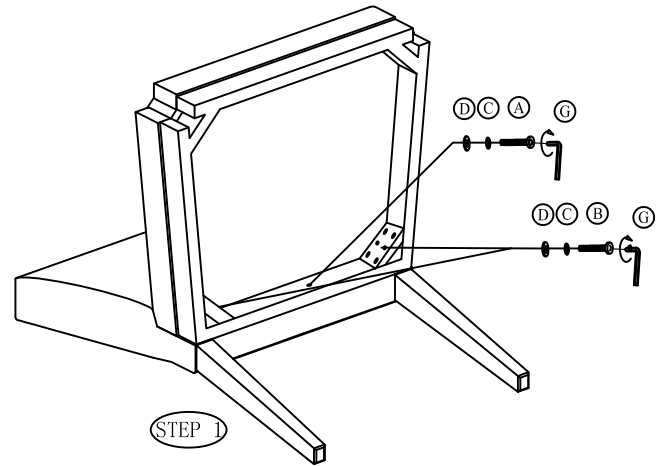
DO NOT SCALE SKETCHES
COPYRIGHT 1997 HEKMAN FURNITURE COMPANY

Pattern Number(s)
25322

Drawn By INY

Date 19/9/21

PARTS			Q' TY
A		5/16*1-3/4"	1
B		5/16*3-1/4"	4
C		5/16 "	9
D		5/16 "	9
E		5/16 "	4
F		13MM	1
G		5MM	1
H		8*1-1/2"	2



TO ASSEMBLE: (Two people required)

Step 1: Place the Chair Back on a soft clean surface, and assemble the Chair Seat frame to the Chair Back (Step 1), using one short bolt (A) and four long bolts (B) with five lock washers (C) and five flat washers (D) tighten with the wrench (G). Do not fully tighten any bolts until chair has been completely assembled.

Step 2: Attach both front legs to the seat frame using four nuts (E), and four lock washers (C) and four flat washer (D) Tighten with the wrench (F). Do not tighten the four nuts completely at this time.

Attach both the top of the arm to the back of the chair using two wood screw (H) from the inside.

Step 3: Set the chair on a flat surface to ensure all four legs touch the floor, then tighten all bolts and nuts.

