

**New**

Complete your desk with custom options such as wood top and drawer finish, metal base finish and hardware finish.



**KIDNEY / ONE DRAWER ADJUSTABLE HEIGHT DESK**

Desktop Dimensions: W 60" x D 30" x H 5.25"  
Overall Variable Height: 28"—54"

**28487**—  
STYLE NUMBER TOP FINISH DRAWER FINISH BASE FINISH



**THREE DRAWER ADJUSTABLE HEIGHT DESK**

Desktop Dimensions: W 60" x D 30" x H 5.25"  
Overall Variable Height: 28"—54"

**28480**—  
STYLE NUMBER TOP FINISH DRAWER FINISH BASE FINISH



**ADJUSTABLE HEIGHT OF 24—50"**



**TOP STORAGE ADJUSTABLE HEIGHT DESK**

Desktop Dimensions: W 60" x D 30" x H 5.25"  
Overall Variable Height: 28.25"—54.25"

**28481**—  
STYLE NUMBER TOP FINISH DRAWER FINISH BASE FINISH



**TWO-DRAWER ADJUSTABLE HEIGHT DESK**

Desktop Dimensions: W 60" x D 30" x H 6.0"  
Overall Variable Height: 28.25"—54.25"

**28482**—  
STYLE NUMBER TOP FINISH DRAWER FINISH BASE FINISH



**FILE CABINET**

W 15.25" x D 18.75" x H 27.5"

**28484**—  
STYLE NUMBER TOP FINISH DRAWER FINISH BASE FINISH



**FLAT-TOP ADJUSTABLE HEIGHT DESK**

Desktop Dimensions: W 60" x D 30" x H 1"  
Overall Variable Height: 23.75"—49.75"

**28483**—  
STYLE NUMBER TOP FINISH DRAWER FINISH BASE FINISH



**THREE-DRAWER ADJUSTABLE HEIGHT DESK**

Desktop Dimensions: W 61.5" x D 31" x H 5.25"  
Overall Variable Height: 28"—54"

**28486**—  
STYLE NUMBER TOP FINISH DRAWER FINISH HARDWARE FINISH BASE FINISH



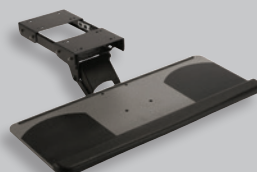
**FILE CABINET**

W 36" x D 18" x H 28.75"

**28485**—  
STYLE NUMBER TOP FINISH DRAWER FINISH BASE FINISH

**ACCESSORIES**

These accessories are also available to enhance your Custom Adjustable Height Desk.



**ADJUSTABLE KEYBOARD TRAY 991010**



**DELUXE CHARGING STATION 991015**



**WIRE MANAGEMENT TRAY 991002 (available on 28481 & 28483 only)**

## FOLLOW THESE EASY STEPS:

### CHOOSE YOUR STYLE NUMBER

Start by selecting your Adjustable Height Desk or File Cabinet **STYLE NUMBER**.

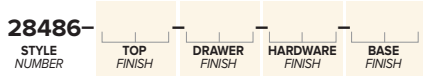


### CHOOSE YOUR CUSTOM FINISHES

To customize your **ADJUSTABLE HEIGHT DESK**, choose wood finishes for the top and drawers (where applicable) and the metal finish for the base. Choose your hardware finish option as well (where applicable).

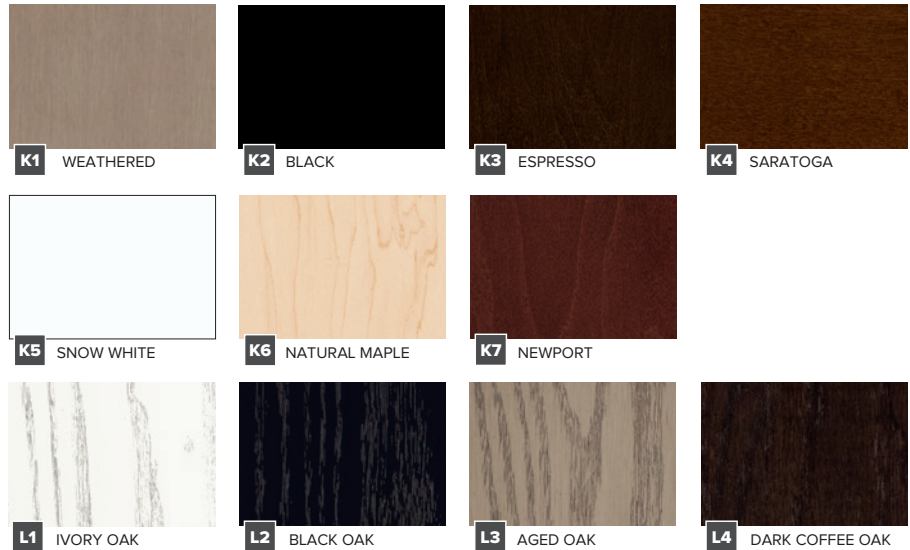
To customize your **FILE CABINET**, choose a wood finish for the top and a metal finish for the base.

Enter the 2-digit finish codes from your finish choices in the corresponding spots to complete the SKU number.



## WOOD TOP FINISH & DRAWER FINISH OPTIONS

Enter a 2-digit **WOOD FINISH** code from below in the spaces labeled "TOP FINISH" and "DRAWER FINISH". You may choose a different finish for each option. *Note: If a desk does not include a drawer, a "00" is entered in the space.*



Wood is a natural material with variations in color, grain, and texture. Finished product will differ from these samples and an exact match cannot be guaranteed.

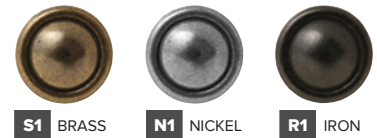
## METAL BASE FINISH OPTIONS

Enter a 2-digit **METAL BASE FINISH** code from below in the spaces labeled "Base Finish".



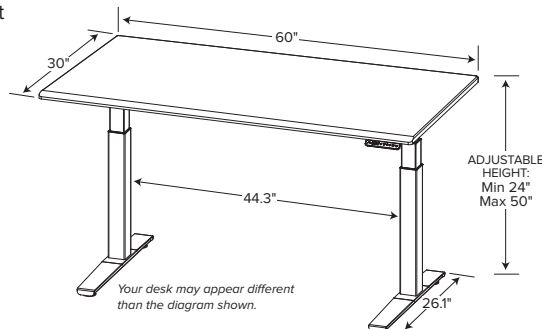
## HARDWARE OPTIONS

Enter a 2-digit **HARDWARE** code from below in the spaces labeled "Hardware Finish". *Note: Not all desks include hardware.*



## ADJUSTABLE HEIGHT BASE FEATURES

- Designed and assembled in USA
- Engineered for easy-assembly
- Dual-motor telescoping leg technology
- Automatic motor safety stop
- Exceeds BIFMA Standards
- Robotically welded seams for minimal scarring
- Virtually zero grease marks on columns
- Engineered telescoping technology
- User adjustable Gyro Sensor Anti-Collision by way of a handset
- Powder coated color for flawless transition and durability
- Easily transition between metric and standard height range readout
- 4-Position memory options and ergonomic handset
- No holes in the columns for a clean and elegant look
- User is easily able to limit the lowest and highest dimensions with the handset
- Provides secure stability at all height ranges — one of the most stable bases in the industry
- One of the quietest designs on the market — under 40 decibels when in use
- UL tested and approved



## SPECIFICATIONS

- MINIMUM HEIGHT: 24"
- MAXIMUM HEIGHT: 50"
- LENGTH OF FEET: 26.1"
- KNEE HOLE DISTANCE: 44.3"
- MEMORY SETTINGS: 4
- LIFT SPEED: 1.5" per second
- WEIGHT CAPACITY: 350 lbs.
- DISPLAY: Electronic LED