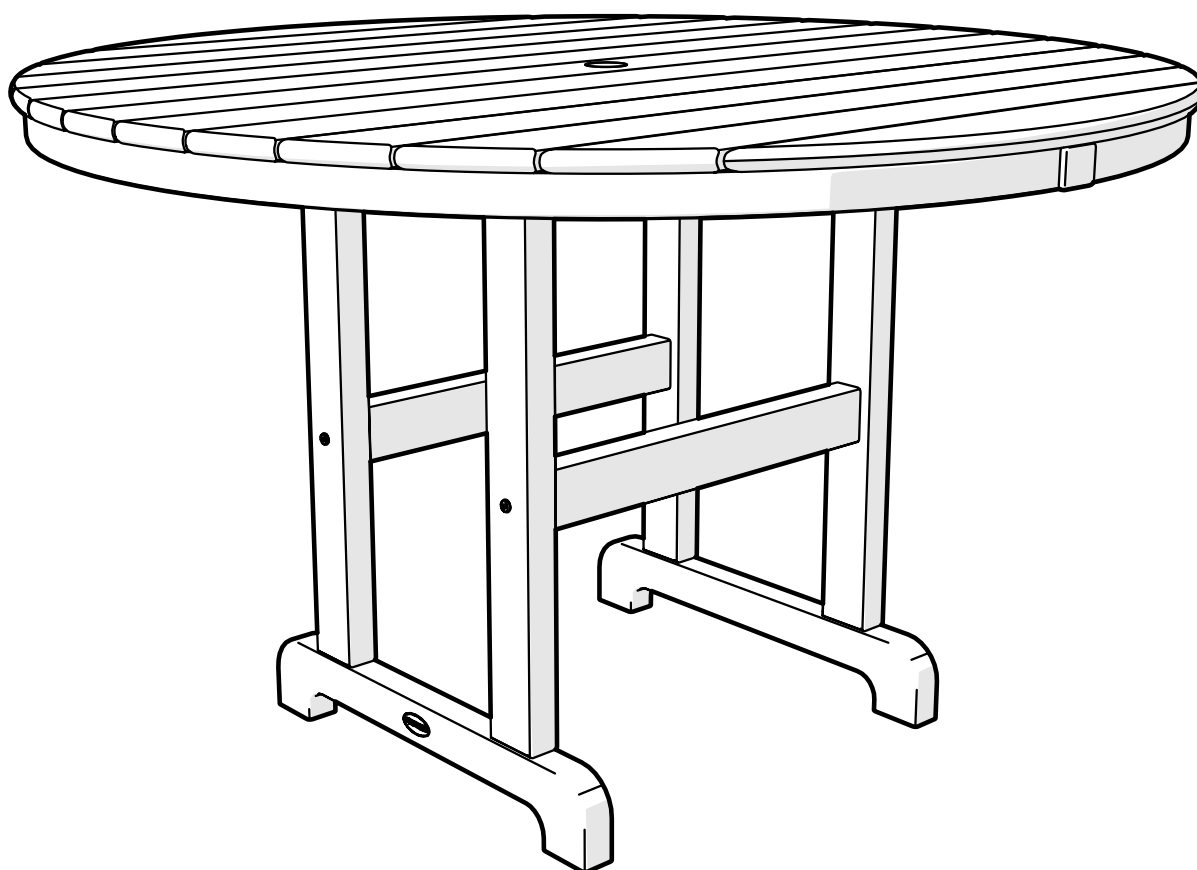


RT248

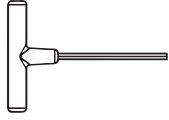
Round 48" Dining Table *Assembly Instructions*



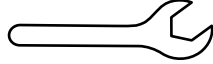


To watch a video of this assembly, visit [youtube.com/polywood](https://www.youtube.com/polywood)

TOOLS

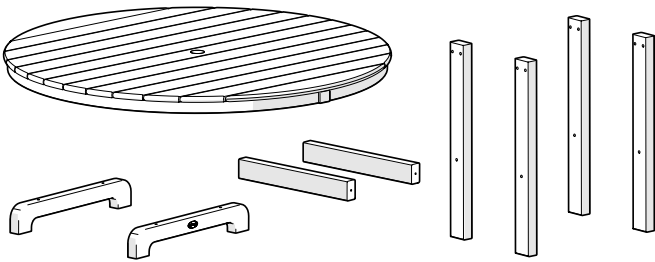


4mm T-handle
Hex Key (included)

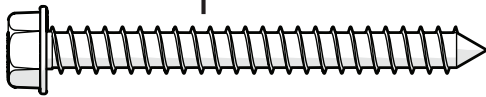


3/8" Wrench
(not included)

PARTS

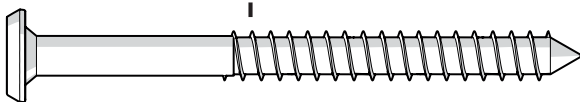


A x 8



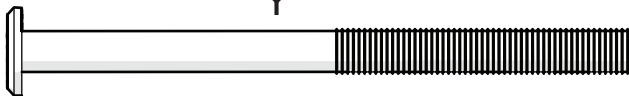
14 X 2.50 HEX WASHER T-A ALCHM

B x 4



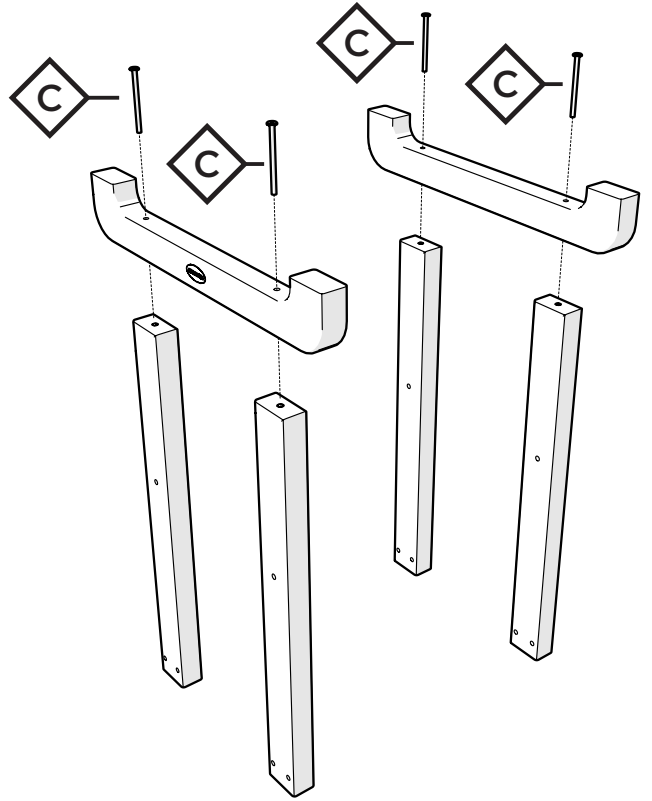
.27 x 3 SOCKET WAFER A

C x 4

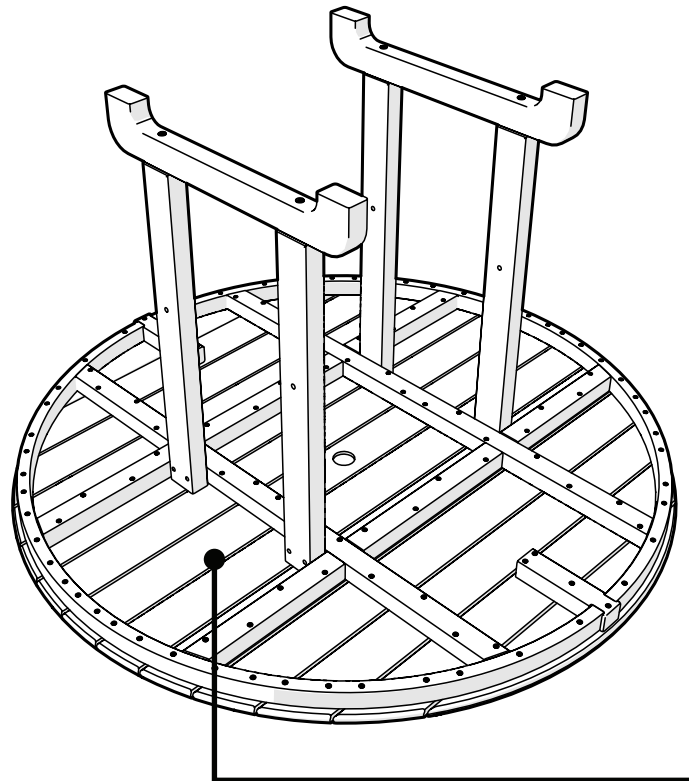


1/4-20 x 3-1/4 WAFER SHCS

1



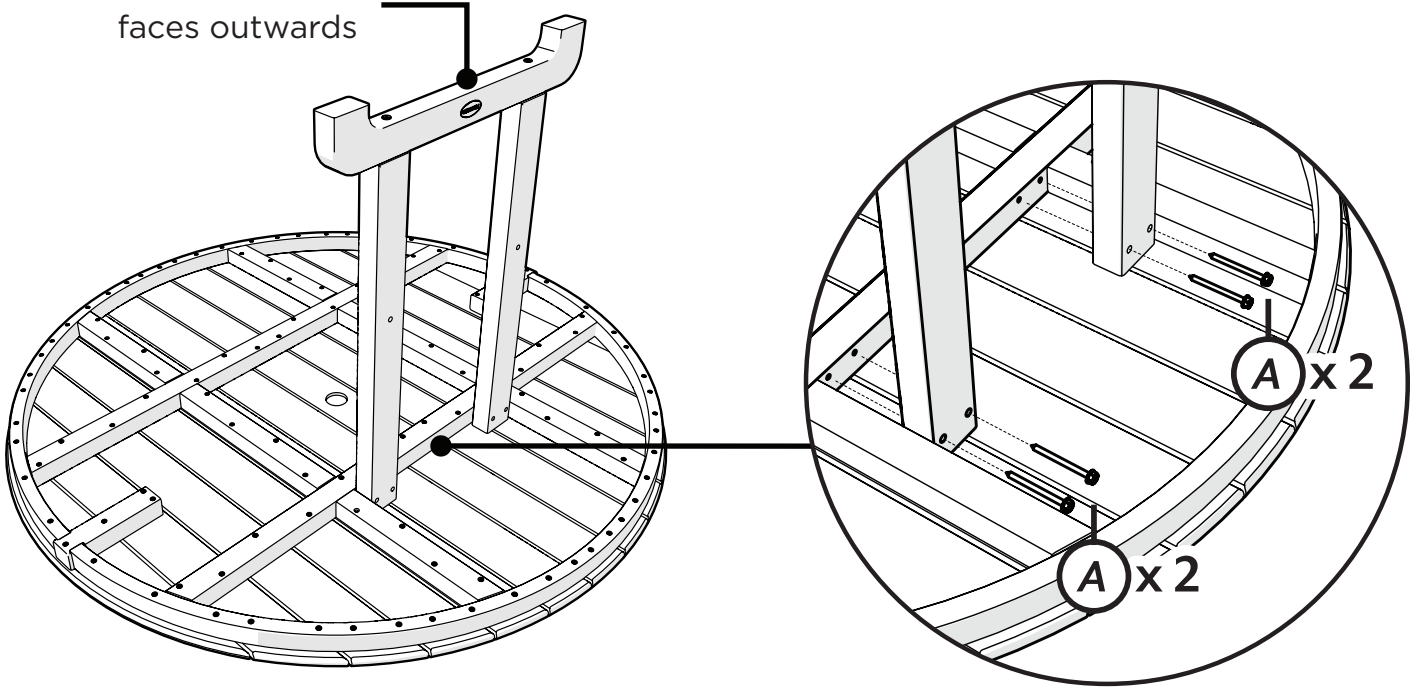
3



Something missing? Call (877) 457-3284

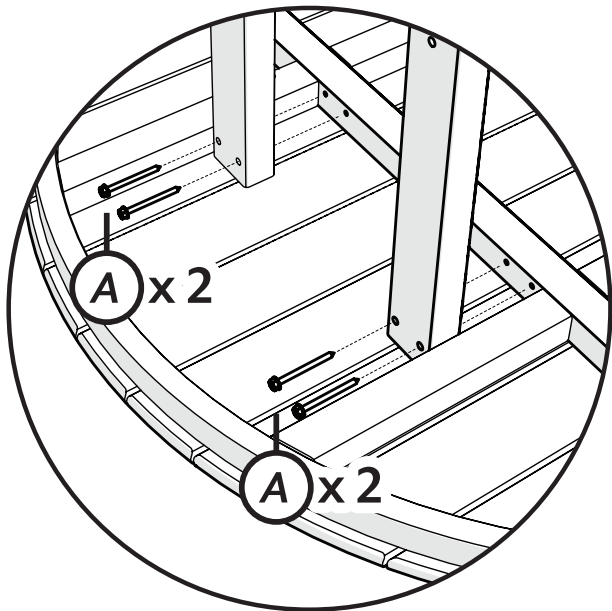
2

Make sure label faces outwards

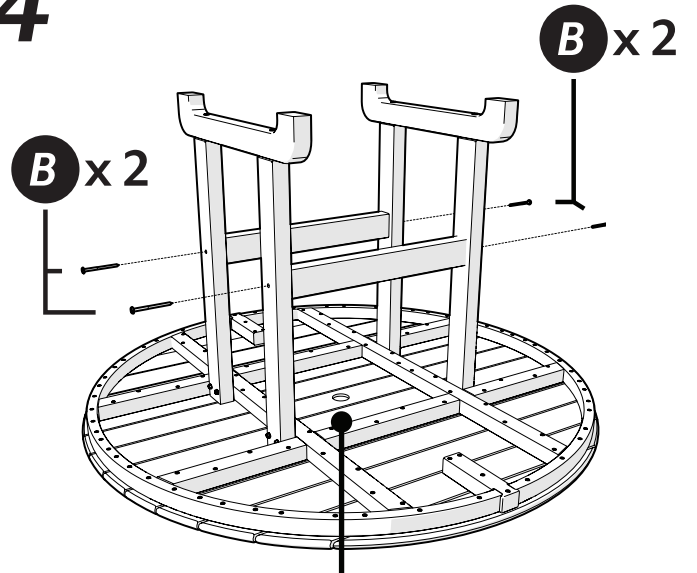


NOTE: Do not over-tighten

NOTE: Do not over-tighten



4



Removable table plug included in table

POLYWOOD®

All Weather Furnishings

Join the POLYWOOD® Community
Share in the love of outdoor living, recycling, and more...



POLYWOOD



@POLYWOODINC



[youtube.com/polywood](https://www.youtube.com/polywood)



POLY-WORLD
Blog



POLYWOOD



To view our full warranty, please visit the warranty page on our website at polywoodinc.com/resources.

If you have questions or concerns regarding assembly instructions or missing parts, please contact us at (877) 457-3284 or email support@polywoodinc.com