

Location:



Euro-flo Showerhead, 4-145
Specification Submittal

Model Numbers

- 4-145 Showerhead

Finish Options / Modifications

Append appropriate -suffix to model number.

- CC** -1.5 1.5 gpm (5.7 L/min) Flow rate
- STN Satin Nickel finish

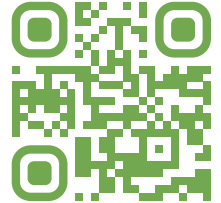
Product Highlights

- Five mode shower head
- Full pulsating massage and soft shower water saving spray modes
- Standard female ball joint connection
- Chrome finish
- Standard flow rate is 2.0 gpm (7.6 L/min)

Warranty

Limited Lifetime - to the original end purchaser in consumer/residential installations.

10 Years - for commercial/industrial installations. Refer to www.symmons.com/warranty for complete warranty information.

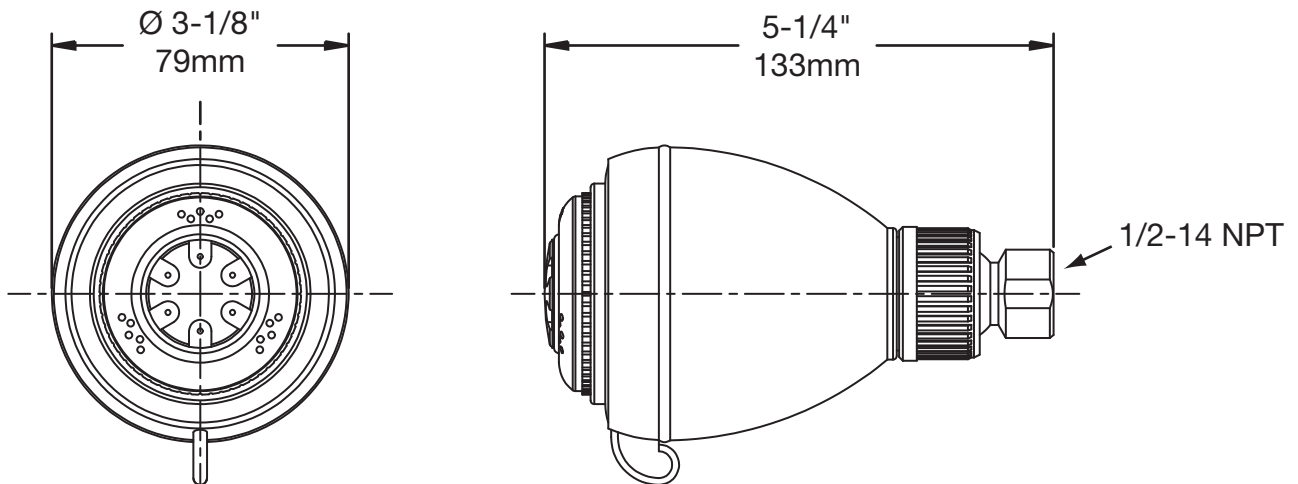


Standards / Certifications

ASME A112.18.1/CSA B125.1



Dimensions Euro-flo Shower Head, 4-145



Note: Dimensions subject to change without notice.

Symmons Industries, Inc. ■ 31 Brooks Drive ■ Braintree, MA 02184
Phone: (800) 796-6667 ■ Fax: (800) 961-9621
Website: symmons.com ■ Email: gethelp@symmons.com

Copyright © 2018 Symmons Industries, Inc. ZV-1839 REV B ■ 041922



SYMMONS