



XOU15WGO_
UNDERCOUNTER WINE COOLER
SINGLE ZONE
GLASS OVERLAY



Zero clearance hinges
for a flush installation

Fully extending telescoping
racks cushion your bottles

Intuitive digital touch controls

Secure door lock

15 " UNDERCOUNTER WINE COOLER with OVERLAY FRAME DOOR

Keep 34 bottles close at hand and ready to serve at 41° to 64°F.

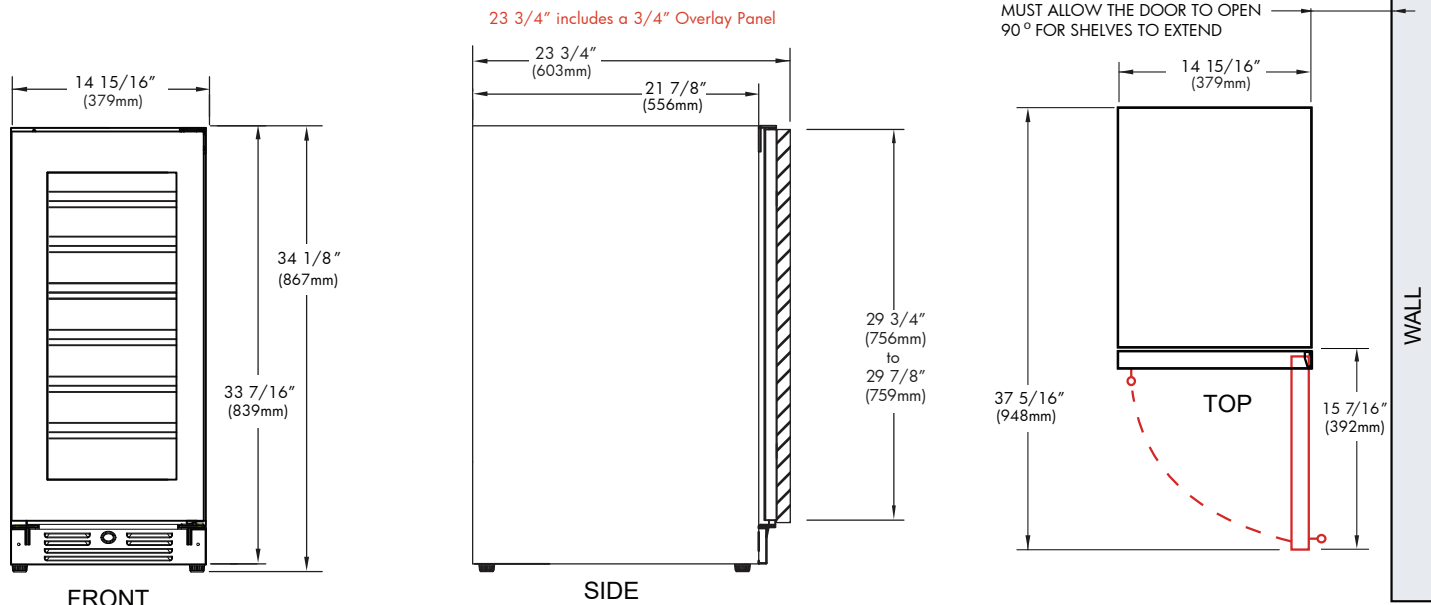
This elegant, efficient wine storage and serving center is the perfect choice for convenient entertaining. At only 15" wide and designed to install flush with your cabinetry, this quiet and efficient wine cooler will prove to be the ideal choice for entertaining or just relaxing.

When it is all about the wine - it is all about XO.

WORLD CLASS SERVICE | COMPREHENSIVE WARRANTIES
OUR LASTING COMMITMENT TO YOU



*Specify **R** for right hand hinge - or - **L** for left hand hinge



FEATURES

CAPACITY

Full extension smooth glide racks hold: (34) 750ml bottles at 41° to 64°F

FEATURES

- Zero clearance hinges for flush integration*
- Secure door lock
- Non-reversible door - specify right or left hinge
- Library quiet 39 dBA operation
- Elegant tri-color interior illumination
- Intuitive digital touch controls
- 6 1/2' Power Cord with low profile 90° flat plug
- Low E Glass blocks harmful UV light
- Alarm Functions
- Energy Saver and Sabbath Mode

* Note: zero clearance hinges are visible just above and below the door panel

SPECIFICATIONS

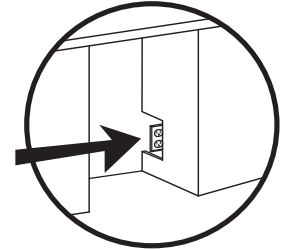
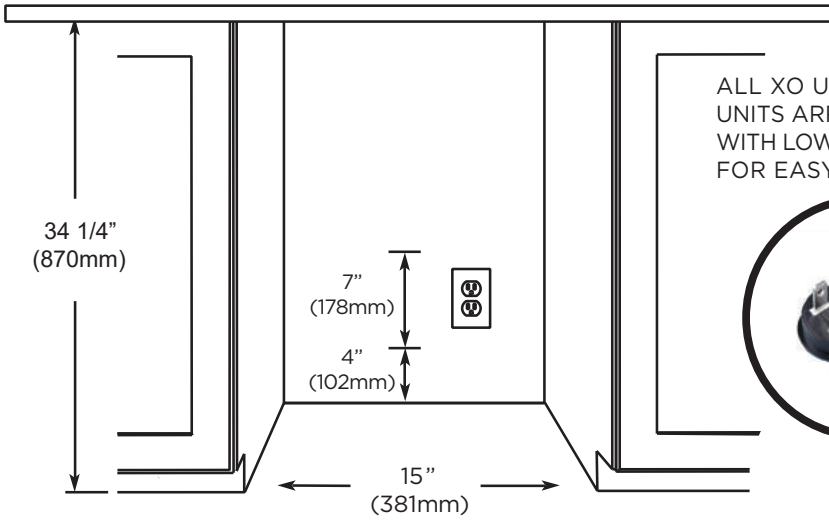
- ELECTRICAL** 120V 60HZ 4.35 AMP*
- DIMENSIONS** H 34 1/8"
W 14 15/16"
D 23 3/4" (w 3/4" finish panel)
- ROUGH IN** H 34 1/4" min
W 15"
D 24"
- REFRIGERANT** R600A



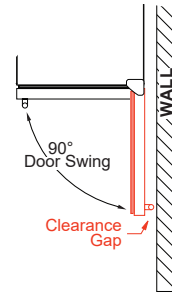
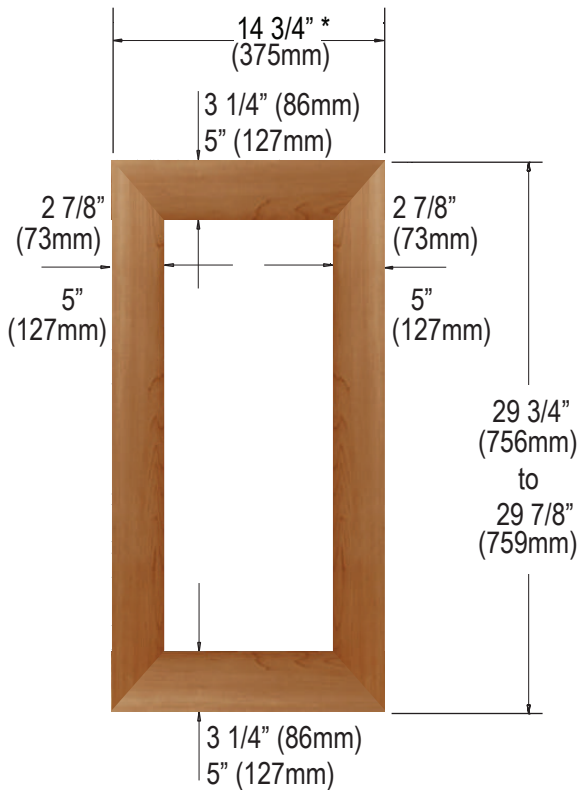
Watch the Video on YouTube **CLICK ON THE IMAGE**



ROUGH IN DIMENSIONS

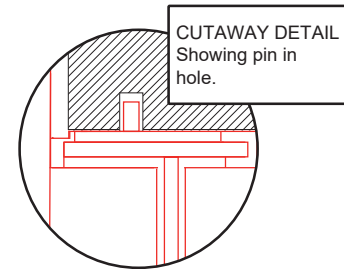


OVERLAY FRAME DIMENSIONS



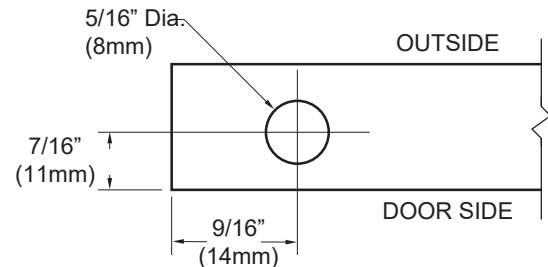
WHEN INSTALLING WITH THE HINGE SIDE NEXT TO A WALL - LEAVE ADEQUATE SPACE FOR CABINET HANDLES

DOOR MUST BE ABLE TO OPEN A MINIMUM OF 90°.



TO ACCOMMODATE THE HINGE PINS ON THE HINGE SIDE OF THE PANEL Drill a hole at least 5/16" in diameter and 1" deep into the top and bottom of the frame in the location shown.

9/16" in from the edge and 7/16" out from the unfinished side facing the door.



THE DOOR STOP IS SET AT 110° BUT CAN BE RESET TO 90° OR 140°.

IF THE DOOR CANNOT OPEN FULLY YOU CANNOT EXTEND THE RACKS.