

## PRODUCT FEATURES

- From the brand formerly known as Tech Lighting
- Available in 3000K CCT
- Contemporary design features indirect illumination aiming toward the wall and downward illumination
- Aluminum construction with stainless steel mounting hardware
- Wet Listed, IP65 Rated. Universal 120V-277V
- Available in modern finishes

## LAMPING



Black 3/4 View



Black



Black 3/4 View



Bronze



Bronze 3/4 View

## ORDERING INFORMATION

| 7000WFLO | CRI      | COLOR TEMP | LENGTH (A) | FINISH              | VOLTAGE                 |
|----------|----------|------------|------------|---------------------|-------------------------|
|          | 9 90 CRI | 30 3000K   | 23 23"     | B BLACK<br>Z BRONZE | UNV UNIVERSAL 120V-277V |

7000WFLO \_\_\_\_\_

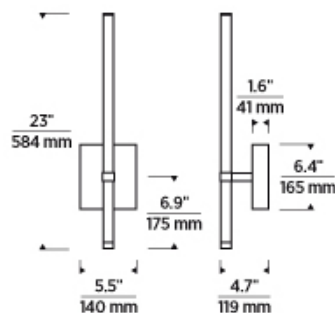
JOB NAME \_\_\_\_\_

NOTES \_\_\_\_\_



## SPECIFICATIONS

|                  |            |
|------------------|------------|
| PRIMARY MATERIAL | Aluminum   |
| SHADE MATERIAL   | Aluminum   |
| NET WEIGHT       | 3.5 lbs    |
| HEIGHT           | 23in       |
| WIDTH            | 4.7in      |
| LENGTH           | 5.5in      |
| WET LISTED       |            |
| DAMP LISTED      |            |
| DRY LISTED       |            |
| GENERAL LISTING  | ETL Listed |
| INCLUDES         |            |



## LAMPING SPECIFICATIONS

|                       | LED LAMP | INTEGRATED LED                       | NON LED | NO LAMP |
|-----------------------|----------|--------------------------------------|---------|---------|
| DELIVERED LUMENS      |          | 1188                                 |         |         |
| WATTS                 |          | 23.9                                 |         |         |
| MAX WATTAGE PER BULB  |          | 23.9W                                |         |         |
|                       |          | Universal 120V-277V 0-10, ELV, TRIAC |         |         |
| CCT                   |          | 3000K                                |         |         |
| CRI                   |          | 90 CRI                               |         |         |
| LED LIFETIME          |          | >60000                               |         |         |
| L70                   |          |                                      |         |         |
| AVERAGE BULB HOURS    |          |                                      |         |         |
| FIELD SERVICEABLE LED |          |                                      |         |         |
| LAMP BASE             |          | Integrated LED                       |         |         |
| LAMP SHAPE            |          | Integrated LED                       |         |         |
| LAMP INCLUDED?        |          | True                                 |         |         |
| WARRANTY**            |          | 5 Years                              |         |         |

\* Dimming information available at [www.techlighting.com/Downloads#dimming](http://www.techlighting.com/Downloads#dimming)

\*\* Visit [techlighting.com](http://techlighting.com) for specific warranty limitations and details.

## T20 / T24 / JA8 INFORMATION

|   | Integrated LED | Replacement LED Lamp | No Lamp * |
|---|----------------|----------------------|-----------|
| This product can be used to comply with California Building Energy Efficiency Standards 2016 Title 24 Part 6 / JA8.                           | Yes            |                      |           |
| This product can be used to comply with California Appliance Efficiency Standards 2016 Title 20 and may be shipped to and sold in California. | N/A            |                      |           |

\* If a light fixture or component does not include a lamp or light source, it is the responsibility of the customer to select a lamp that meets the T24 and T20 requirements.

