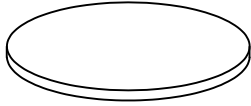
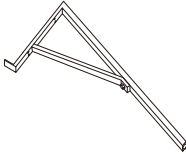
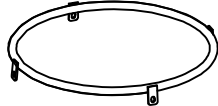
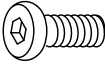
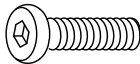
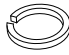
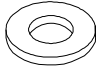
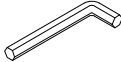
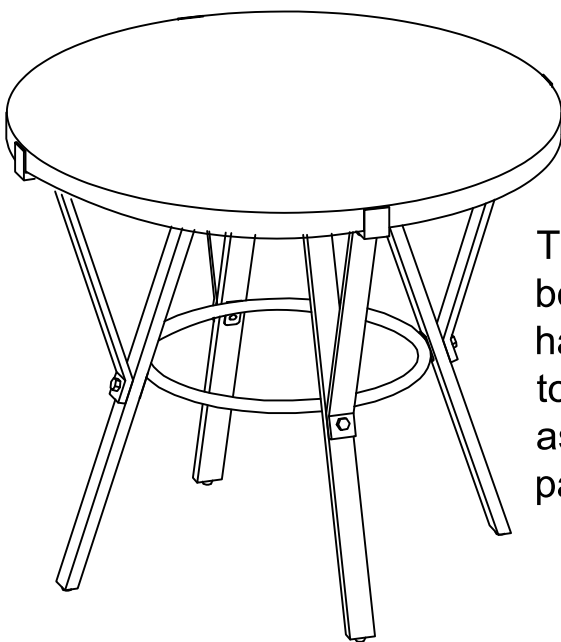


# ASSEMBLY INSTRUCTIONS

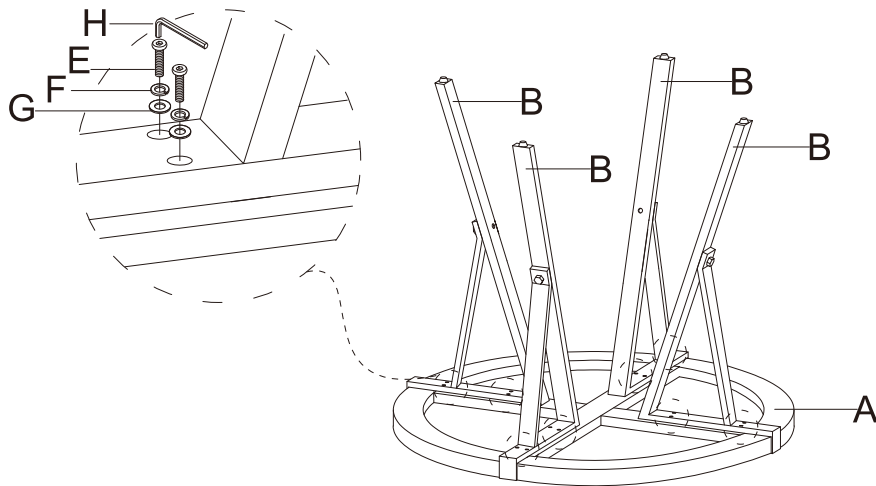
## 36" COUNTER HEIGHT TABLE

<b>A</b> Top  1 pc	<b>B</b> Leg  4 pcs	<b>C</b> Connecting Ring  1 pc
<b>D</b> Bolt Ø1/4" x 20mm  4 pcs	<b>E</b> Bolt Ø1/4" x 30mm  16 pcs	<b>F</b> Spring Washer Ø1/4" x Ø10mm x 2mm  20 pcs
<b>G</b> Flat Washer Ø1/4" x Ø13mm x 2mm  20 pcs	<b>H</b> Allen Wrench 4mm  1 pc	

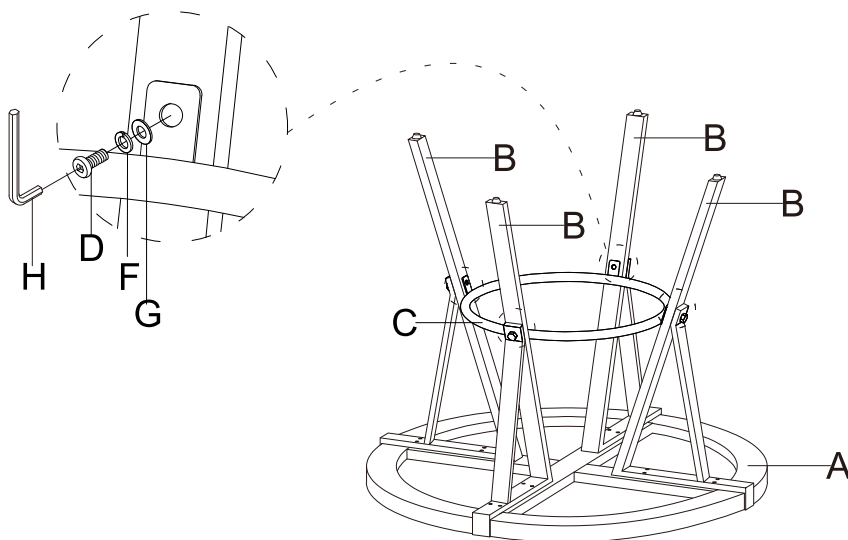


This page lists all the contents included in the box. Please take the time to identify the hardware as well as the individual components to this product. As you unpack and prepare for assembly, place the contents on a carpeted or padded area to protect them from damage.

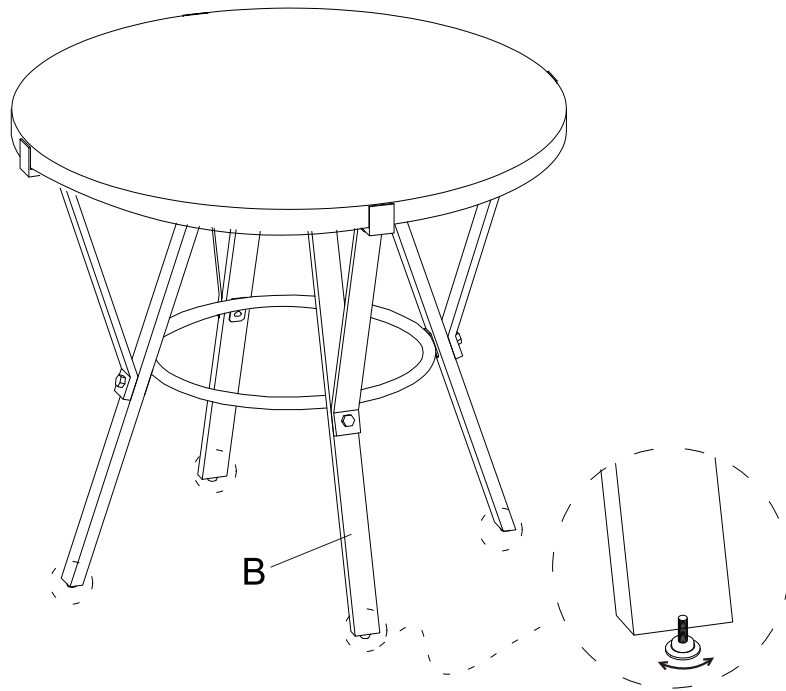
- 
- 1** Place Top (A) on a smooth floor. Attach Leg (B) to Top (A) using Bolt (E), Spring Washer (F) and Flat Washer (G) with Allen Wrench (H). Do not fully tighten the bolts at this step.



- 
- 2** Attach Connecting Ring (C) to Leg (B) using Bolt (D), Spring Washer (F) and Flat Washer (G) with Allen Wrench (H). Fully tighten all the bolts at this step.



- 
- 3** Stand the table up. If the table wobbles slightly, adjust the pre-installed levelers on the bottom of Leg (B) until the table is stabilized.



Adjust the height of the pre-installed levelers to achieve balance.

---

#### Cleaning & Care

Treat surfaces with care. Surfaces are resistant to scratches but are not scratch resistant. Clean surfaces with a dry or damp soft cloth. Do not use abrasive cleaners. Hardware may loosen over time. Periodically check that all connections are tight.