

Features

- 118 to 122 airjets release thousands of heated bubbles that surround and support the body in a warm massage
- Automatic and manual purge cycles remove residual water from air channels after use
- Variable-speed blower lets you adjust massage intensity to 18 levels
- Freestanding design creates a striking focal point in your bathing area
- 16" (406 mm) depth offers a deep soaking experience
- Integral lumbar support on both ends
- Textured bottom surface
- Wide ledge on one side is ideal for deck-mount faucet and/or handshower
- Fluted shroud
- Built-in 600W BubbleMassage™ heater warms humidified air before it enters the bath
- Automatic and manual purge cycles remove residual water from air channels after use

Material

- Acrylic

Technology

- Auto-shutoff timer on blower allows users to enjoy Heated BubbleMassage™ experience for 60 minutes before turning off
- User interface: electronic keypad control

Installation

- Center drain
- Freestanding
- PureFlo drains are not recommended for a deck-mount faucet installation
- Remote blower motor installation required (relocation kit is included)

Required Products/Accessories

K-T37391 Rotary-turn bath drain trim

K-T37392 Rotary-turn bath drain trim

or

K-37385 rough-in cable drain, PVC, 45" cable

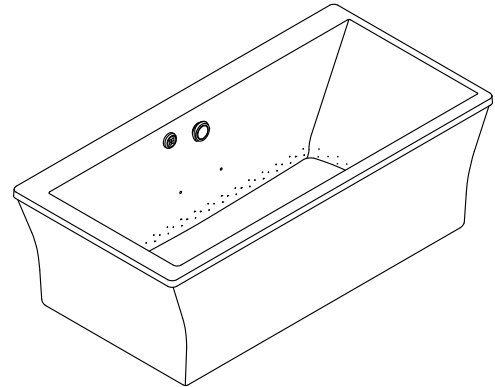
K-78439 45" cable bath drain

or

K-37383 Rough-in cable bath drain, PVC, 30" cable with tubing

K-78438 30" cable bath drain

Recommended Products/Accessories



Codes/Standards

ASME A112.19.7/CSA B45.10

CSA B45.5/IAPMO Z124

ASTM E162

ASTM E662

UL 1795

CSA C22.2 No. 218.2

cUL Listed

UL Listed

KOHLER® Plastic Baths and Shower Bases Lifetime Limited Warranty KOHLER® Hydrotherapy Components Five-Year Limited Warranty

See website for detailed warranty information.

Available Colors/Finishes

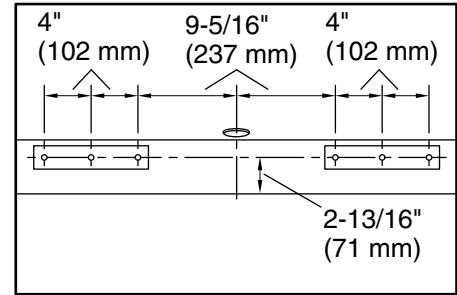
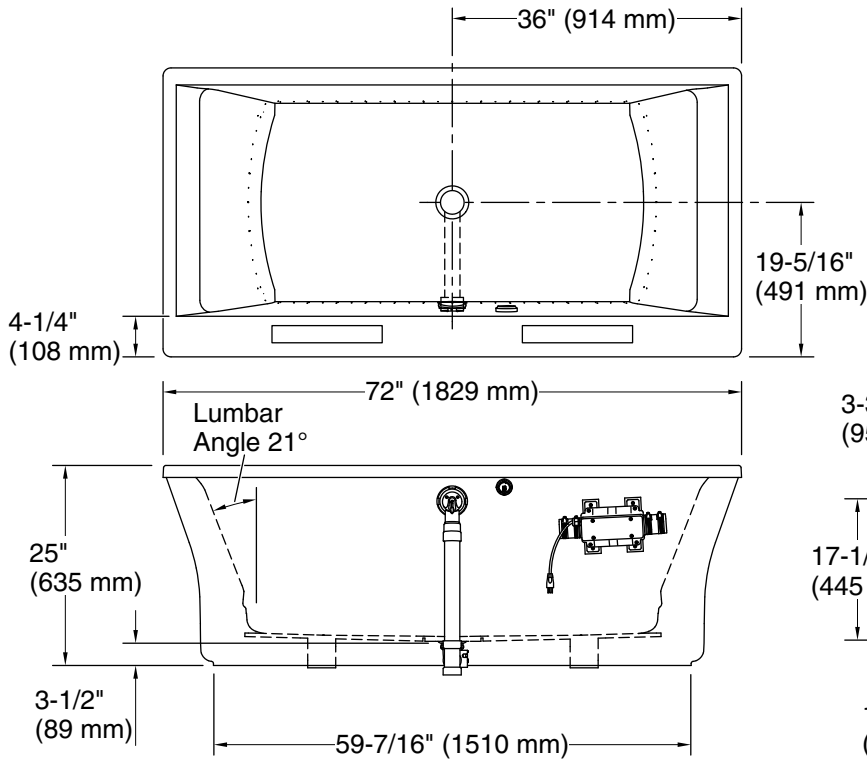
Color tiles intended for reference only.

Color Code Description

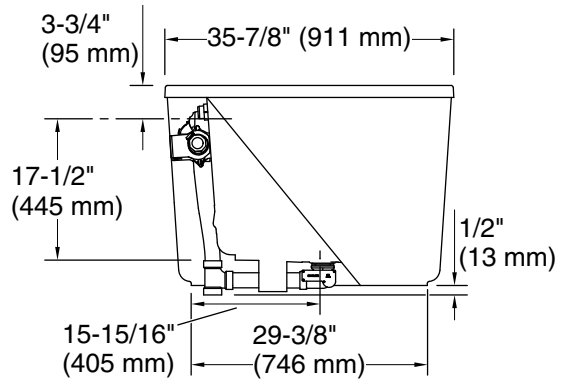
| | | |
|---|---|-------|
| ■ | 0 | White |
|---|---|-------|

No change in measurements if connected with drain illustrated. (K-37386)

□ Recommended Faucet Location



Recommended Faucet Hole Location



Required Electrical Service

Two dedicated circuits required, protected with Class A Ground-Fault Circuit-Interrupter (GFCI). Outside North America, this device may be known as a Residual Current Device (RCD).

Blower: 120 V, 15 A, 60 Hz
Heater: 120 V, 15 A, 60 Hz

Technical Information

All product dimensions are nominal.

Drain location: Center
Basin area, bottom: 50-3/4" x 24-7/8" (1289 mm x 632 mm)
Basin area, top: 67-1/2" x 29-3/16" (1715 mm x 741 mm)
Weight: 120 lbs (54.4 kg)
Minimum floor load: 48.8 lbs/ft² (238.3 kg/m²)
Water depth: 15-11/16" (399 mm)
Water capacity: 90 gal (340.7 L)
Template: Footprint, 1245665, not required, not included
Electrical component rating: Blower: 120 V, 10 A, 60 Hz
Heater: 120 V, 5 A, 60 Hz

Notes

Measure your actual product for rough-in details.

Install this product according to the installation instructions.

The hot water supply should be 70% of the capacity of the bath or greater. Installations will vary.

This bath is designed for freestanding installation only.

If installing a rim-mount faucet, make sure there is no interference above or below the deck before drilling any holes.