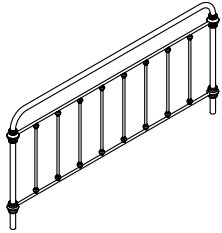


# ASSEMBLY INSTRUCTION

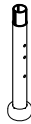
## E411BK-HB 8 SPINDLES METAL EASTERN KING HEADBOARD

**A** Headboard



1pc

**B** Extension leg



2pcs

**C** Adjustable plate



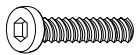
2pcs

**D** Bolt  
1/4", 57mm



4pcs

**E** Bolt  
1/4", 22mm



4pcs

**F** Flat Washer  
ø16mm



12pcs

**G** Plastic Washer  
ø25mm



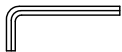
8pcs

**H** Nut  
1/4"



8pcs

**I** Allen wrench  
4x4mm

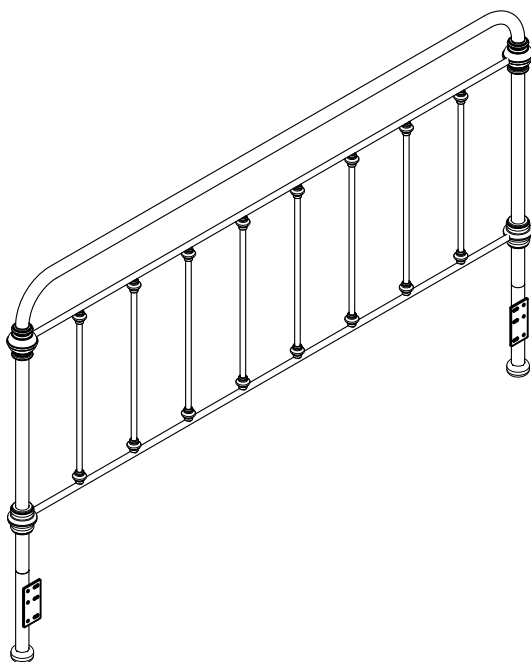


1pc

**J** Wrench  
11.3mm

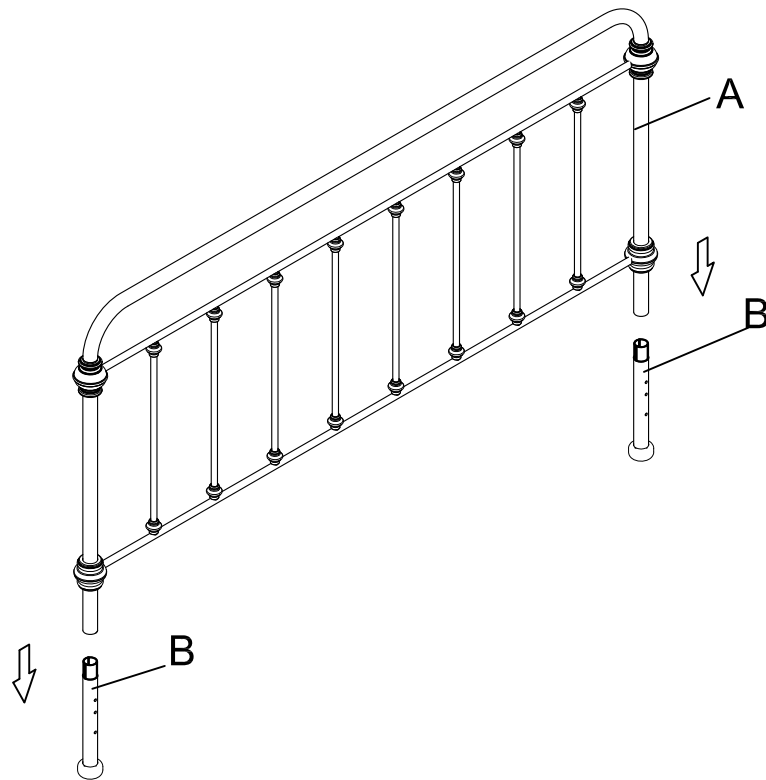


1pc

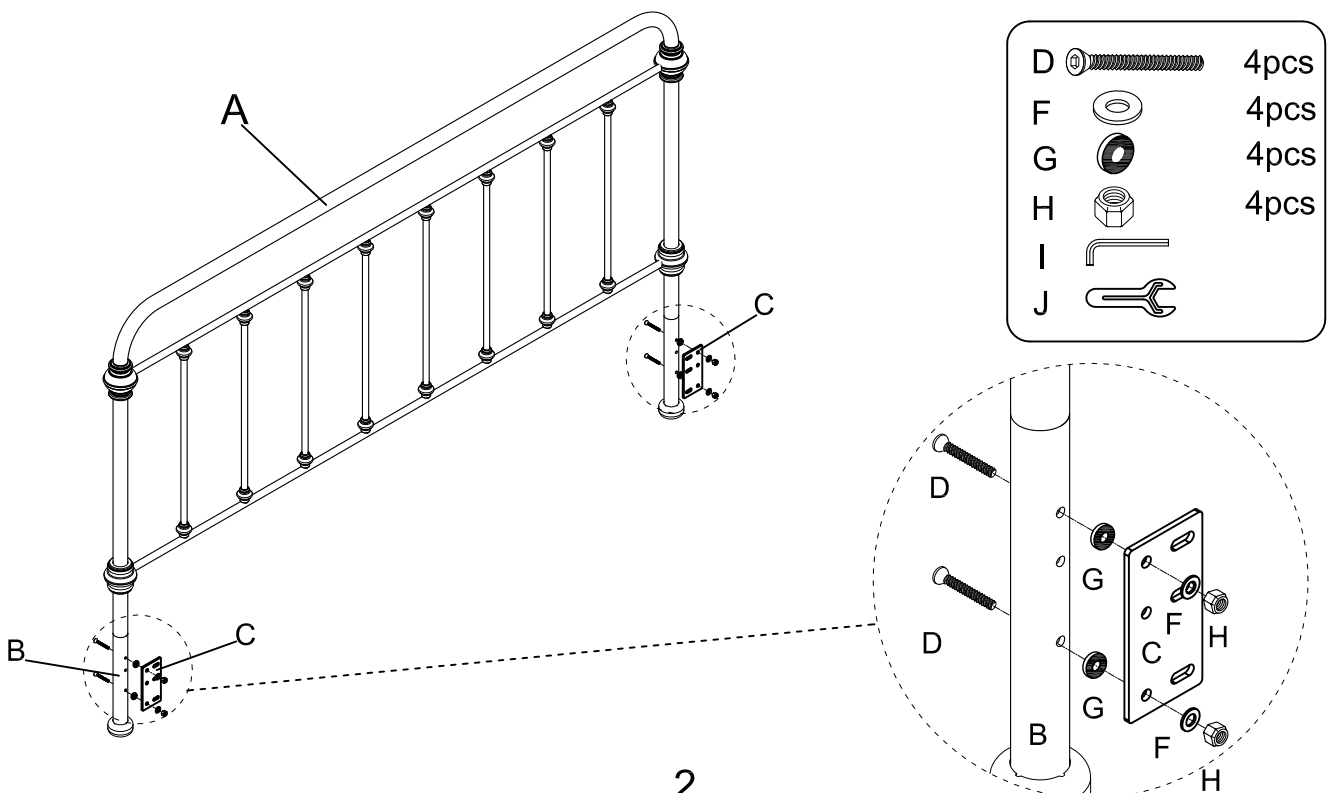


This page lists all the contents included in the box. Please take the time to identify the hardware as well as the individual components to this product. As you unpack and prepare for assembly, place the contents on a carpeted or padded area to protect them from damage.







**1** Assemble the headboard (A) to the extension leg (B).

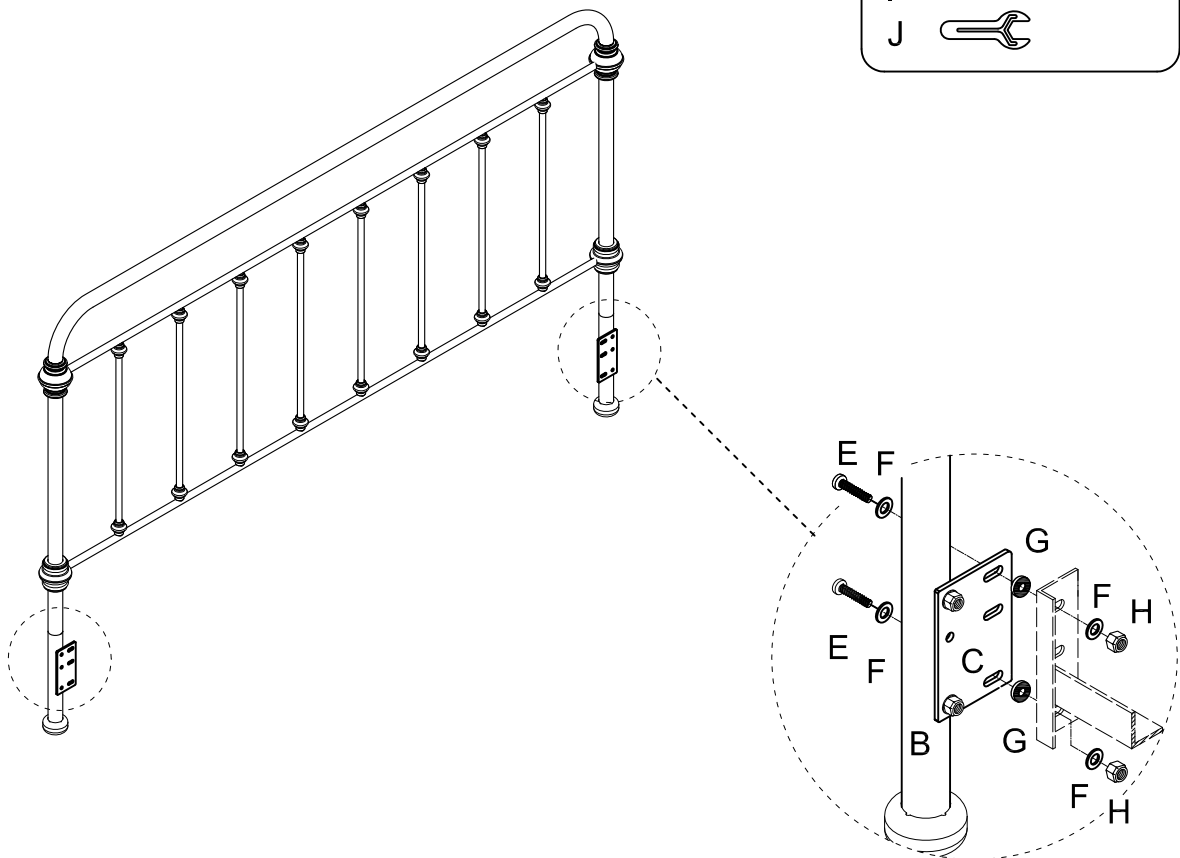


**2** Assemble the adjustable plate (C) to the extension leg (B) with 4 pcs bolts (D), 4 pcs flat washers (F), 4 pcs plastic washer (G) and 4 pcs nuts (H), then tighten with allen wrench (I) and wrench (J).



**3** Assemble rails (belongs to customer) to the adjustable plate (C) with 4pcs bolts (E), 8pcs flat washers (F), 4pcs plastic washer (G) and 4pcs nuts (H), then tighten with allen wrench (I) and wrench (J).

E		4pcs
F		8pcs
G		4pcs
H		4pcs
I		
J		



### Cleaning & Care

Treat surface with care. Surface is resistant to scratches but is not scratch resistant. Clean surfaces with a dry or damp soft cloth. Do not use abrasive cleaners. Hardware may loosen over time. Periodically check that all connections are tight.