



Soho® | K-2053-NR

20" x 18" wall-mount/concealed arm carrier bathroom sink with 8" widespread faucet holes and right-hand soap dispenser hole

Features

- Made from premium materials that withstand high-volume usage
- 20" (508 mm) x 18" (457 mm)
- 8" (203 mm) widespread faucet holes
- With sealed overflow and soap dispenser drilling on right



Available Colors/Finishes

Color tiles intended for reference only.

- 0 White



Codes/Standards

ADA, OBC, CSA B651 compliant when installed to the specific requirements of these regulations.

ADA CSA B651 OBC

ASME A112.19.2/CSA B45.1

ADA

ICC/ANSI A117.1

CSA B651

OBC

Technical Information

| | |
|------------------------|-----------------|
| Number of Deck Holes: | 4 |
| Faucet Hole(s) Size: | 1-3/8" (35 mm) |
| Center(s): | 8" (203 mm) |
| With Overflow: | Yes |
| Soap/Lotion Hole Size: | 1-1/4" (32 mm) |
| Drain Hole Diameter: | 1-3/4" (44 mm) |
| Basin Configuration: | Single Bowl |
| Basin Length: | 18" (457 mm) |
| Basin Width: | 13" (330 mm) |
| Basin Depth: | 5-7/8" (149 mm) |

Material

- Vitreous china

Recommended Products/Accessories

K-23726 Drain treatment

K-8998 Adjustable P-trap with tubing outlet, 1-1/4" x 1-1/4"

K-23725 Cast iron cleaner

Warranty

See website for detailed warranty information.

KOHLER® Vitreous China Bathroom Sink Lifetime Limited Warranty

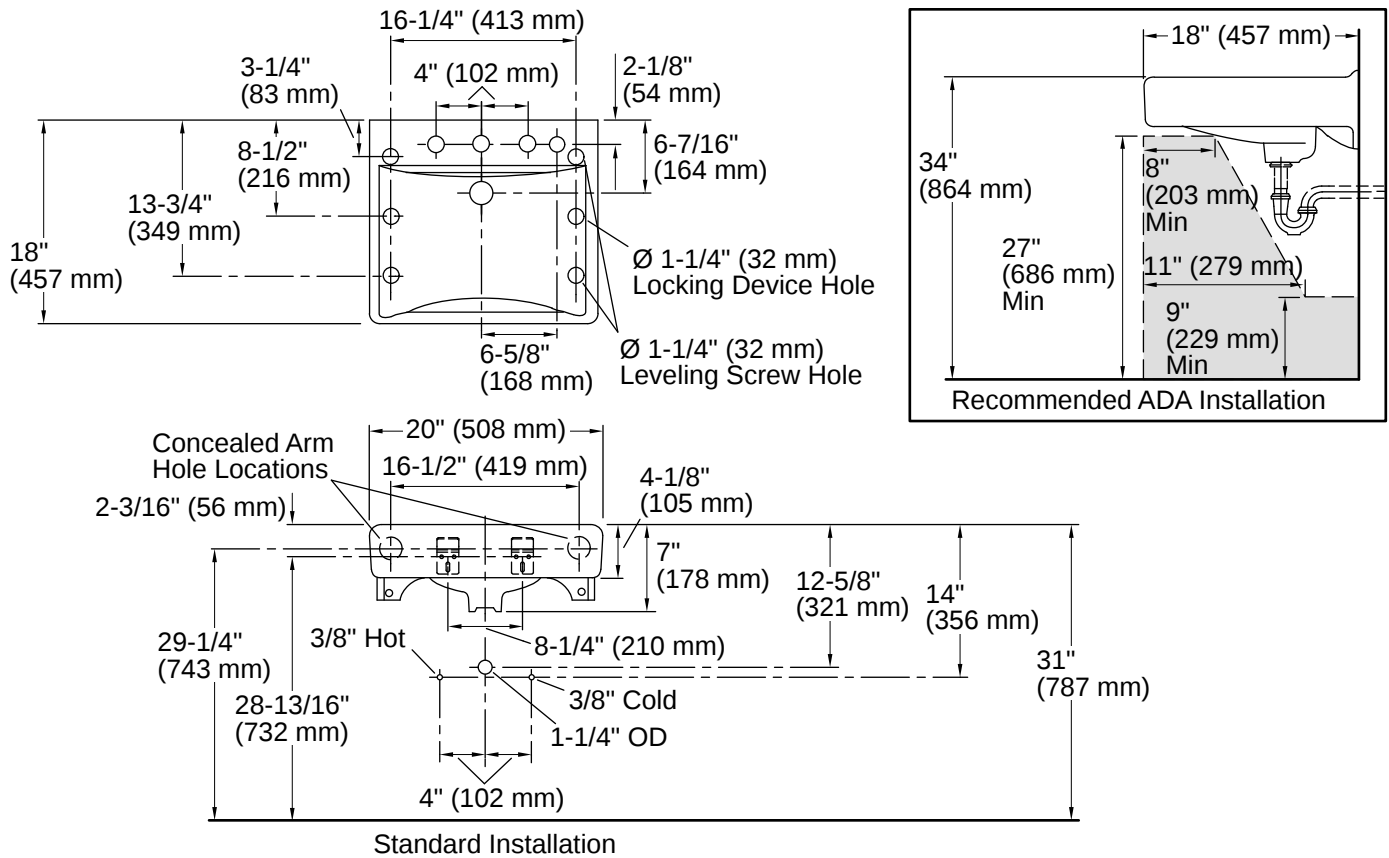


1-800-4KOHLER (1-800-456-4537)

Kohler Co. reserves the right to make revisions without notice to product specifications.

For the most current specification sheet, go to www.kohler.com USA or www.kohler.ca Canada.

4-13-2026 13:3 - US-CA



Installation

- Wall-mount
- Drilled for concealed arm carrier installation

Installation Notes

Install this product according to the installation instructions.

If an arm carrier is used, select a soap dispenser with a 1" (25 mm) maximum shank diameter to avoid interference with the arm carrier. Use a soap dispenser with adequate shank length to extend through the 4-1/8" (105 mm) sink thickness.

Product dimensions are nominal and may vary per ASME A112.19.2 tolerances.

ADA, OBC, CSA B651 compliant when installed to the specific requirements of these regulations.

