







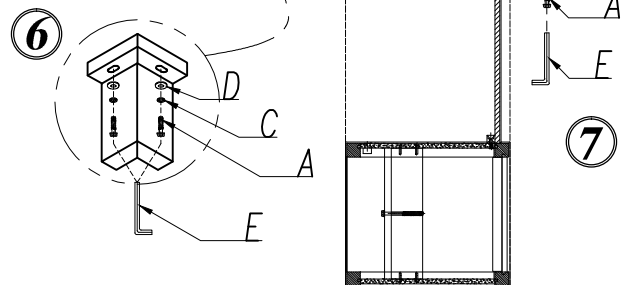
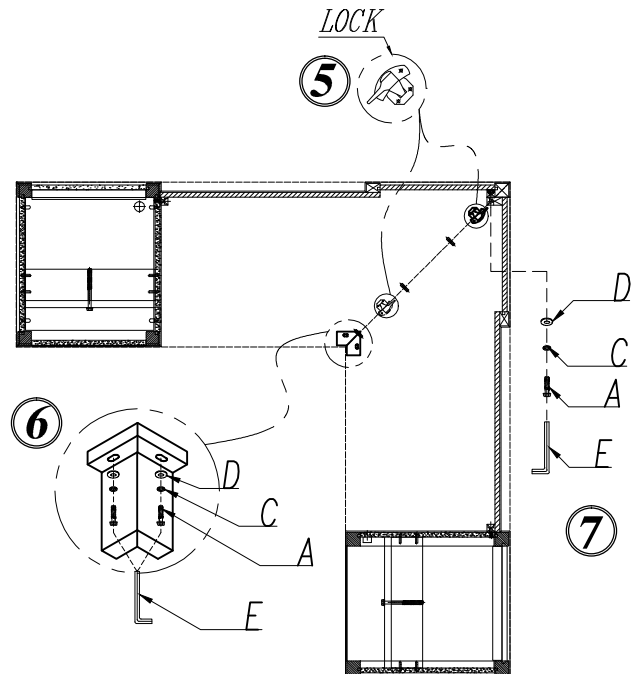
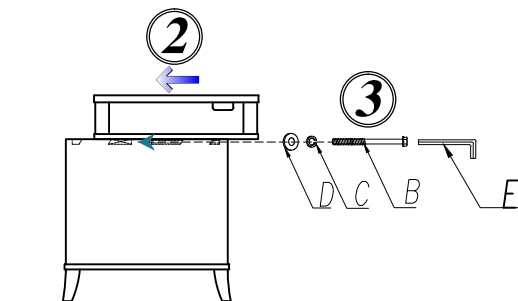
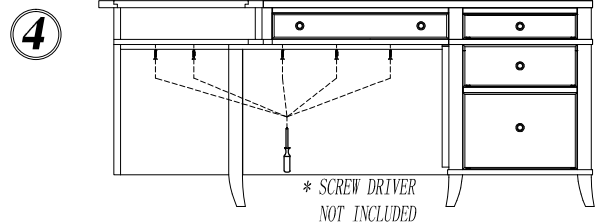
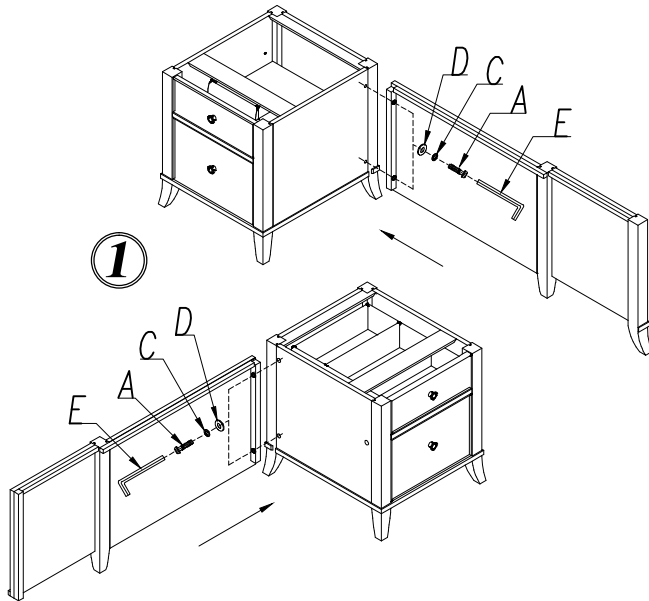
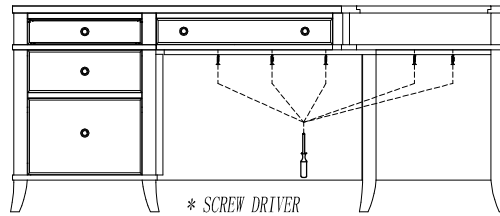
# HEKMAN

A HOWARD MILLER COMPANY

## ASSEMBLY INSTRUCTIONS

### 7-9327 L - DESK

NO.	Hardware List		Q'ty
A		Bolt 5/16" * 1-25/32"L	10
B		Bolt 5/16" * 5-7/8"L	2
C		Lock Washer 5/16" Dia	12
D		Flat Washer 5/16" Dia	12
E		Wrench 3/16" Dia*4-3/4"L	1
F		Screw 8 * 1/4"	10



This desk cannot be moved after it is assembled so it must be assembled in the area it will be used.

The pedestal with the door is on the left as you are sitting at the desk.

The pedestal with the drawers is on the right as you are sitting at the desk.

1. Assemble the left pedestal and the left modesty panel with Flat Washer (D), Lock Washer (C) and Bolt (A). Use Wrench (E) but do not tighten the bolts completely at this time. (see step 1)
2. Assemble the right pedestal and the right modesty panel with Flat Washer (D), Lock Washer (C) and Bolt (A). Use Wrench (E) but do not tighten the bolts completely at this time. (see step 1)

The top assemblies require two people to lift and correctly place on the pedestals and modesty panels.

3. Place the left top assembly on the left pedestal and left modesty panel. The top assembly is set forward on the pedestal then slid back to lock the French cleats that are on the bottom of the top assembly with the matching set on the top of the pedestal. (see step 2)

4. Open the door on the left pedestal assembly to secure the left top assembly to the left pedestal with Bolt (B), Lock Washer (C), and Flat Washer (D). Tighten with Wrench (E). (see step 3)

5. Place the right top assembly on the right pedestal and right modesty panel. The top assembly is set forward on the pedestal then slid back to lock the French cleats that are on the bottom of the top assembly with the matching set on the top of the pedestal. (see step 2)

6. Open the top drawer on the right pedestal assembly to secure the right top assembly to the right pedestal with Bolt (B), Lock Washer (C), and Flat Washer (D). Tighten with Wrench (E). (see step 3)

The next steps attach the left desk assembly to the right assembly. When these two assemblies are connected the desk cannot be safely moved. Assemble the two halves of the desk in the location it will be used.

7. Slide the two half-desk assemblies together by lining up the pins. Then lock the two tops with the table lock hardware.

8. Connect the modesty panels together with Bolt (A), Flat Washer (D), and Lock Washer (C) with Wrench (E) but do not tighten the bolts completely at this time.

9. Attach the corner block between the two drop front drawers with Bolt (A), Flat Washer (D), and Lock Washer (C) with Wrench (E) but do not tighten the bolts completely at this time.

10. With all the bolts started you can tighten all the bolts pulling the assemblies tight and into the correct fit.

11. Secure the desktop to the modesty panels with the included Screws(F) by screwing through the mounting brackets under the desktop.