



**OC-S-63**  
 63-1/4" x 39-3/8" Vikrell® roll-in shower with right seat  
 and grab bars, center drain  
**62070115**



**Features**

- 1/2" (12.7 mm) threshold
- Durable swirl-gloss finish
- Three-piece tongue-and-groove walls with snap-together installation
- Fold-down seat with stainless steel supports on right, grab bars at left and back

**Material**

- Made from solid Vikrell® material for strength, durability, and lasting beauty

**Installation**

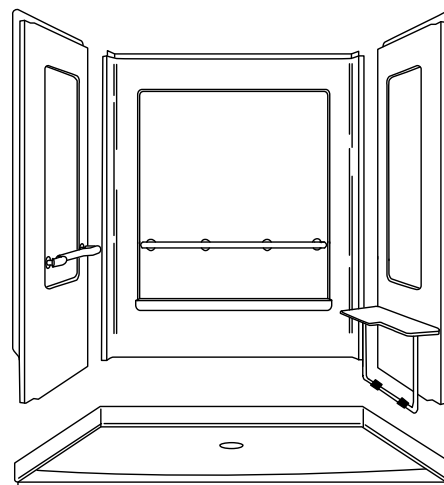
- Alcove
- Center drain
- Caulk required for proper installation

**Recommended Products/Accessories**

K-23726 Drain treatment

**Included Components**

- 62055115 39-3/8" Vikrell® seated shower end wall set with right seat, left grab bar
- 62061100 63-1/2" x 39-3/8" Vikrell® roll-in shower base, center drain, center drain
- 62062103 63-1/4" Vikrell® shower back wall with grab bar



**ADA**

**Codes/Standards**

- CSA B45.5/IAPMO Z124
- ASTM E162
- ASTM E662
- ADA
- HUD, UM Bulletin 73

**STERLING® Vikrell® or Acrylic Baths and Shower Bases Ten-Year Limited Warranty**  
**STERLING® Grab Bars Ten-Year Limited Warranty**

See website for detailed warranty information.

**Available Colors/Finishes**

*Color tiles intended for reference only.*

**Color Code Description**

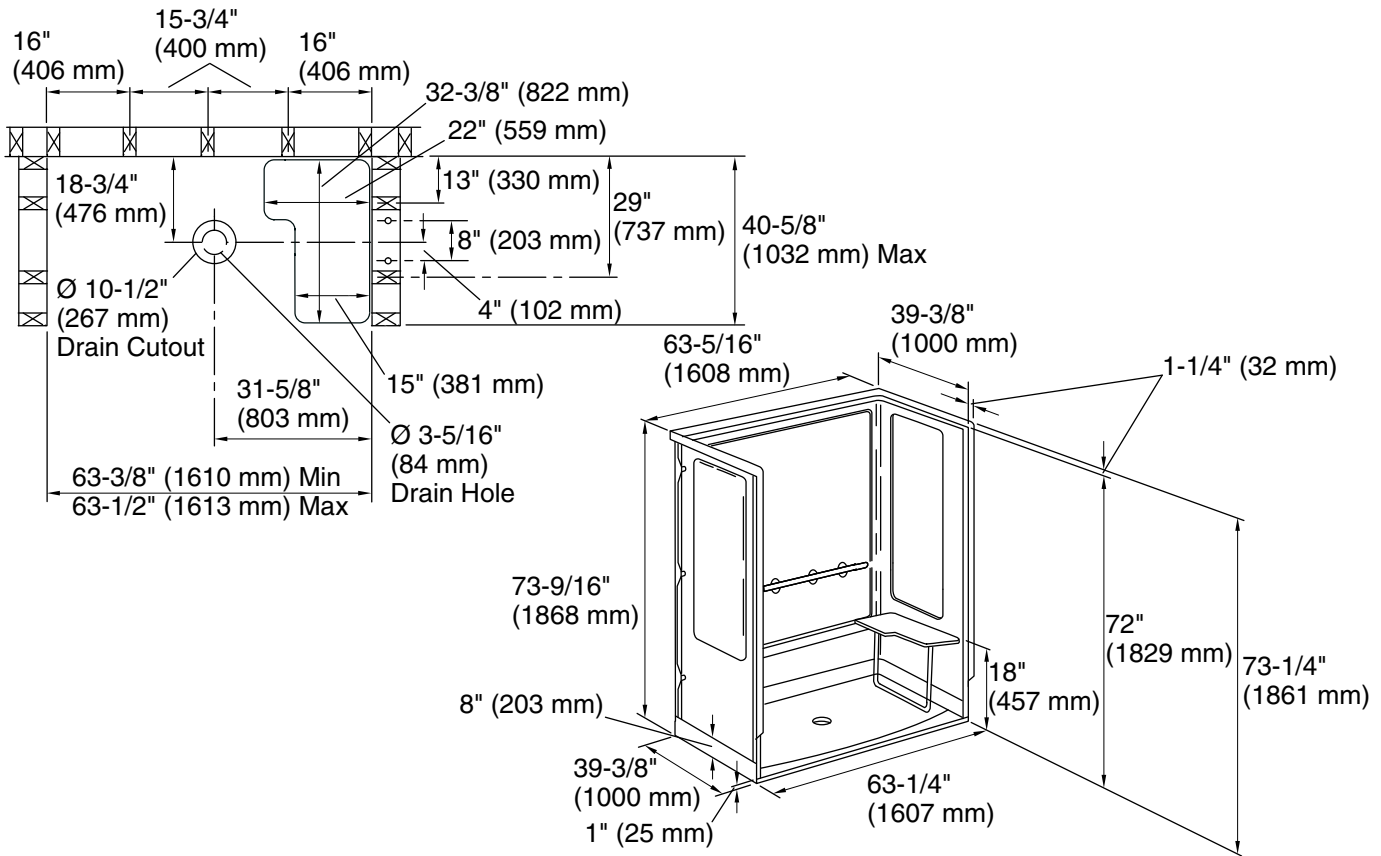
	0	White
--	---	-------

1-800-STERLING (1-800-783-7546)

Kohler Co. reserves the right to make revisions without notice to product specifications.

For the most current Specification Sheet, go to [www.sterlingplumbing.com](http://www.sterlingplumbing.com).

8-25-2025 20:59 - US/CA



**Technical Information**

All product dimensions are nominal.

Drain location: Center

**Notes**

Install this product according to the installation instructions.

1/2" minimum finished floor thickness required. Studs should be positioned as shown.

Backerboards and fasteners protrude beyond the back wall 1-1/2" (38 mm). If installing this product against wall board, 1-1/2" (38 mm) furring strips installed over the wall board are recommended. The stud pocket depth of 40-5/8" (1032 mm) will need to be increased by the combined thickness of the wall board and furring strips.

Drain cutout in subfloor to be 10-1/2" (267 mm) per rough-in illustration as shown to allow the backside of the drain to sit below the subfloor surface.

ADA compliant when installed to the specific requirements of these regulations.