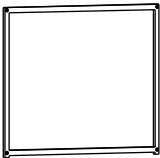
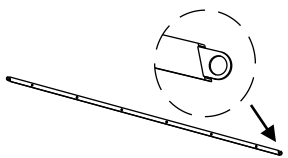
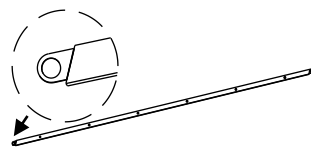





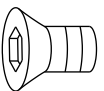
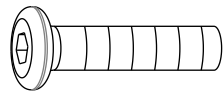
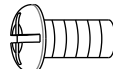

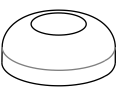

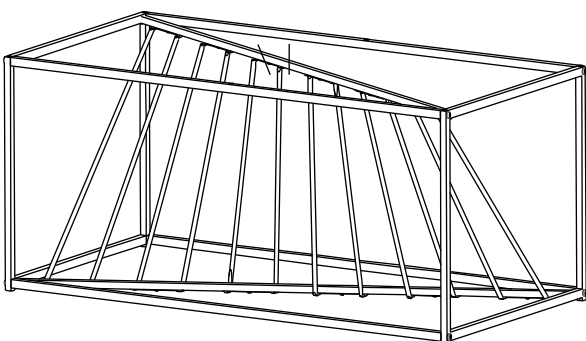


ASSEMBLY INSTRUCTION

COCKTAIL TABLE WITH GLASS TOP

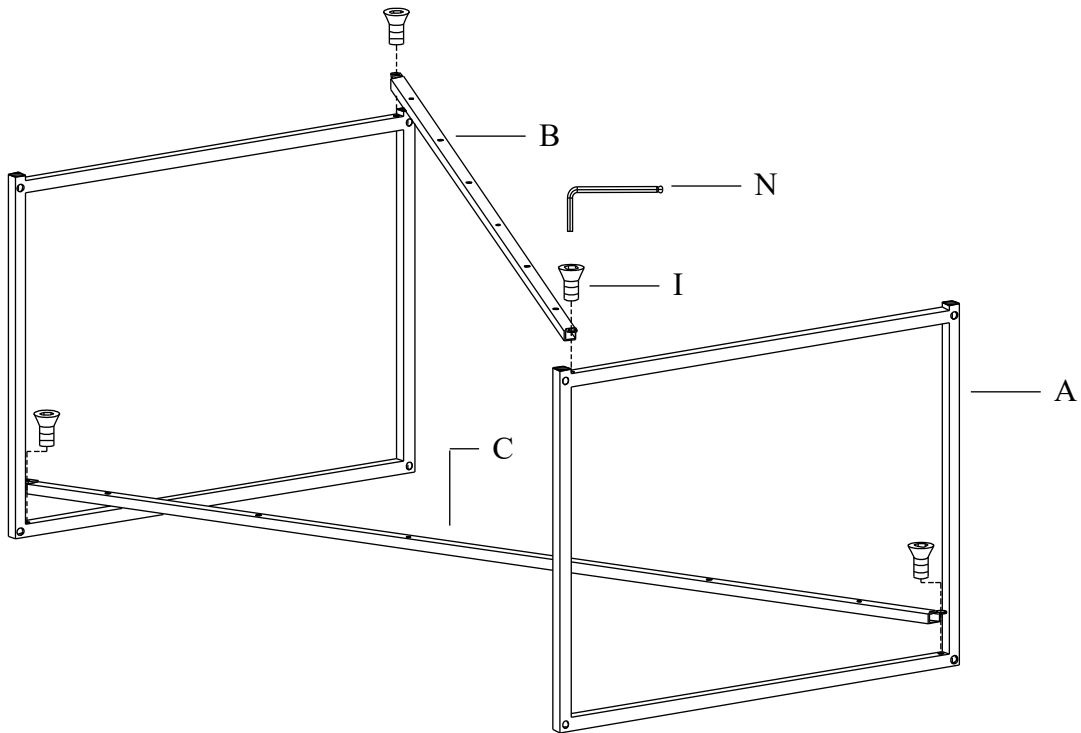
A Side Frame  2pcs	B Under Stretcher  1pc	C Upper Stretcher  1pc	D Stretcher  4pcs
E Side Panel E  2pcs	F Side Panel F  2pcs	G Side Panel G  2pcs	H Glass Top  1pc
I Bolt 1/4" x 1/2"  4pcs	J Bolt 1/4" x 1-1/2"  8pcs	K Screw 3/16" x 1/2"  12pcs	L Glass Pad 10mm  6pcs
M Bolt Cover 1/4"  8pcs	N Allen Wrench 1/4"  1pc		



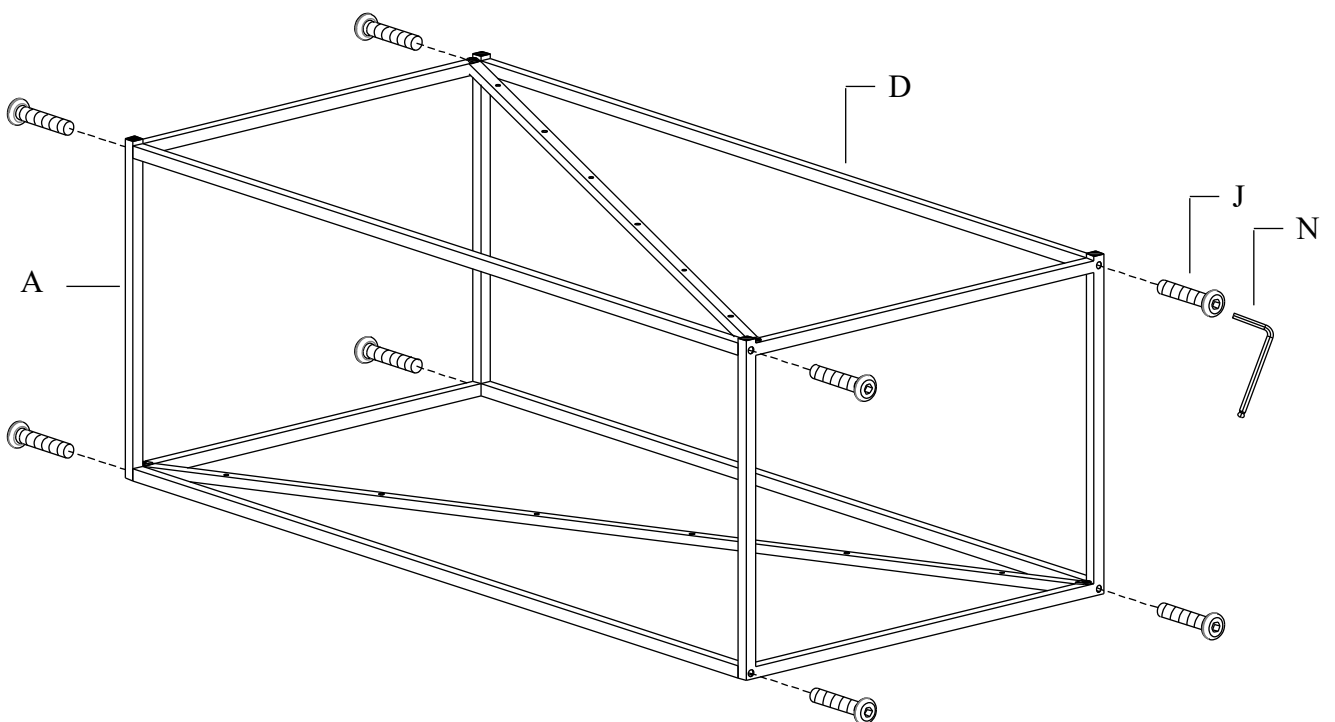
This page lists all the contents included in the box. Please take the time to identify the hardware as well as the individual components to this product. As you unpack and prepare for assembly, place the contents on a carpeted or padded area to protect them from damage.

***** Do not tighten screws & bolts until the entire unit is completely assembled.**

1 Attach Under Stretcher (B) and Upper Stretcher (C) to Side Frame (A) by Bolt (I) and Allen Wrench (N) as shown.

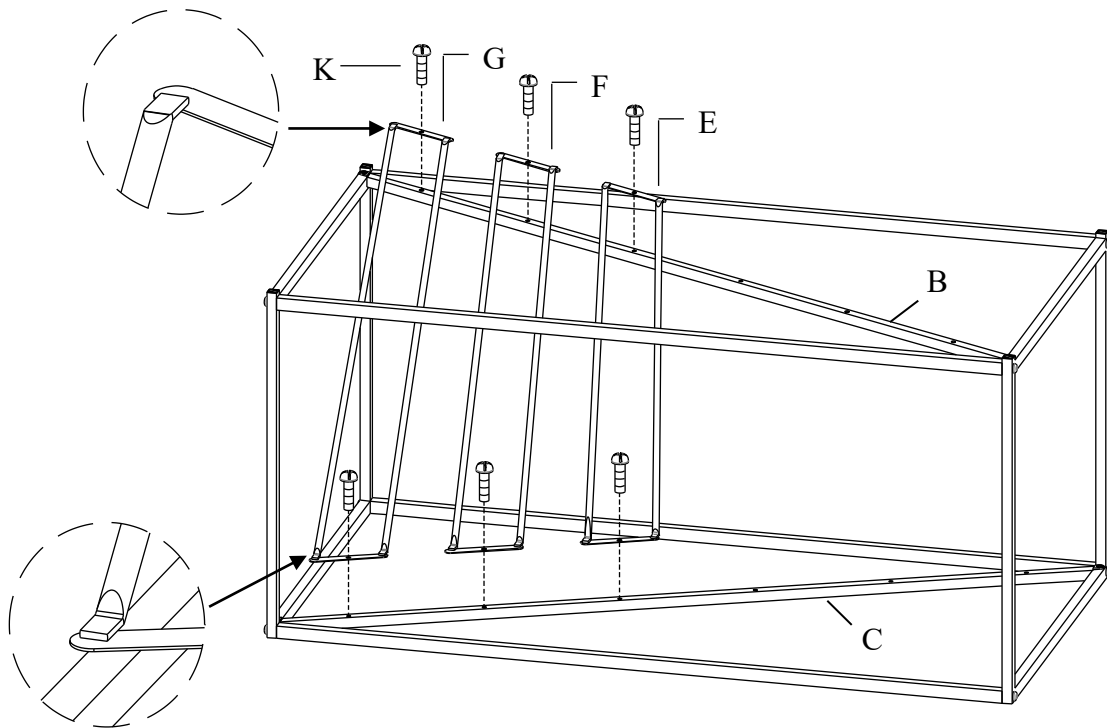


2 Attach Stretcher (D) to Side Frame (A) by Bolt (J) and Allen Wrench (N) as shown.

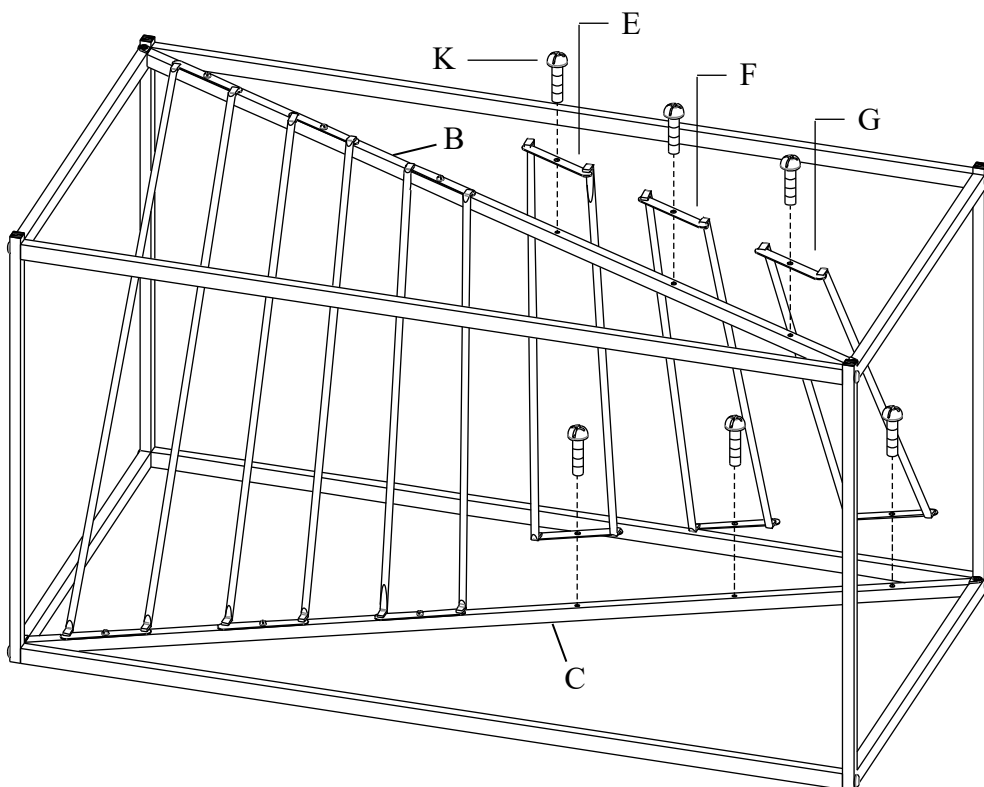


3 Attach Side Panel (E), (F), (G) to Under Stretcher (B) and Upper Stretcher (C) by Screw (K) as shown.

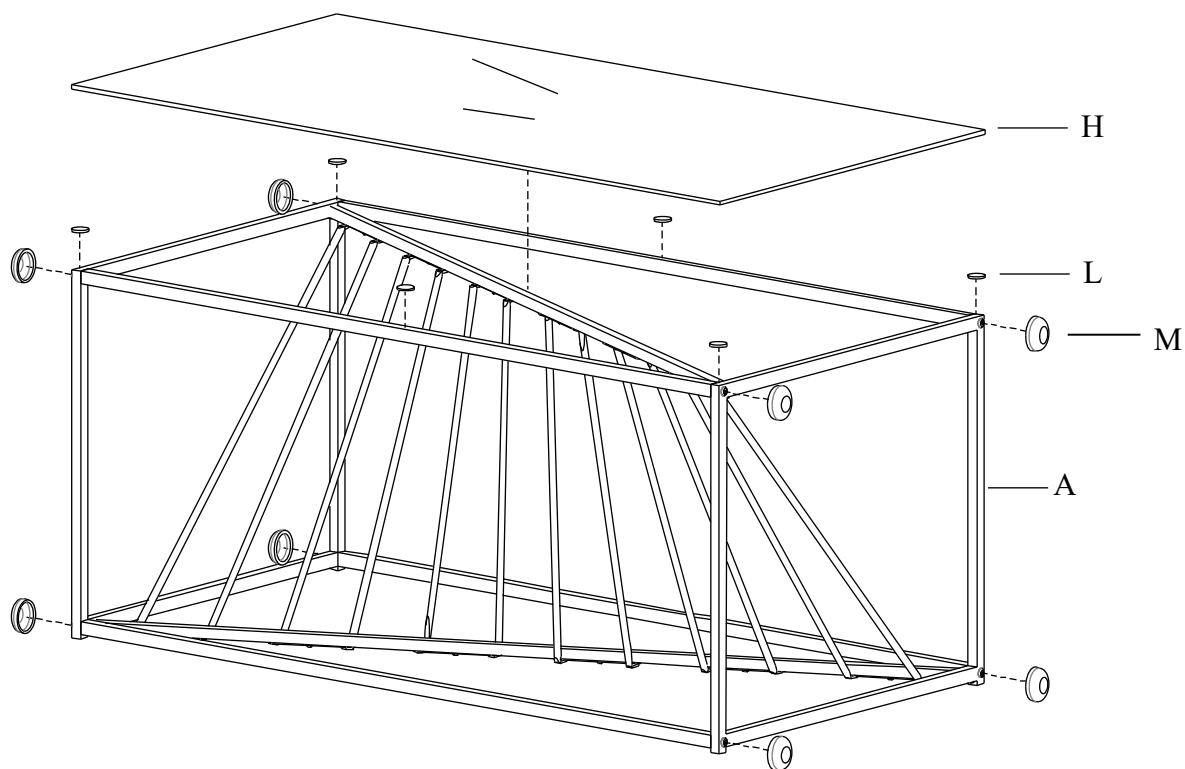
*Please notice the direction of side panels.



4 Attach the other Side Panel (E), (F), (G) to Under Stretcher (B) and Upper Stretcher (C) by Screw (K) as shown.



5 Cover the bolt head by Bolt Cover (M). Attach Glass Pad (L) to Side Frame (A), then place Glass Top (H) as shown.



Cleaning & Care

Treat surface with care. Surface is resistant to scratches but is not scratch resistant. Clean surfaces with a dry or damp soft cloth. Do not use abrasive cleaners. Hardware may loosen over time. Periodically check that all connections are tight.