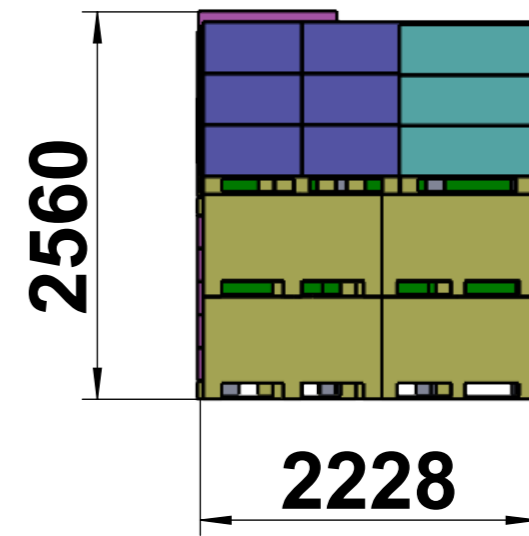
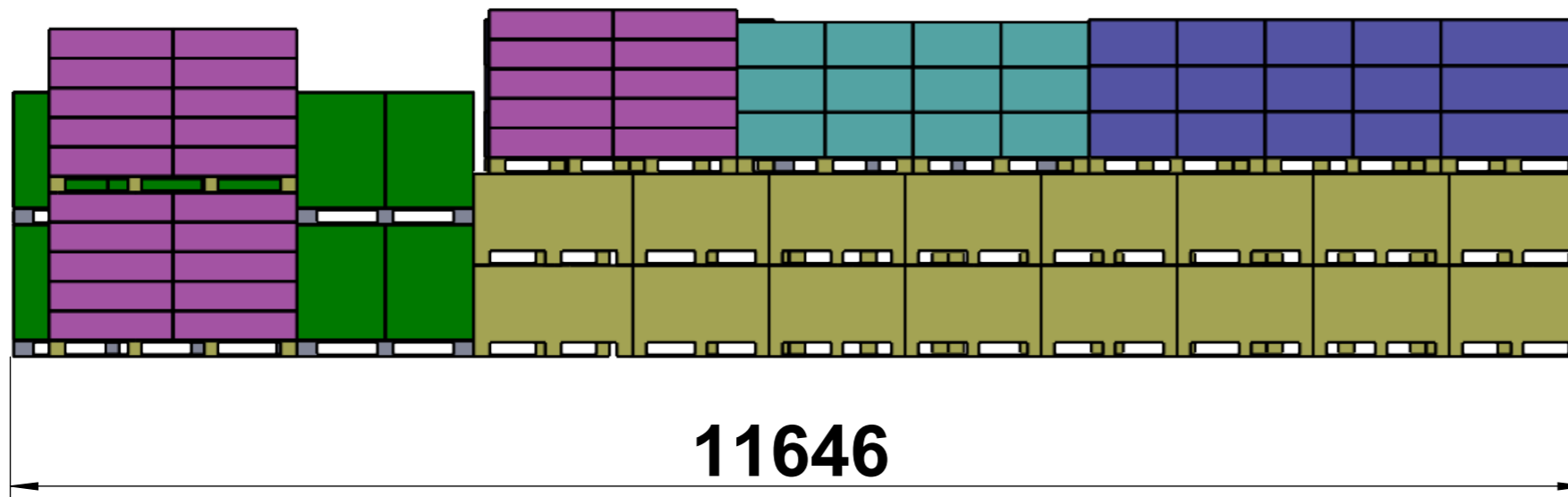
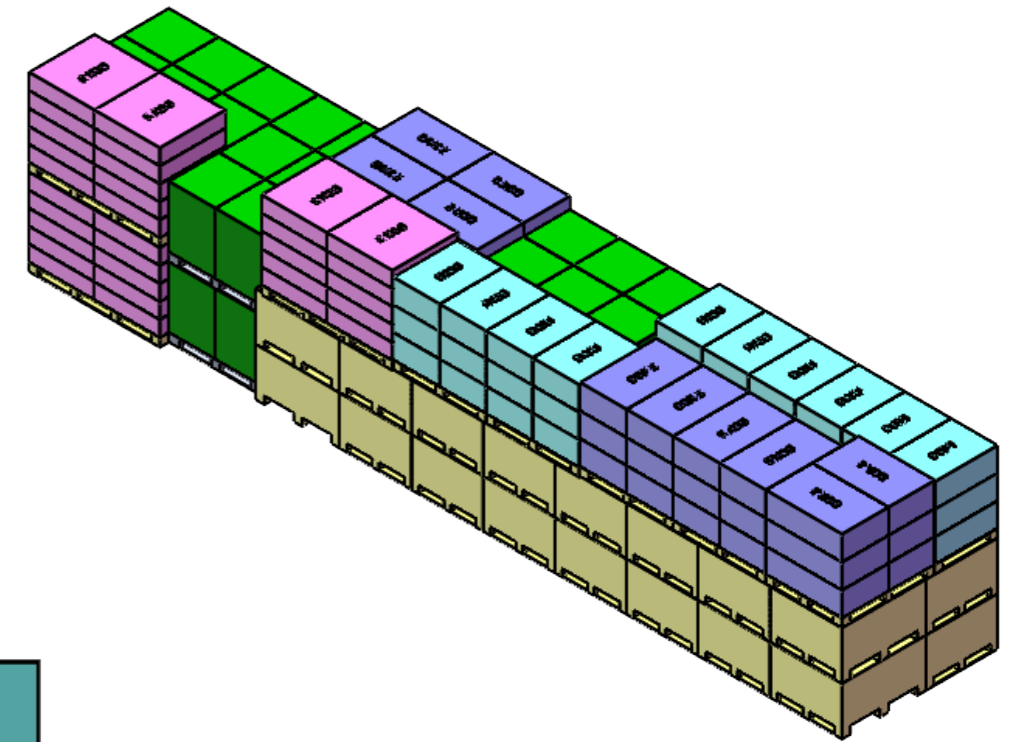


# 2504202 EMORY CORNER KITCHEN ISLAND-COMBO Loading Diagram

**Box #1** 5 pallet, total 30 boxes  
**Box #2** 5 pallet, total 30 boxes  
**Box #3** 3 pallet, total 30 boxes  
**Marble** total 30 crates  
**5 Fridge** pallets, total 30 units  
**Gross weight : 15800 Kg**



1 2 3 4 5 6 7 8

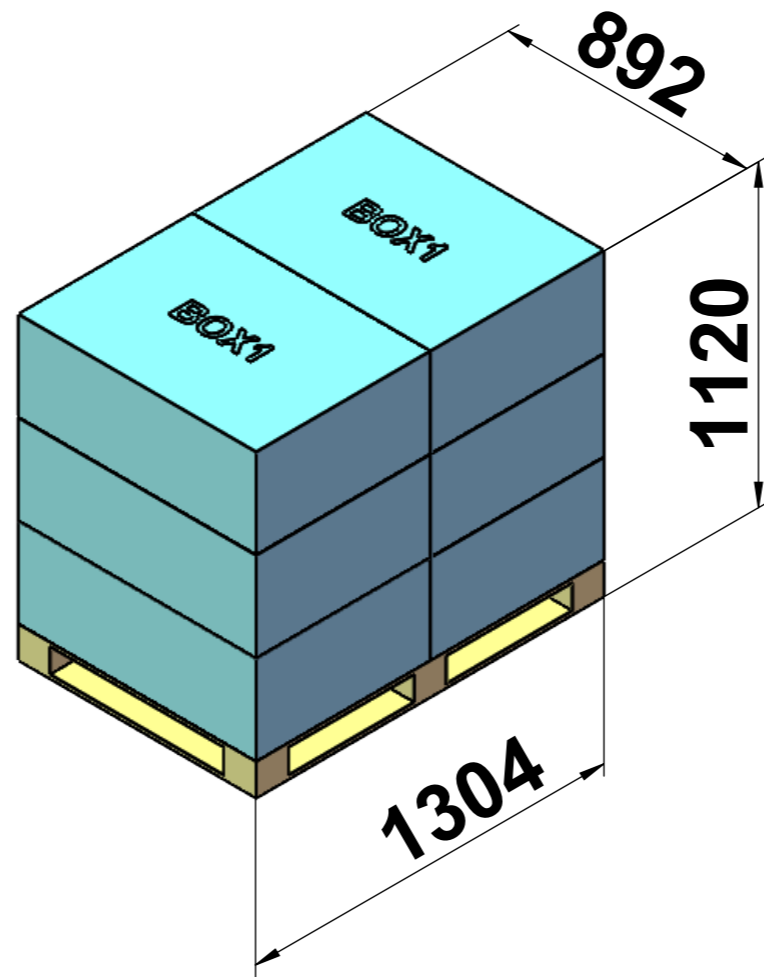
11646

2560

2228

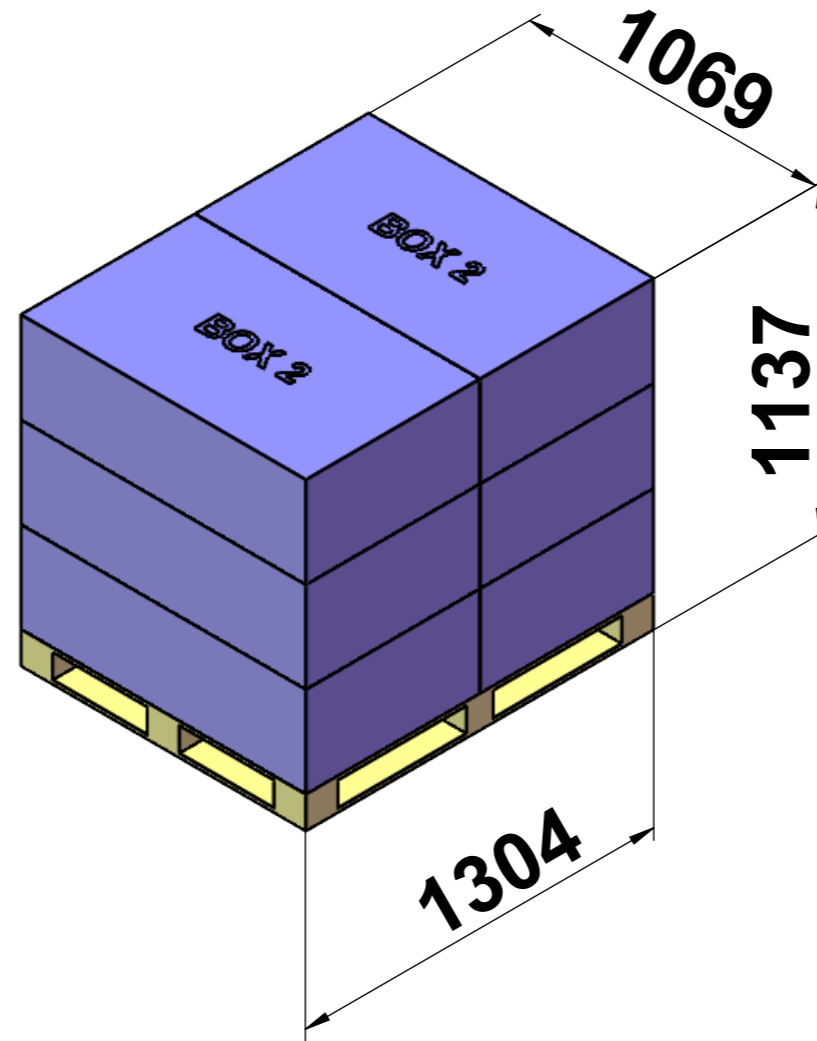
A B C D E F

# BOX 1 Pallet Details



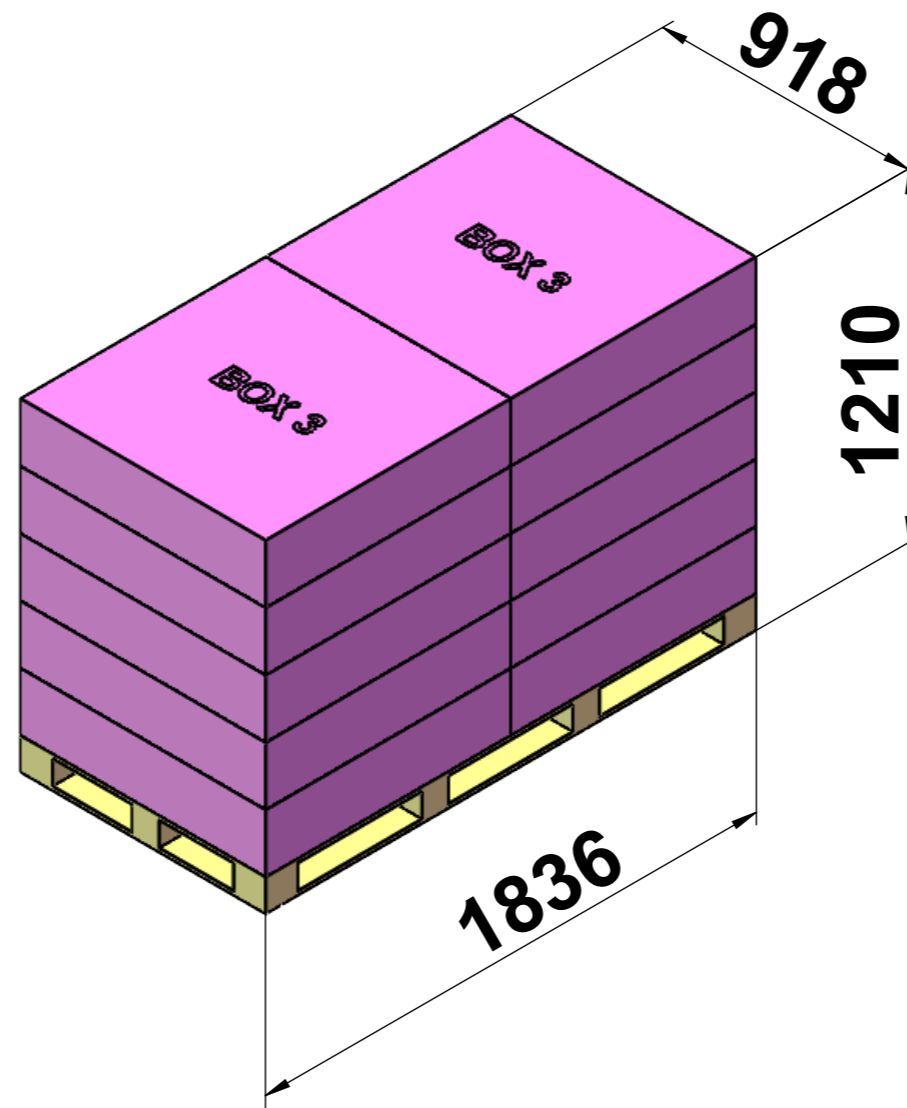
**6 boxes/pallet**  
**5 pallets**

# BOX 2 Pallet Details



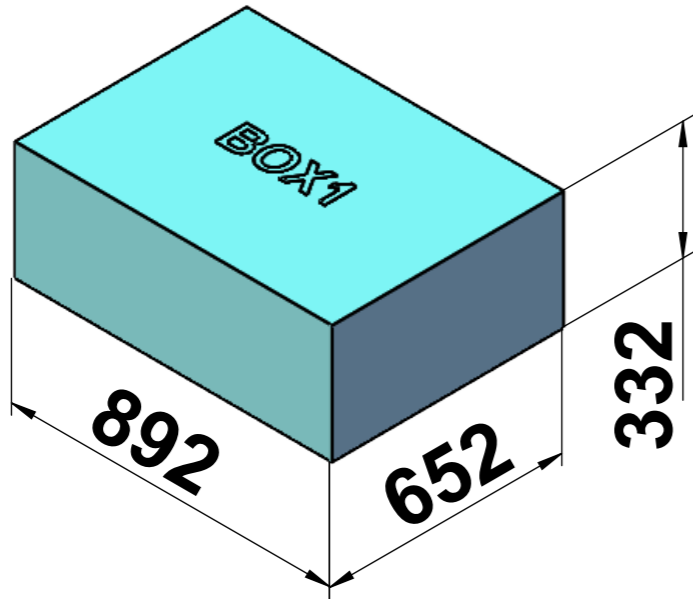
**6 boxes/pallet**  
**5 pallets**

# BOX 3 Pallet Details

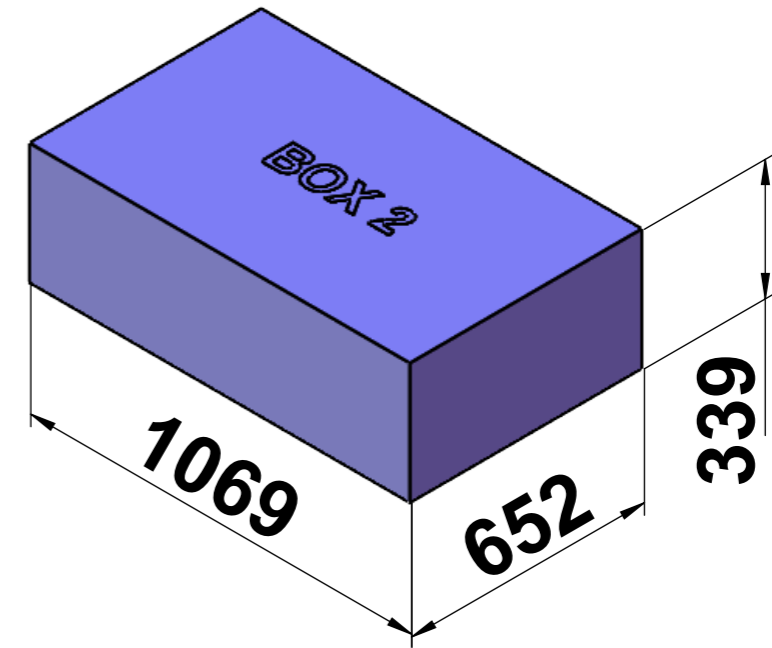


**10 boxes/pallet**  
**3 pallets**

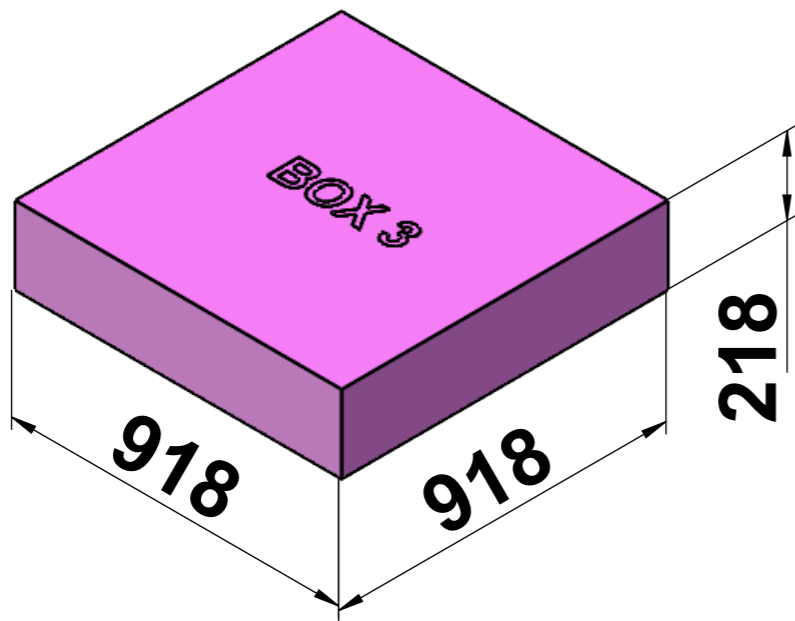
# BOX details



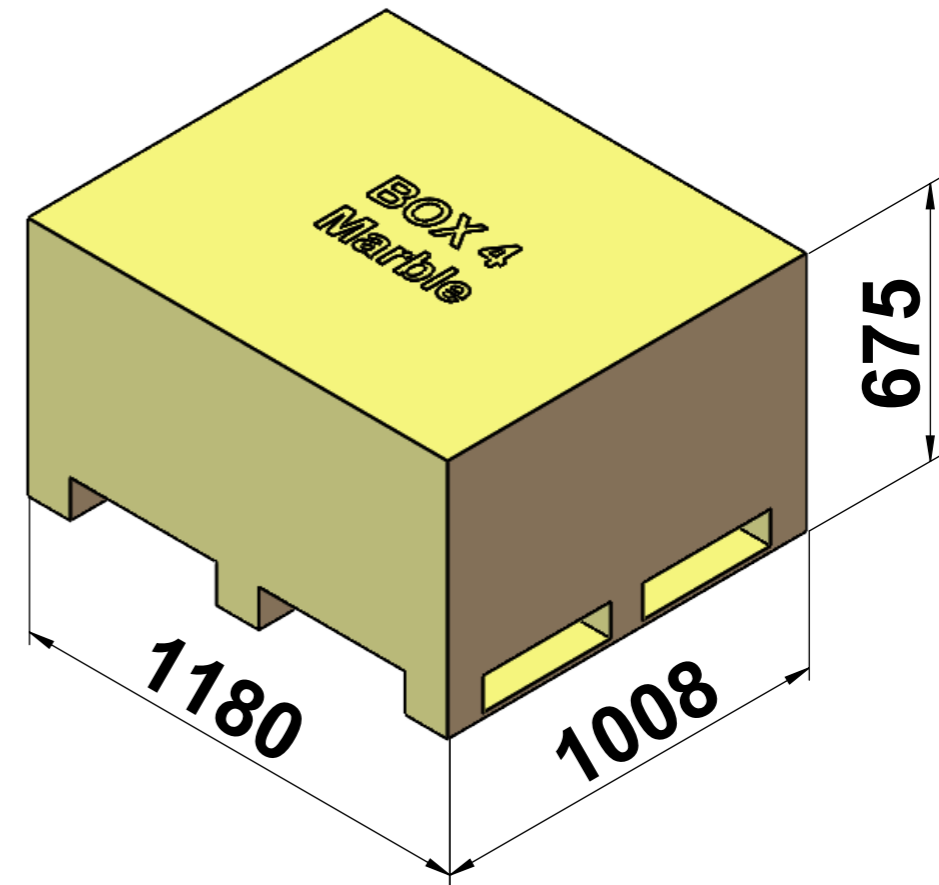
**BOX 1 60 Kg**



**BOX 2 63.5 Kg**



**BOX 3 66.5 Kg**



**MARBLE 215 Kg**