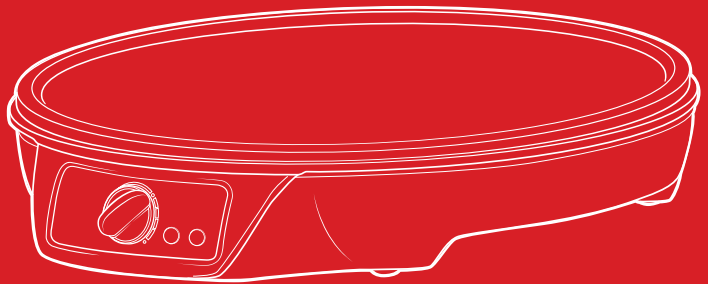




bestchoiceproducts



# INSTRUCTION MANUAL

---

12-inch Pancake Crepe Maker



**bestchoiceproducts**

---

Thank you for choosing us! Since 2002, Best Choice Products has been bringing customers high-quality products at the absolute lowest price. With everything ranging from instruments and toys to furniture and outdoor, we've got your everyday living essentials covered. We're centered around a customer-first philosophy - with free shipping, exceptional customer service, and a catalog sourced with you in mind.

---

## **!** NOTICE

Please retain these instructions for future reference.

- Do not allow children to operate this appliance. Keep appliance out of reach of children.
- Close supervision is necessary when appliance is used near children.
- This item is intended for indoor, household use only.
- Place appliance on a stable, heat-resistant surface.
- Unplug appliance if it is left unattended and before assembly, disassembly, or cleaning.
- Ensure that your voltage is consistent with specifications.
- Using an extension cord is not recommended as it may overheat and cause a risk of fire.
- This appliance is not intended for use by persons (including children) with reduced physical, sensory or mental capabilities, or lack of experience and knowledge, unless they have been given supervision or instruction concerning use of the appliance by a person responsible for their safety.
- If any parts are missing, broken, damaged, or worn, stop using this product until repairs are made and/or factory replacement parts are installed.
- Do not use this item in a way inconsistent with the manufacturer's instructions as this could void the product warranty.

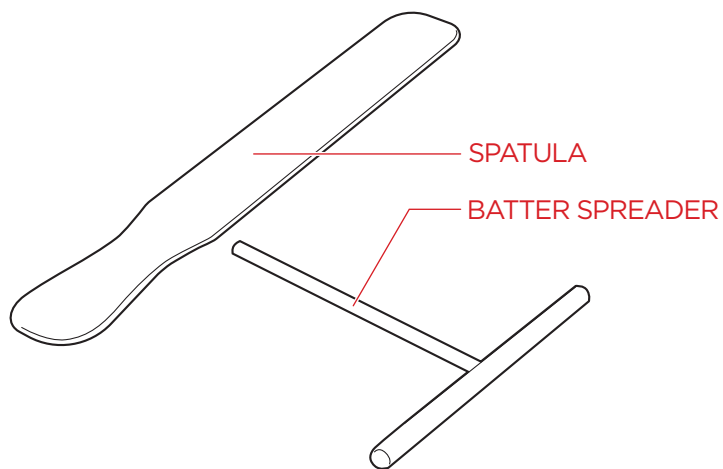
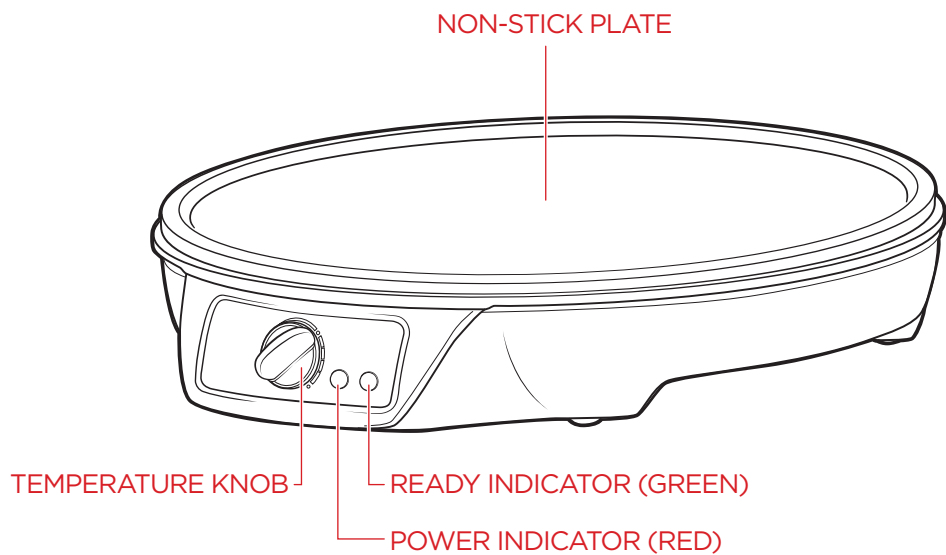
## **WARNINGS**

- Do not leave appliance unattended.
- Keep appliance away from direct sunlight and other sources of heat (stove, heater, etc.).
- Do not touch hot surfaces with bare hands.
- Do not turn off or unplug appliance while it is in operation.
- Do not run power cord over sharp edges/corners or a hot surface.
- Do not pull or carry appliance by the power cord.
- Do not immerse appliance in water or any other liquid.
- Do not cover vents or obstruct openings.
- Do not unplug the appliance by pulling on the power cord. Always grasp the plug firmly and pull straight out from the outlet.
- Do not move appliance while it is plugged in or operating.
- Do not use if the plug, power cord, or any components are damaged.
- Do not use any accessory or fitting other than original accessories and fittings.

## **SPECIFICATIONS**

- Voltage: 120V, 60Hz
- Rated power: 1000 watts

## DIAGRAM



## SETTING UP THE APPLIANCE

1. Remove all packaging. Inspect appliance to make sure it is in good condition.
2. Wipe non-stick plate and exterior of unit with a damp cloth and allow to dry.
3. Place on a stable, heat-resistant surface.
4. Arrange appliance so it is at least 12 inches away from other kitchen appliances and not up against a wall.
5. Grease the non-stick plate with a small amount of cooking oil.

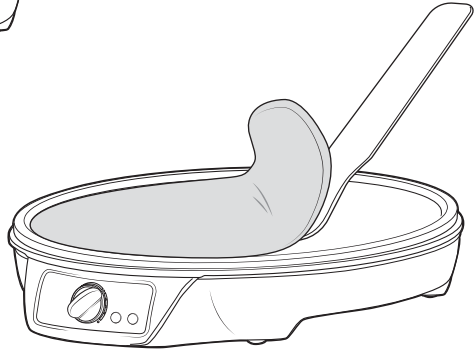
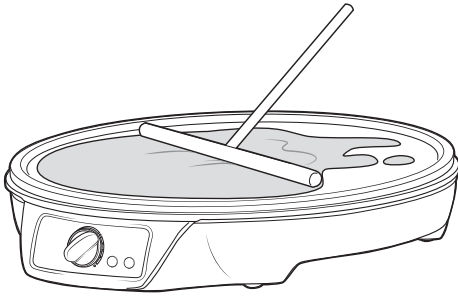
## OPERATING INSTRUCTIONS

**NOTE:** Harmless smoke and mild smell may emit from the appliance the first time it is heated. This is normal and does not affect safety or performance.

1. Plug appliance into a wall outlet. The power indicator and ready indicator will turn on.
2. Turn the temperature knob to MAX. The ready indicator will turn off, indicating the appliance is heating up.
3. When the ready indicator turns back on, the crepe maker is preheated and ready for use.
4. Add a light layer of cooking oil and carefully pour batter onto the non-stick plate. Use the batter spreader to spread the batter in a circular motion.
  - The ready indicator will turn on and off during cooking to maintain temperature.
5. Once one side of the crepe is solid, flip it with the spatula.
6. When the crepe is fully cooked, carefully remove it with the spatula.
7. Repeat steps 4 to 6 to cook additional crepes.
8. Stack cooked crepes layered between sheets of wax paper. Cover crepes with foil and place in a 200°F oven to keep warm.



## OPERATING INSTRUCTIONS



## USAGE TIPS

- Do not cut crepes or pancakes directly on the non-stick plate as it may damage the non-stick coating.
- Do not use sharp or metal utensils on the non-stick plate.
- Only use wood or heatproof plastic utensils on the non-stick plate.

## CLEANING AND STORAGE

**NOTE:** Do not immerse or soak the unit in water or any other liquid.

- Unplug and let appliance cool before cleaning or storage.
- Appliance is not dishwasher safe.
- Wipe non-stick plate with a damp cloth. If necessary, use a small amount of mild detergent and a sponge.
- Clean accessories with warm water and mild detergent.
- Wipe the exterior of the unit with a damp cloth.
- Do not clean with steel wool, abrasive detergents, or corrosive liquids like gasoline or acetone.
- Place unit and accessories in a cool, well-ventilated place to dry.
- Store in a cool, dry place away from direct sunlight. Appliance can be stored vertically if necessary.

Earn points while you shop. Join today!

bestchoiceproducts  
**rewards**

Join | Earn | Redeem

Give your friends 15% off their first order! For each successful referral you'll receive 100 points.

[bestchoiceproducts.com](https://bestchoiceproducts.com)



# HELP CENTER



Question about your product? We're here to help. Visit us at:

[help.bestchoiceproducts.com](http://help.bestchoiceproducts.com)



Chat Support



Product Inquiry



Orders FAQ



Product Assembly



Returns & Refunds

## PRODUCT WARRANTY INFORMATION

All items can be returned for any reason within 60 days of the receipt and will receive a full refund as long as the item is returned in its original product packaging and all accessories from its original shipment are included. All returned items will receive a full refund back to the original payment method. All returned items will not be charged a re-stocking fee.

All returned items require an RA (Return Authorization) number, which can only be provided by a Best Choice Products Customer Service Representative when the return request is submitted. Items received without an RA may not be accepted or may increase your return processing time. Once an item has been received by Best Choice Products, refunds or replacements will be processed within 5 business days.

All returns must be shipped back to the Best Choice Products Return Center at the customer's expense. If the reason for return is a result of an error by Best Choice Products then Best Choice Products will provide a pre-paid shipping label via email. Boxes for return shipping will not be provided by Best Choice Products, and is the customer's responsibility to either use the original shipping boxes or purchase new boxes.

Pictures may be required for some returns to ensure an item is not damaged prior to its return. Items returned are not considered undamaged until they are received by Best Choice Products and verified as such. All damages to items are the customer's responsibility until the item has been received by and acknowledge by Best Choice Products as undamaged.



## WARNING

Manufacturer and seller expressly disclaim any and all liability for personal injury, property damage or loss, whether direct, indirect, or incidental, resulting from the incorrect attachment, improper use, inadequate maintenance, or neglect of this product.