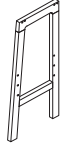


ASSEMBLY INSTRUCTION

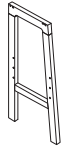
2-DRAWER TV STAND

A Leg Frame - Left



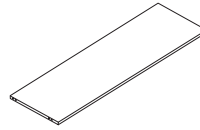
1 PC

B Leg Frame - Right



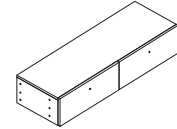
1 PC

C Top Panel



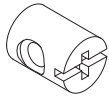
1 PC

D Drawer Box



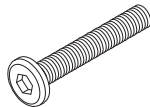
1 PC

E Barrel Nut
Ø1/4" x 12mm



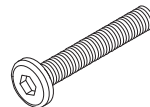
4 PCS

F Allen Bolt
Ø1/4" x 60mm



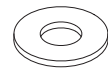
4 PCS

G Allen Bolt
Ø1/4" x 32mm



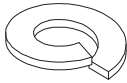
8 PCS

H Flat Washer
Ø1/4" x 16mm



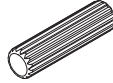
8 PCS

I Lock Washer
Ø1/4"



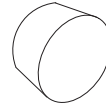
8 PCS

J Wood Dowel
Ø8 x 30mm



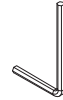
8 PCS

K Wooden Button
Ø14 x Ø11 x 12mm



4 PCS

L Allen Key
4mm x 60mm

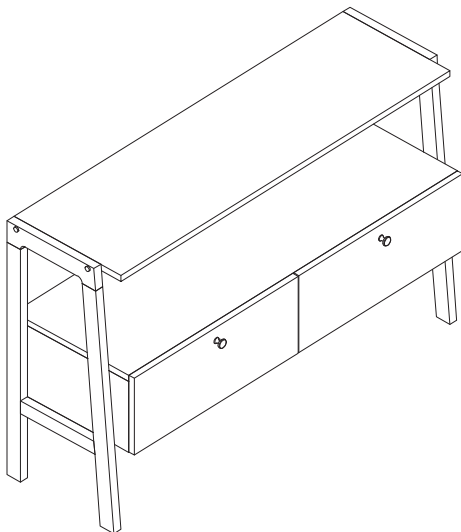


1 PC

M Anti-Tipping Kit
(With Individual Instruction)

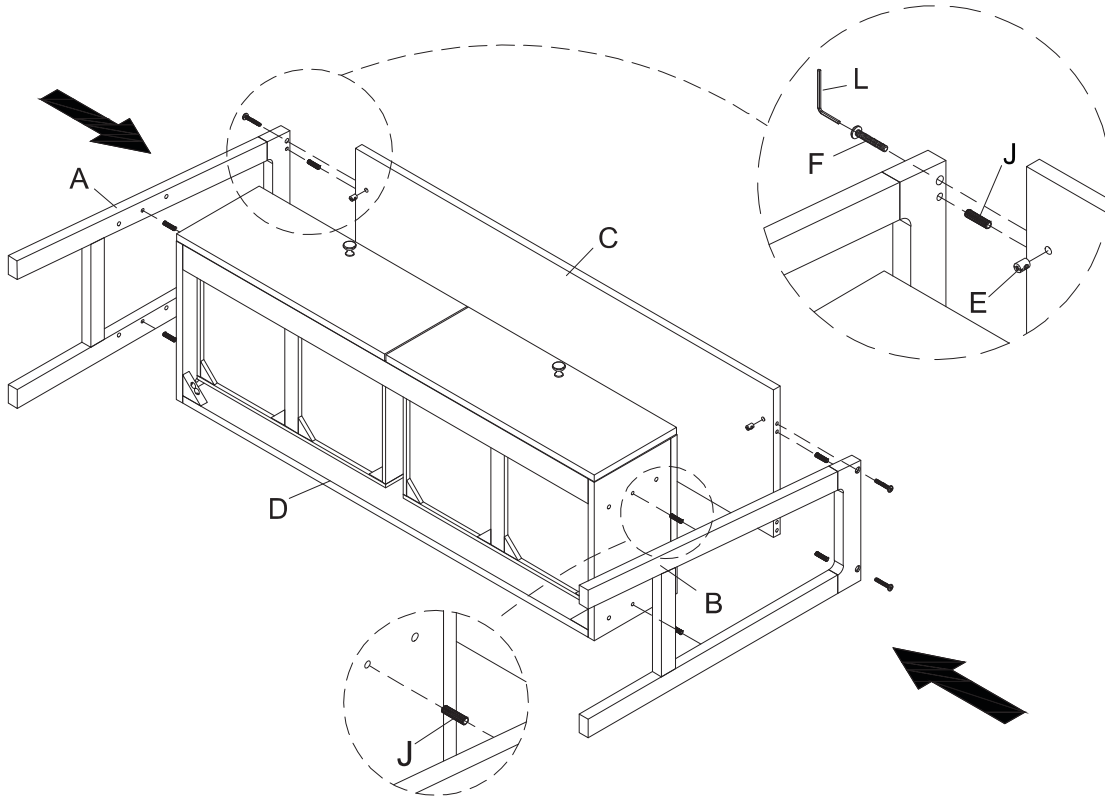


1 SET

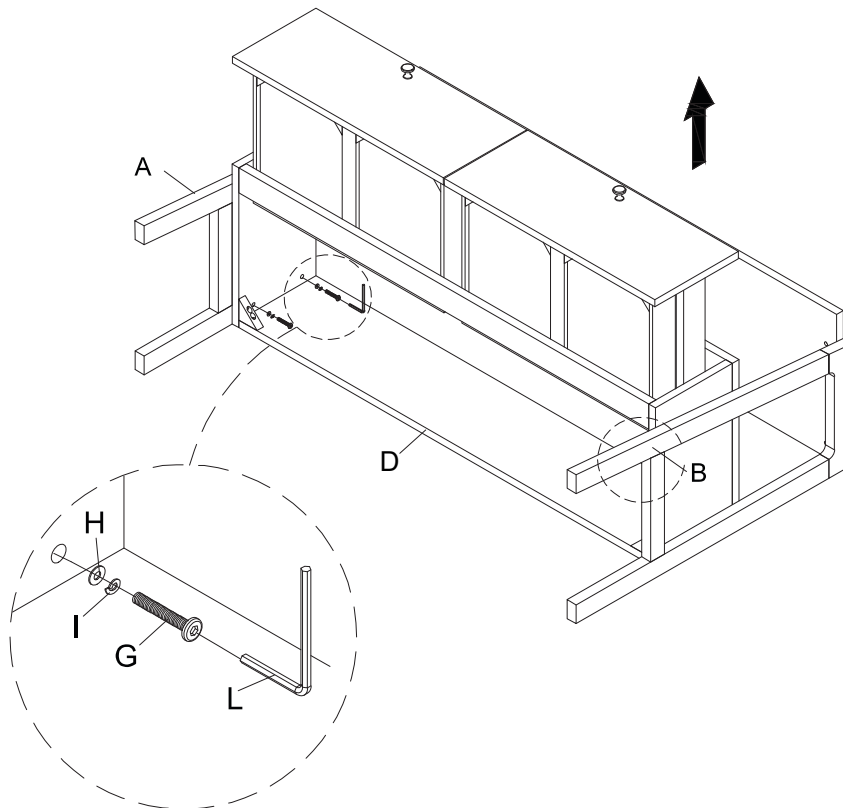


This page lists all the contents included in the box. Please take the time to identify the hardware as well as the individual components to this product. As you unpack and prepare for assembly, place the contents on a carpeted or padded area to protect them from damage.

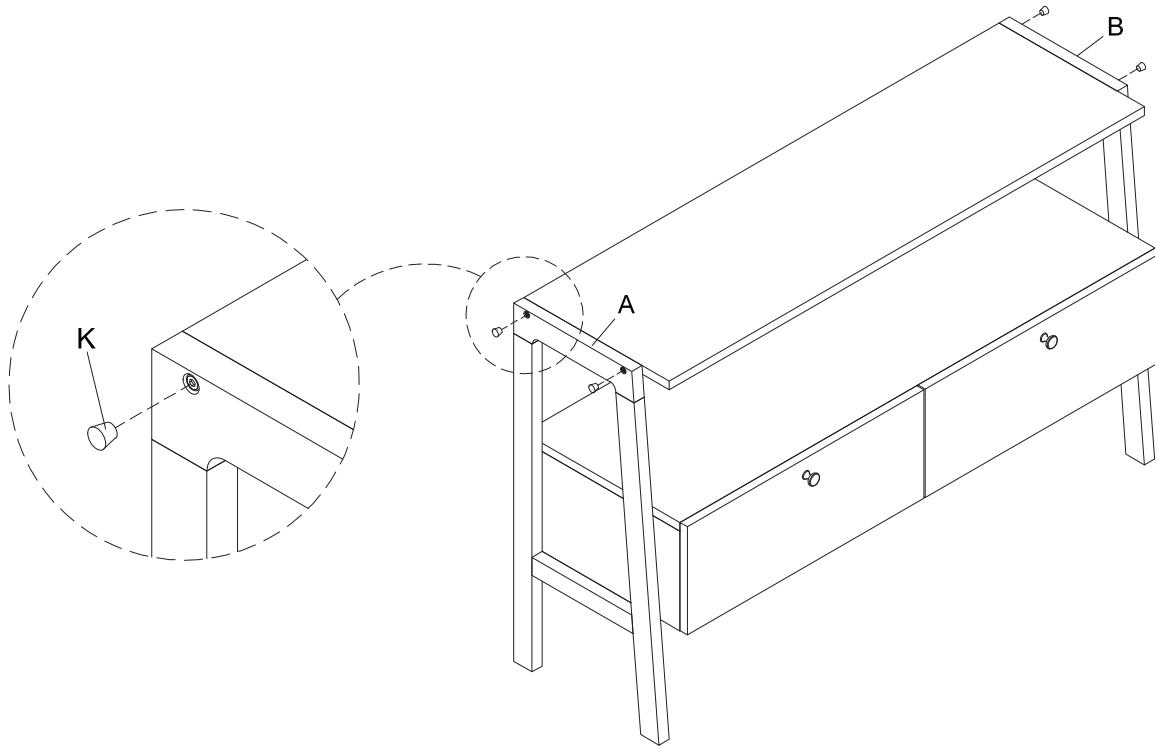
- 1** Insert Barrel Nut (E) into the bottom of Top Panel (C). Attach Left & Right Leg Frame (A & B) to the Top Panel (C) and Drawer Box (D) using Wood Dowel (J). Then, fix Left & Right Leg Frame (A & B) with Top Panel (C) using Allen Bolt (F) with Allen Key (L).



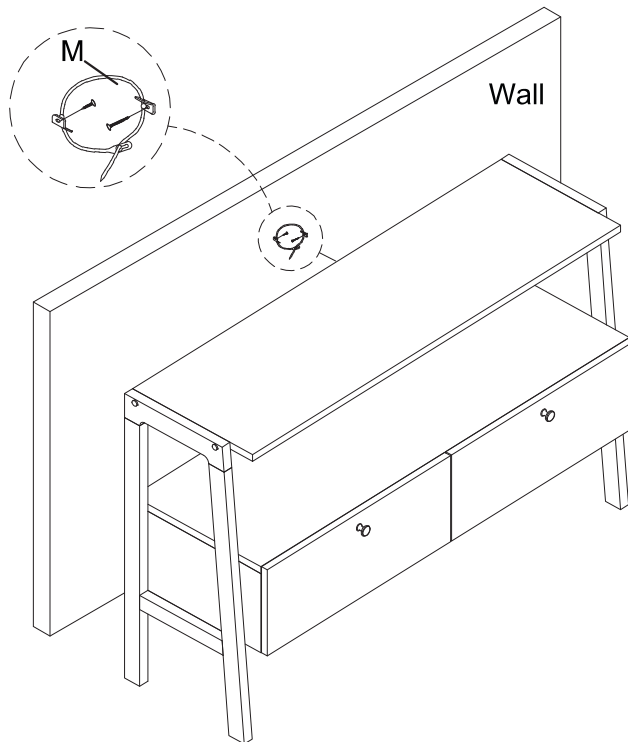
- 2** Pull out the drawers. Fix Left & Right Leg Frame (A & B) with Drawer Box (D) using Allen Bolt (G), Lock Washer (I) and Flat Washer (H) with Allen Key (L).



3 Cover bolt holes on Left & Right Leg Frame (A & B) with Wooden Button (K).



4 Please install Anti-Tipping Kit (M) on the back of the product according to the individual instruction.



Cleaning & Care

Treat surface with care. Surface is resistant to scratches but is not scratch resistant. Clean surfaces with a dry or damp soft cloth. Do not use abrasive cleaners. Hardware may loosen over time. Periodically check that all connections are tight.