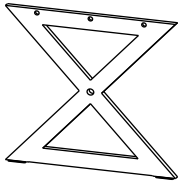


ASSEMBLY INSTRUCTION

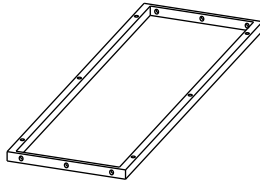
E354(3A) 40"W X-BASE BENCH

A Side Panel



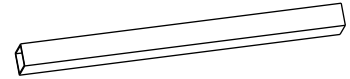
2pcs

B Metal Frame



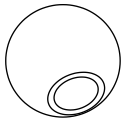
1pc

C Stretcher



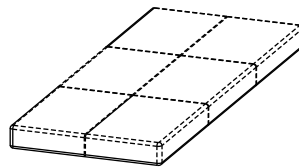
1pc

D Round Finial



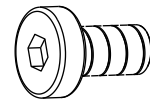
2pcs

E Cushion



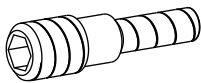
1pc

F Bolt
1/4" x 3/4"



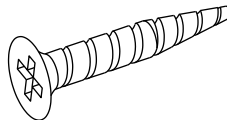
6pcs

G Screw
50mm



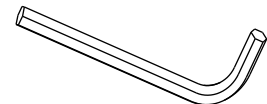
2pcs

H Screw
8 x 1-3/8"



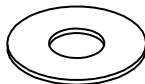
6pcs

I Allen Wrench
1/4"

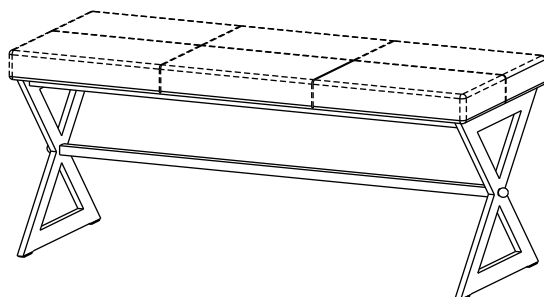


1pc

J Washer
13mm



8pcs

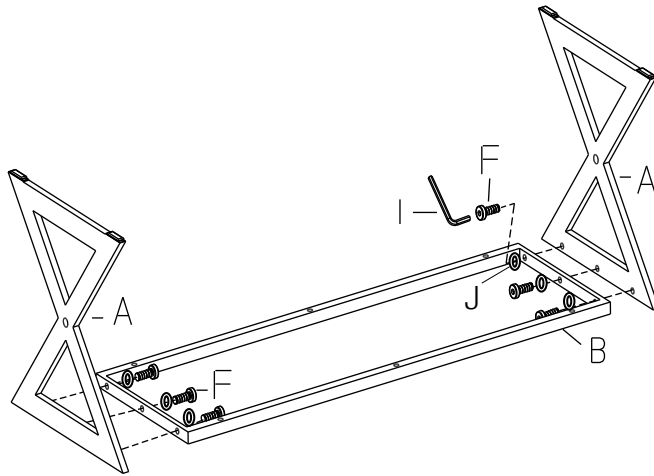


This page lists all the contents included in the box. Please take the time to identify the hardware as well as the individual components to this product. As you unpack and prepare for assembly, place the contents on a carpeted or padded area to protect them from damage.

Do not tighten screws & bolts until the entire unit is completely assembled.

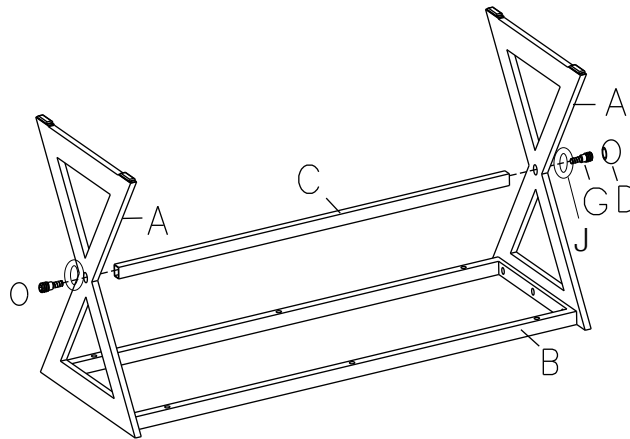
1

Attach Metal Frame (B) to Side Panel (A) by using Screw (F), Washer (J) and Allen Wrench (I).



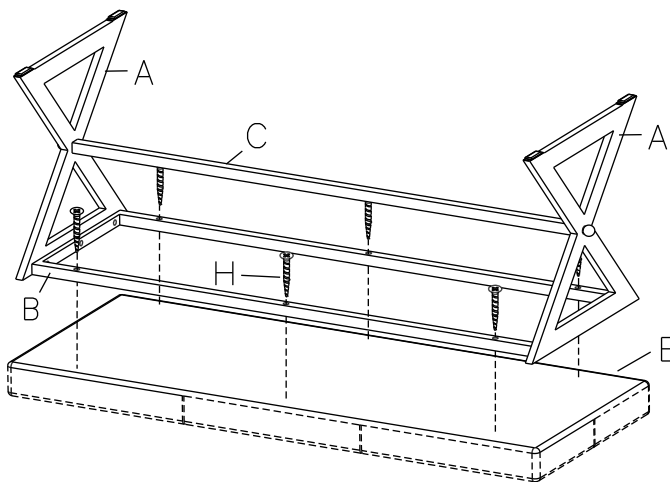
2

Attach the Stretcher (C) to the hole between the middle of the Side Panel (A) by using Screw (G), Washer (J) and then attach Round Finial (D) as shown.



3

Fix the assembled metal base on Cushion (E) by using Wood Screw (H) as shown below.



Cleaning & Care

Treat surface with care. Surface is resistant to scratches but is not scratch resistant. Clean surfaces with a dry or damp soft cloth. Do not use abrasive cleaners. Hardware may loosen over time. Periodically check that all connections are tight.