

KALLISTA®

For Town by KALLISTA Sink Faucet, Low Spout Cross Handles P22731-00

Features

- High-quality solid-brass construction for durability and reliability
- Widespread sink faucet for 8" – 16" (203 – 406 mm) centers
- 1.2 gpm (4.5 lpm) maximum flow rate
- Spout reach is 4-3/4" (121 mm)
- Includes drain and lift rod

Recommended Products/Accessories

P22740-00 For Town Single Control Sink Faucet
P31000-00 Towel Bar, 24"
P31006-00 Hook



ADA

CSA B651

Codes/Standards

ASME A112.18.1/CSA B125.1

EPA WaterSense®

ADA

ICC/ANSI A117.1

CSA B651

KALLISTA® Five-Year Limited Warranty

See website for detailed warranty
information.

Available Colors/Finishes

Color tiles intended for reference only.

Color Code Description



AD Nickel Silver

CP Polished Chrome

1-888-4-KALLISTA (1-888-452-5547)

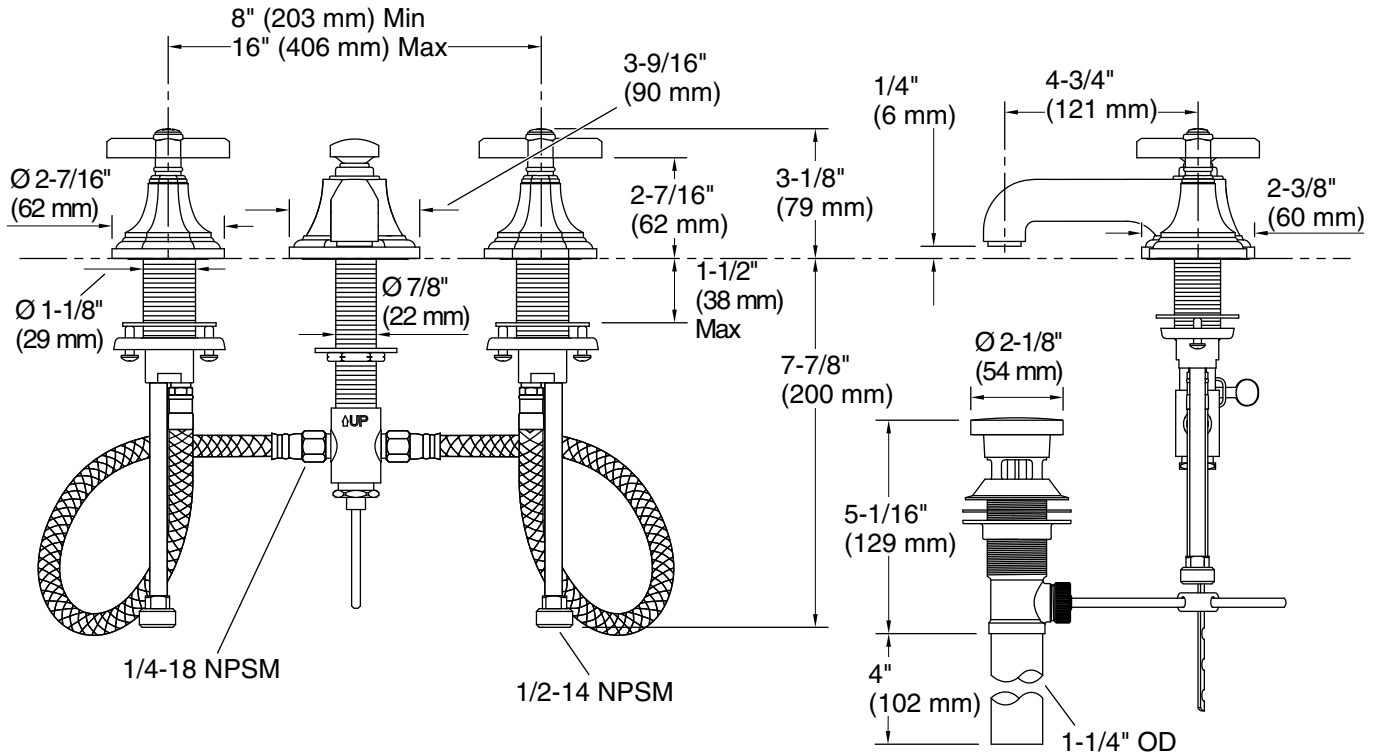
Kallista reserves the right to make revisions without notice to product specifications.

For the most current Specification Sheet, go to www.kallista.com.

1-26-2026 20:34 - US

KALLISTA

For Town by KALLISTA Sink Faucet, Low Spout Cross Handles P22731-00



Technical Information

All product dimensions are nominal.

Faucet flow rate: 1.2 gal/min (4.5 l/min)

Drain included: Yes

Drain with overflow: Yes

Spout:

Spout reach: 4-3/4" (121 mm)

Pressure/fixture Supply Requirements

Fixture pressure max (static): 130 psi (896.3 kPa)

Fixture pressure min (static): 120 psi (827.4 kPa)

Min flow rate: 1.2 gpm (4.5 lpm)

Notes

ADA, CSA B651 compliant when installed to the specific requirements of these regulations.