



# Groove® | K-9949

60" x 32" alcove shower base, left drain

## Features

- Low-threshold design for easy entry and exit
- Recessed left drain
- Single threshold for three-wall installation
- Requires Groove aluminum drain cover or Groove teak drain cover (sold separately)



1-800-4KOHLER (1-800-456-4537)  
Kohler Co. reserves the right to make revisions without notice to product specifications.  
For the most current specification sheet, go to [www.kohler.com](http://www.kohler.com) USA or [www.kohler.ca](http://www.kohler.ca) Canada.  
5-12-2026 22:26 - US-CA

THE BOLD LOOK  
OF **KOHLER**®

---

## Codes/Standards

CSA B45.5/IAPMO Z124  
ASTM E162  
ASTM E662

---

## Technical Information

*All product dimensions are nominal.*

Drain Location:	Left
Drain Hole Diameter:	3-3/8" (86 mm)
Shower Ledge Minimum Flat:	2-1/2" (64 mm)
Minimum Floor Load:	20 lbs/ft <sup>2</sup>
Weight:	65 lbs (29.5 kg)

---

## Material

- Acrylic
- 

## Recommended Products/Accessories

K-23726 Drain treatment  
K-23732 Tub & shower cleaner  
K-9132 Round shower drain for use with plastic pipe, gasket included

---

## Required Products/Accessories

- K-9330 Aluminum cover, 32"

or

- K-9334 Teak drain cover 32" receptor
- 

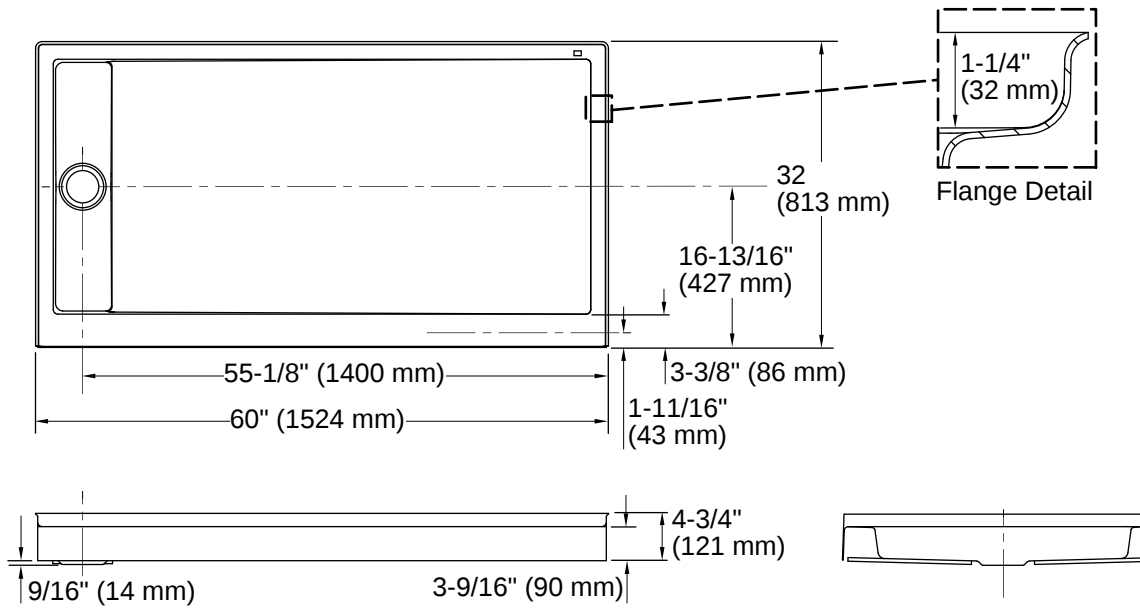
## Warranty

*See website for detailed warranty information.*

KOHLER® Plastic Baths and Receptors Lifetime Limited Warranty



1-800-4KOHLER (1-800-456-4537)  
Kohler Co. reserves the right to make revisions without notice to product specifications.  
For the most current specification sheet, go to [www.kohler.com](http://www.kohler.com) USA or [www.kohler.ca](http://www.kohler.ca) Canada.  
5-12-2026 22:26 - US-CA



## Installation Notes

*Install this product according to the installation instructions.*

Measure your actual product for rough-in details.

Measure your actual product for roughing-in details.

Shimming may be required to level the fixture.

Shimming may be required between the stud frame and the fixture.

The stud opening tolerance is +1/4" (6 mm), -0" (0 mm).

