

► **Code Number**
3522600

► **Description**
Concealed Hydraulically Operated High Efficiency Water Closet Flushometer, for wall hung concealed back spud bowls.

► **Flush Cycle**
1.6 gpf/6.0Lpf

► **Specifications**
Quiet, Concealed, Rough Brass Closet Flushometer for either left or right hand supply with the following features:

- ADA Compliant Non-Hold-Open Actuator
- Valve designed to accept Low and Ultra-Low Consumption Pistons only to ensure Water Conservation
- Chrome Plated Exposed Flushometer Parts
- Double Slip Elbow Flush Connection
- Main Seat, Handle Packing, Stop Seat and Vacuum Breaker to be molded from PERMEX® Rubber Compound for Chloramine Resistance.
- Flush accuracy controlled by CID® technology
- Fixed Volume Piston with Filtered O-ring Bypass
- 1" I.P.S. Wheel Handle Bak-Chek® Angle Stop

Valve Body, Cover, Tailpiece and Control Stop shall be in conformance with ASTM Alloy Classification for Semi-Red Brass. Valve shall be in compliance with the applicable sections of ASSE 1037 and ANSI/ASME 112.19.2.

► **Actuator Types: (not included-order separately-please check one)**

- MP - Metal Partition Actuator (HY-49-A)
- SW - Side Wall Mounted Actuator (HY-72-A)
- MBFW - Metal Button Fixture Wall Actuator (HY-100-A) (rear access required)
- MBPM - Metal Button Panel Mount (HY-108-A)
- See Actuator Specification pages for details on Actuators.
- Fixture Wall Actuator (HY-33-A) (rear access required)

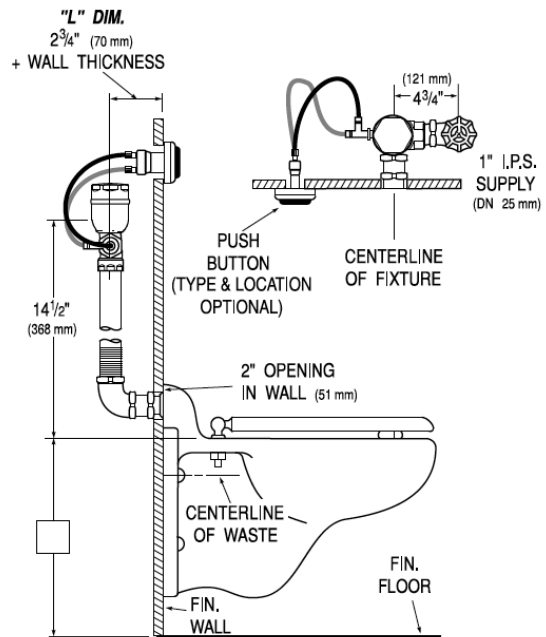
► **Accessories (Sold Separately)**

See Accessories Section of the Sloan catalog for available accessories

► **Compliance & Certifications**



Made In The
USA



This space for Architect/Engineer Approval