

# ENCLOSURE POLE MOUNT KIT

## Installation Instructions

**AMPOLEMNT6**  
**AMPOLEMNT8**  
**AMPOLEMNT10**  
**AMPOLEMNT12**  
**AMPOLEMNT14**  
**AMPOLEMNT16**  
**AMPOLEMNT20**  
**AMPOLEMNT24**



Part Number	AM Series Units	AMU Series Units
AMPOLEMNT6	AM664, AM864	AMU664, AMU864
AMPOLEMNT8	AM864, AM1084, AM1086	AMU1084
AMPOLEMNT10	AM1084, AM1086, AM1206	AMU1206
AMPOLEMNT12	AM1206, AM1426	AMU1426
AMPOLEMNT14	AM1426, AM1648	AMU1648
AMPOLEMNT16	AM1648, AM1868, AM2068	AMU1860, AMU2060
AMPOLEMNT20	AM2420	None
AMPOLEMNT24	AM2420, AM2424, AM3024	None



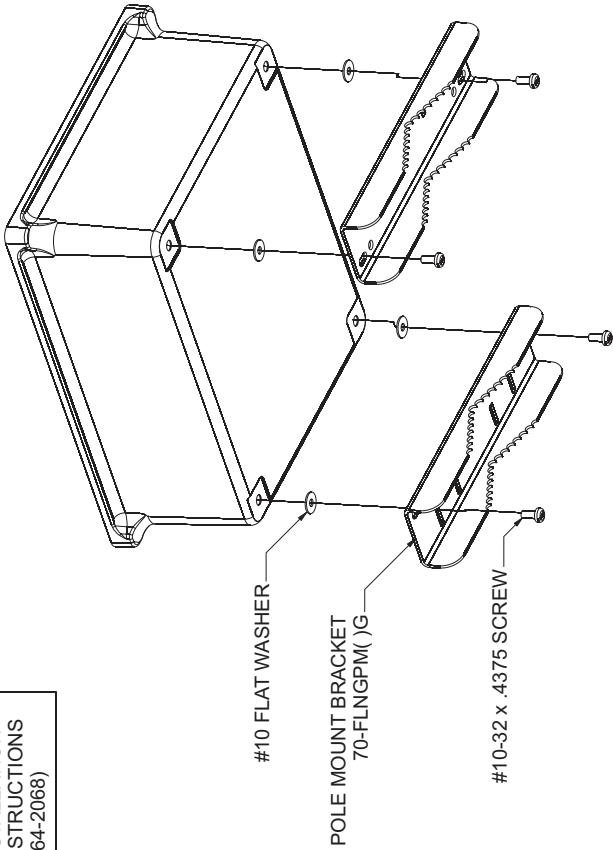
**ALLIED  
MOULDED  
PRODUCTS, Inc.**

222 N. Union St.  
Bryan, OH 43506

PH: 419-636-4217 • FAX: 800-237-7269

[www.alliedmoulded.com](http://www.alliedmoulded.com)

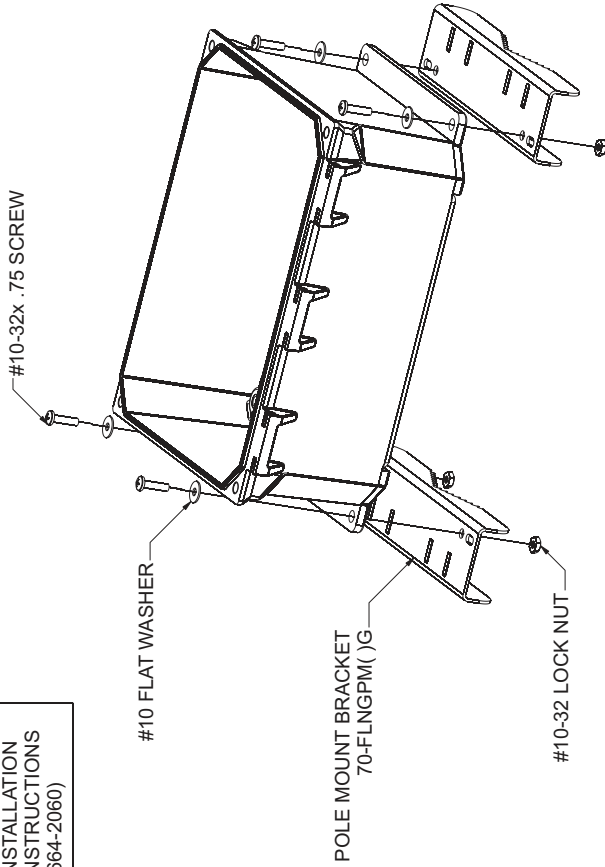
AM SERIES  
INSTALLATION  
INSTRUCTIONS  
(664-2068)



#10 FLAT WASHER  
POLE MOUNT BRACKET  
70-FLNGPM ( ) G  
#10-32 x .4375 SCREW

- 1.) ATTACH POLE MOUNT BRACKET TO ENCLOSURE WITH PROVIDED HARDWARE.
- 2.) THEN ATTACH ENCLOSURE TO POLE WITH METAL CLAMPS.

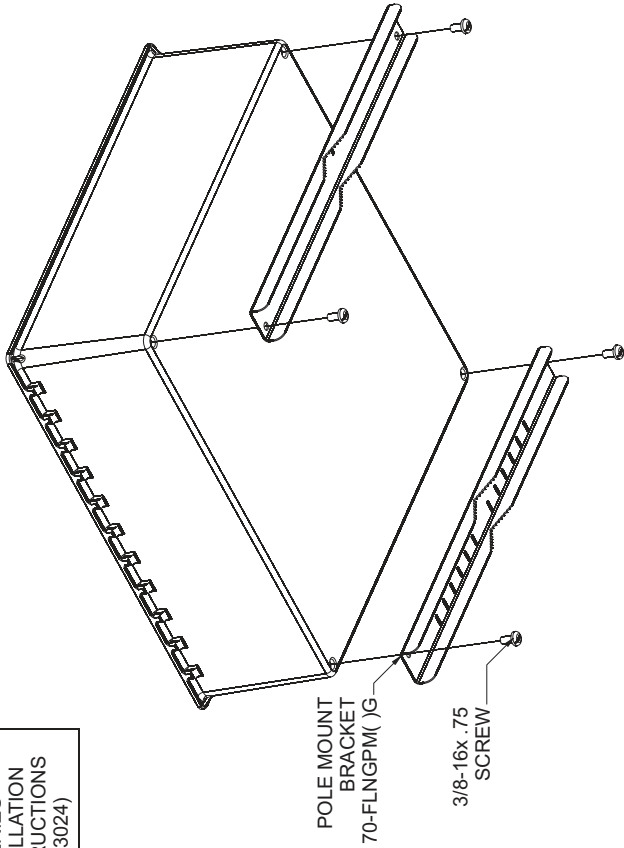
AMU SERIES  
INSTALLATION  
INSTRUCTIONS  
(664-2060)



#10-32x .75 SCREW  
#10 FLAT WASHER  
POLE MOUNT BRACKET  
70-FLNGPM ( ) G  
#10-32 LOCK NUT

- 1.) ATTACH POLE MOUNT BRACKET TO ENCLOSURE WITH PROVIDED HARDWARE.
- 2.) THEN ATTACH ENCLOSURE TO POLE WITH METAL CLAMPS.

AM SERIES  
INSTALLATION  
INSTRUCTIONS  
(2420-3024)



POLE MOUNT  
BRACKET  
70-FLNGPM ( ) G  
3/8-16x .75  
SCREW

- 1.) ATTACH POLE MOUNT BRACKET TO ENCLOSURE WITH PROVIDED HARDWARE.
- 2.) THEN ATTACH ENCLOSURE TO POLE WITH METAL CLAMPS.

COMPONENTS BY POLE MOUNT KIT

AMPOLEMNT6 #10-32x.4375 SCREW(4) [AM USE ONLY] 70-FLNGPM6G (2) #10 FLAT WASHER (4) #10-32x .75 SCREW(4) [AMU USE ONLY] #10-32 LOCK NUT (4)[AMU USE ONLY] Z490-111-482(1)	AMPOLEMNT14 #10-32x.4375 SCREW (4) 70-FLNGPM14G (2) #10 FLAT WASHER (4) #10-32x .75 SCREW(4) [AMU USE ONLY] #10-32 LOCK NUT (4)[AMU USE ONLY] Z490-111-482(1)	AMPOLEMNT16 #10-32x.4375 SCREW (4) 70-FLNGPM16G (2) #10 FLAT WASHER (4) #10-32x .75 SCREW(4) [AMU USE ONLY] #10-32 LOCK NUT (4)[AMU USE ONLY] Z490-111-482(1)	AMPOLEMNT20 3/8-16x.75 SCREW (4) 70-FLNGPM20G (2) Z490-111-482(1)	AMPOLEMNT24 3/8-16x.75 SCREW (4) 70-FLNGPM24G (2) Z490-111-482(1)
AMPOLEMNT8 #10-32x.4375 SCREW (4) 70-FLNGPM8G (2) #10 FLAT WASHER (4) #10-32x .75 SCREW(4) [AMU USE ONLY] #10-32 LOCK NUT (4)[AMU USE ONLY] Z490-111-482(1)	AMPOLEMNT10 #10-32x.4375 SCREW (4) 70-FLNGPM10G (2) #10 FLAT WASHER (4) #10-32x .75 SCREW(4) [AMU USE ONLY] #10-32 LOCK NUT (4)[AMU USE ONLY] Z490-111-482(1)	AMPOLEMNT12 #10-32x.4375 SCREW (4) 70-FLNGPM12G (2) #10 FLAT WASHER (4) #10-32x .75 SCREW(4) [AMU USE ONLY] #10-32 LOCK NUT (4)[AMU USE ONLY] Z490-111-482(1)		