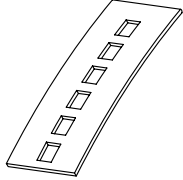

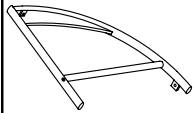

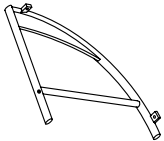



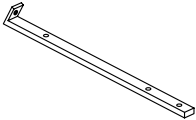

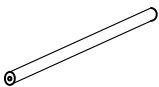

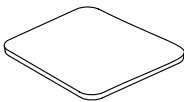



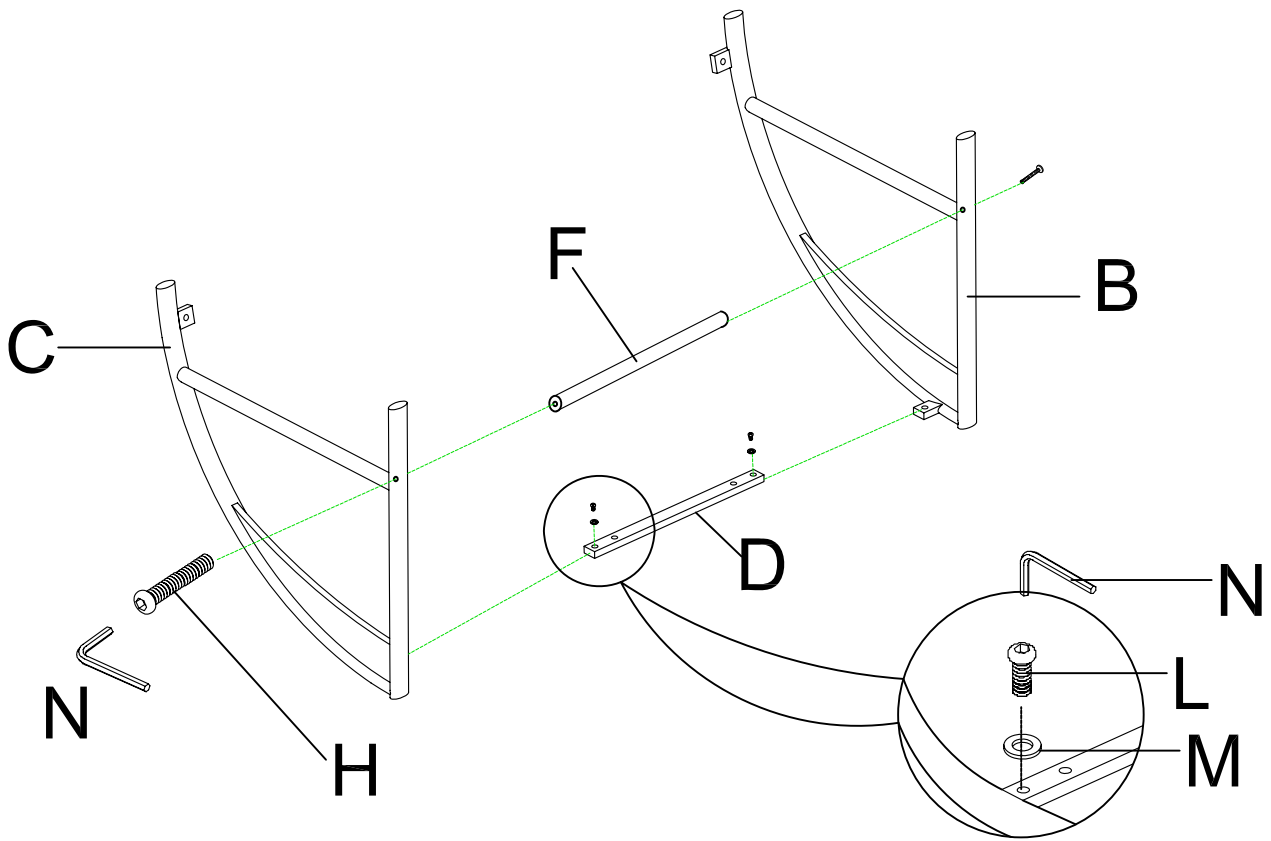
ASSEMBLY INSTRUCTION

ITEM #: 5532-24

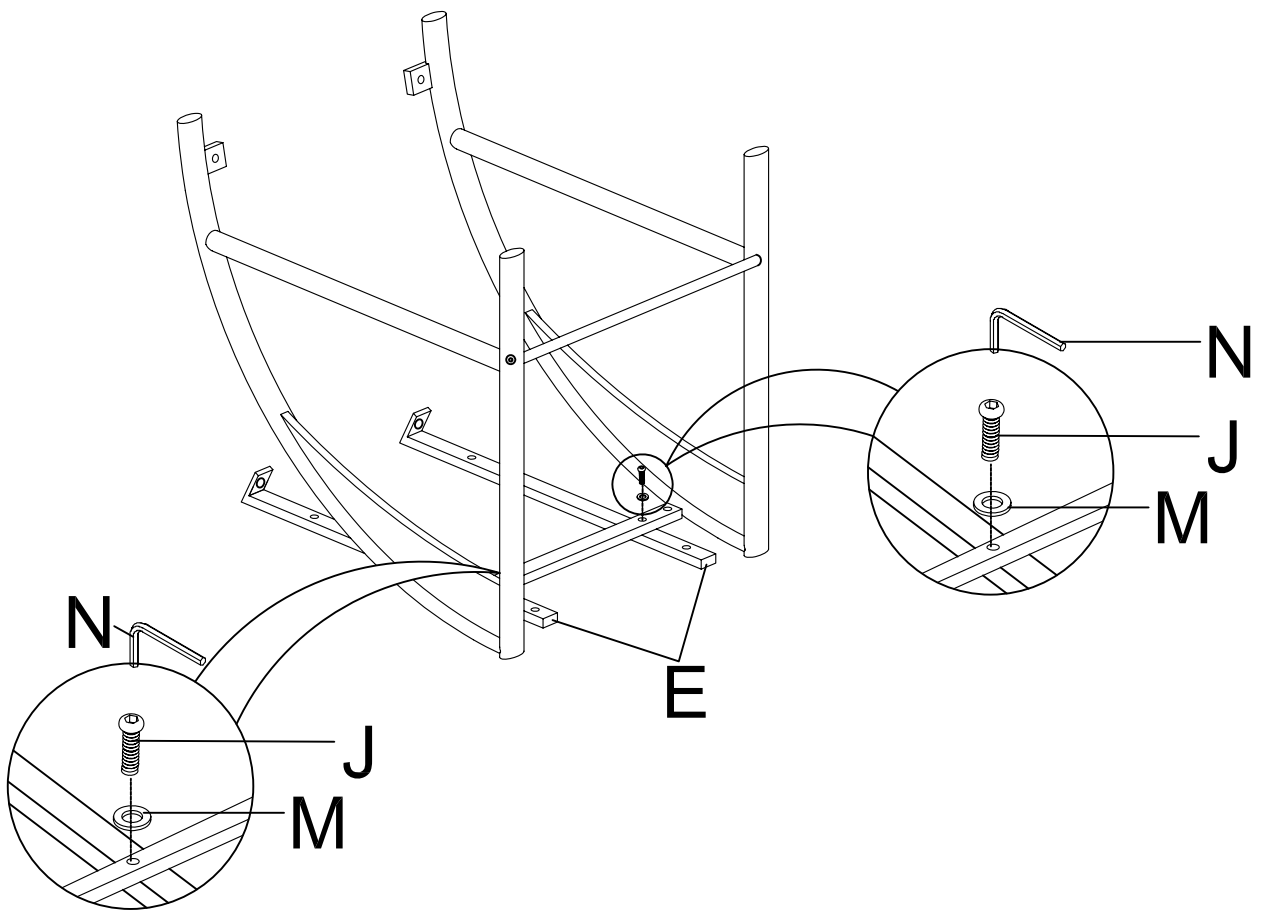
DESCRIPTION: COUNTER HEIGHT CHAIR

NO.	PART LIST		QTY	NO.	HARDWARE LIST		QTY
					HARDWARE PACK IN 5532-24		
A		CHAIR BACK	1	H		BOLT M6x55mm	2
B		RSF LEG	1	I		BOLT M6x45mm	4
C		LSF LEG	1	J		BOLT M6x35mm	2
D		UPPER CROSS BAR	1	K		BOLT M6x13mm	4
E		SEAT RAIL	2	L		BOLT M6x10mm	2
F		LOWER CROSS BAR	1	M		FLAT WASHER ø6xø16mm	12
G		SEAT CUSHION	1	N		ALLEN KEY	1

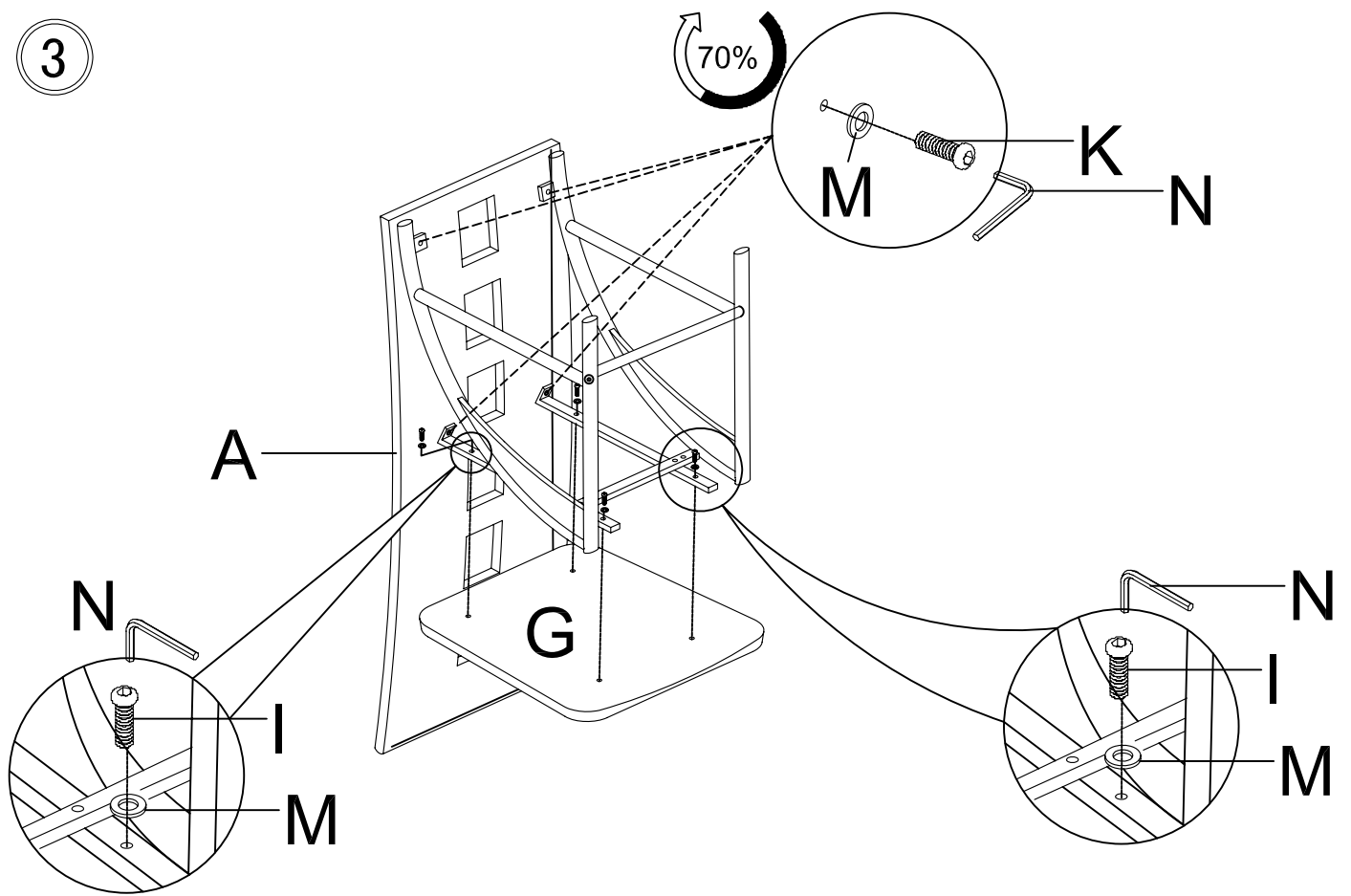
1



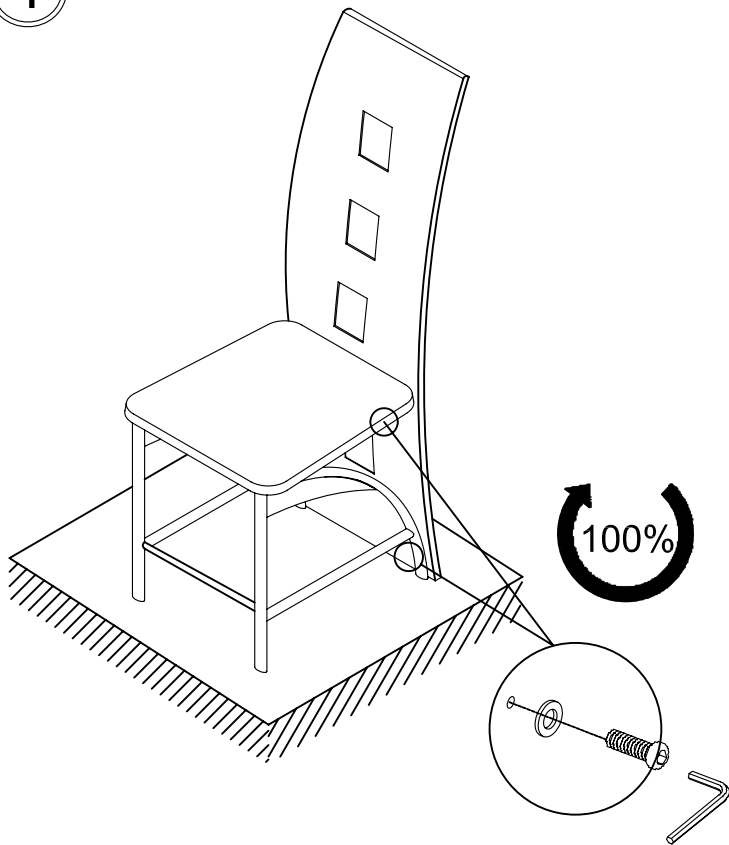
2



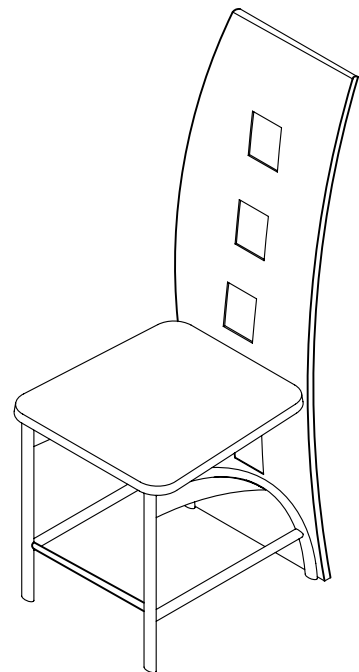
3



4



5



For items use on wooden floor, hard surfaces or carpets, it is recommended to install protective pads under all legs and supports to avoid/prevent from damages/scratches and discoloration.

Do not tighten bolts until completely assembled.