

F24035EX

MEADOWVALE II PLAY SYSTEM

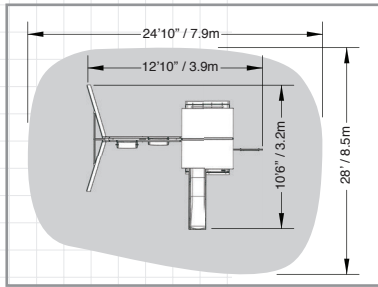


OBSTACLE FREE SAFETY ZONE - 24'10" x 28' (7.9 x 8.5 m) area requires Protective Surfacing. See page 4.

MAXIMUM VERTICAL FALL HEIGHT - 6'11" (2.1 m) .

CAPACITY - 6 Users Maximum, Ages 3 to 10; Weight Limit 110 lbs. (50 kg) per child.

RESIDENTIAL HOME USE ONLY. Not intended for public areas such as multi-unit residences, schools, churches, nurseries, day cares or parks.



INSTALLATION AND OPERATING INSTRUCTIONS

FOR 24/7 ONLINE PARTS REPLACEMENT

parts.kidkraft.com

KidKraft, Inc.
4630 Olin Road
Dallas, Texas 75244
USA

customerservice@kidkraft.com

1.800.933.0771
972.385.0100

parts.kidkraft.eu

KidKraft Netherlands BV
Olympisch Stadion 8
1076 DE Amsterdam
The Netherlands

europcustomerservice@kidkraft.com

+31 20 305 8620
M-F from 09:00 to 17:30 (GMT+1)

9404035EX Rev 09/30/2022



⚠ WARNING

To reduce the risk of serious injury or death, please read and follow these instructions. Keep and refer to instructions as needed and pass along to any future owners of this item.

Congratulations on purchasing a KidKraft product!

**Our items are made of high-quality,
durable Cunninghamia Lanceolata wood
from the cypress family.**

**Lumber from these trees are known for
their light weight and excellent strength.
The porosity of this wood allows the
moisture to absorb and evaporate in the
fibers, resisting rot and bugs.**

**Engineered for great play, our products
also go through extensive testing for safety.**

**Plus, our team has developed a series of
proprietary methods for a simpler, more
organized assembly. Less build time and
more play time is our motto!**

**However, during assembly if you have any
questions or concerns, please reach out.
Our Customer Service can help with missing
parts, instructions or maintenance.**



Warnings and Safe Play Instructions



CONTINUOUS ADULT SUPERVISION REQUIRED. Most serious injuries and deaths on playground equipment have occurred while children were unsupervised! Our products are designed to meet mandatory and voluntary safety standards. Complying with all warnings and recommendations in these instructions will reduce the risk of serious or fatal injury to children using this play system. Go over the warnings and safe play instructions regularly with your children and make certain that they understand and follow them. Remember on-site adult supervision is required for children of all ages.



WARNING

SERIOUS HEAD INJURY HAZARD

Installation over concrete, asphalt, dirt, grass, carpet and other hard surface creates a risk of serious injury or death from falls to the ground. Install and maintain shock absorbing material under and around play-set as recommended on page 4 of these instructions.

COLLISION HAZARD

Place play-set on level ground at least 2m from any obstruction such as a garage or house, fences, poles, trees, sidewalks, walls, landscape timbers, rocks, pavement, planters, garden borders, overhanging branches, laundry lines, and electrical wires. (See OBSTACLE FREE SAFETY ZONE on cover).

CHOKING HAZARD/SHARP EDGES & POINTS

Adult assembly required. This product contains small parts and parts with sharp edges and points. Keep parts away from children until fully assembled.

WARNING:

Lawn swings are designed for use by children two years of age and older. The use by children under the age of two can result in entrapment between the seat and back rest because the child's body may pass through the opening, causing entrapment of the child's head. Such entrapment may result in strangulation. NEVER place children in a rearward facing position or with legs between the seat and backrest.

STRANGULATION HAZARD

- NEVER allow children to play with ropes, clotheslines, pet leashes, cables, chains or cord-like items when using this play-set or to attach these items to play-set.
- NEVER allow children to wear loose fitting clothing, ponchos, hoods, scarves, capes, necklaces, items with draw-strings, cords or ties when using this play-set.
- NEVER allow children to wear bike or sport helmets when using this play-set.

Failure to prohibit these items, even helmets with chin straps, increases the risk of serious injury and death to children from entanglement and strangulation.

TIP OVER HAZARD

Choose a level location for the equipment. This can reduce the likelihood of the play set tipping over and loose-fill surfacing materials washing away during heavy rains.

DO NOT allow children to play on the playhouse until the assembly is complete and the unit is properly anchored.

Never add extra length to chain or rope. The chains or ropes provided are the maximum length designed for the swinging element(s).

WARNING LABEL

Owners shall be responsible for maintaining the legibility of the warning labels.



WARNING – Safe Play Instructions

- ✓ Observe capacity limitations of your play-set. See front cover.
- ✓ Dress children with well fitting and full foot enclosing footwear.
- ✓ Teach children to sit with their full weight in the center of the swing seat to prevent erratic swing motion or falling off.
- ✓ Check for splintered, broken or cracked wood; missing, loose, or sharp edged hardware. Replace, tighten and or sand smooth as required prior to playing.
- ✓ Verify that suspended climbing ropes, rope ladders, chain or cable are secured at both ends and cannot be looped back on itself as to create an entanglement hazard.
- ✓ On sunny and or hot days, check the slide and other plastic rides to assure that they are not very hot as to cause burns. Cool hot slide and rides with water and wipe dry prior to using.
- ✓ Orientate slide such that it gets the least amount of exposure to the sun.
- ✗ Do not allow children to wear open toe or heel footwear like sandals, flip-flops or clogs.
- ✗ Do not allow children to walk, in front, between, behind or close to moving rides.
- ✗ Do not let children twist swing chains or ropes or loop them over the top support bar. This may reduce the strength of the chain or rope and cause premature failure.
- ✗ Do not let children get off rides while they are in motion.
- ✗ Do not permit climbing on equipment when it is wet.
- ✗ Do not permit rough play or use of equipment in a manner for which it was not intended. Standing on or jumping from the roof, elevated platforms, swings, climbers, ladders or slide can be dangerous.
- ✗ Do not allow children to swing empty rides or seats.
- ✗ Do not allow children to go down slide head first or run up slide.

⚠️ Protective Surfacing - Reducing Risk of Serious Head Injury From Falls

One of the most important things you can do to reduce the likelihood of serious head injuries is to install shock-absorbing protective surfacing under and around your play equipment. The protective surfacing should be applied to a depth that is suitable for the equipment height in accordance with ASTM F1292. There are different types of surfacing to choose from; whichever product you select, follow these guidelines:

Loose-Fill Materials

- Maintain a minimum depth of 9 inches (23 cm) of loose-fill materials such as wood mulch/chips, engineered wood fiber (EWF), or shredded/recycled rubber mulch for equipment up to 8 feet (2,45 m) high; and 9 inches (23 cm) of sand or pea gravel for equipment up to 5 feet (1,5 m) high. NOTE: An initial fill level of 12 inches (31 cm) will compress to about a 9-inch (23 cm) depth of surfacing over time. The surfacing will also compact, displace, and settle, and should be periodically raked and refilled to maintain at least a 9-inch (23 cm) depth.
- Use a minimum of 6 inches (16 cm) of protective surfacing for play equipment less than 4 feet (1,22 m) in height. If maintained properly, this should be adequate. (At depths less than 6 inches (16 cm), the protective material is too easily displaced or compacted.)

NOTE: Do not install home playground equipment over concrete, asphalt, or any other hard surface. A fall onto a hard surface can result in serious injury to the equipment user. Grass and dirt are not considered protective surfacing because wear and environmental factors can reduce their shock absorbing effectiveness. Carpeting and thin mats are not adequate protective surfacing. Ground level equipment -- such as a sandbox, activity wall, playhouse or other equipment that has no elevated play surface -- does not need any protective surfacing.

- Use containment, such as digging out around the perimeter and/or lining the perimeter with landscape edging. Don't forget to account for water drainage.
- Periodically rake, check and maintain the depth of the loose-fill surfacing material. Marking the correct depth on the play equipment support posts will help you to see when the material has settled and needs to be raked and or replenished. Be sure to rake and evenly redistribute the surfacing in heavily used areas.
- Do not install loose fill surfacing over hard surfaces such as concrete or asphalt.

Poured-In-Place Surfaces or Pre-Manufactured Rubber Tiles

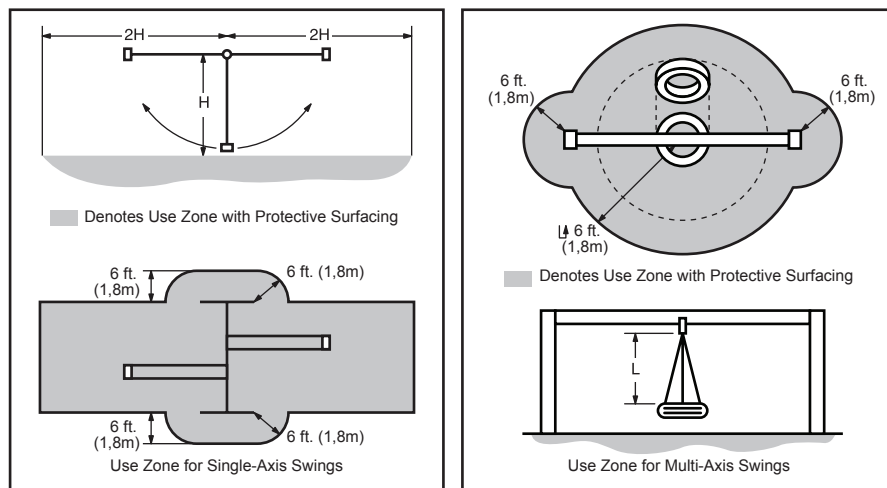
You may be interested in using surfacing other than loose-fill materials - like rubber tiles or poured-in-place surfaces.

- Installations of these surfaces generally require a professional and are not “do-it yourself” projects.
- Review surface specifications before purchasing this type of surfacing. Ask the installer/manufacturer for a report showing that the product has been tested to the following safety standard: ASTM F1292 *Standard Specification for Impact Attenuation of Surfacing Materials within the Use Zone of Playground Equipment*. This report should show the specific height for which the surface is intended to protect against serious head injury. This height should be equal to or greater than the fall height - vertical distance between a designated play surface (*elevated surface for standing, sitting, or climbing*) and the protective surfacing below - of your play equipment.
- Check the protective surfacing frequently for wear.

Placement

Proper placement and maintenance of protective surfacing is essential. Refer to diagram on front cover. Be sure to;

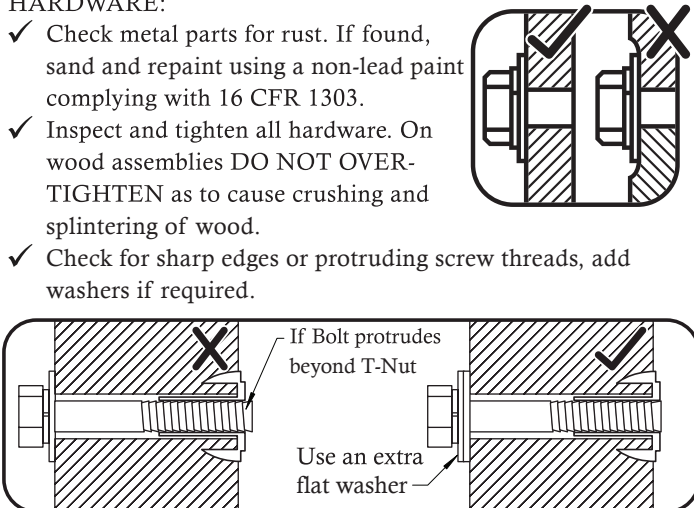
- Extend surfacing at least 6 feet (1,8 m) from the equipment in all directions.
- For to-fro swings, extend protective surfacing in front of and behind the swing to a distance equal to twice the height of the top bar from which the swing is suspended.
- For tire swings, extend surfacing in a circle whose radius is equal to the height of the suspending chain or rope, plus 6 feet (1,8 m) in all directions.



Instructions for Proper Maintenance

Your KidKraft Play System is designed and constructed of quality materials with your child's safety in mind. As with all outdoor products used by children, it will weather and wear. To maximize the enjoyment, safety and life of your Play Set, it is important that you, the owner, properly maintain it.

Check the following at the beginning of the play season:

| | |
|--|---|
| <p>HARDWARE:</p> <ul style="list-style-type: none"> ✓ Check metal parts for rust. If found, sand and repaint using a non-lead paint complying with 16 CFR 1303. ✓ Inspect and tighten all hardware. On wood assemblies DO NOT OVER-TIGHTEN as to cause crushing and splintering of wood. ✓ Check for sharp edges or protruding screw threads, add washers if required.  <p>SHOCK ABSORBING SURFACING:</p> <ul style="list-style-type: none"> ✓ Check for foreign objects. Rake and check depth of loose fill protective surfacing materials to prevent compaction and maintain appropriate depth. Replace as necessary. (See Protective Surfacing, page 4) | <p>GROUND STAKES (ANCHORS):</p> <ul style="list-style-type: none"> ✓ Check for looseness, damage or deterioration. Should firmly anchor unit to ground during use. Re-secure and or replace, if necessary. <p>SWING HANGERS:</p> <ul style="list-style-type: none"> ✓ Check that bolts are secure and tight. Quick clips should be completely closed and threaded clips screwed tight. ✓ If squeaking occurs lubricate bushings with oil or WD-40®. <p>SWINGS, ROPES AND RIDES:</p> <ul style="list-style-type: none"> ✓ Reinstall if removed during cold season. Check all moving parts including swing seats, ropes, chains and attachments for wear, rust and other deterioration. Replace as needed. ✓ Check that ropes are tight, secure at both ends and cannot loop back as to create an entrapment. <p>WOOD PARTS:</p> <ul style="list-style-type: none"> ✓ Check all wood members for deterioration, structural damage and splintering. Sand down splinters and replace deteriorated wood members. As with all wood, some checking and small cracks in grain is normal. ✓ Applying a water repellent or stain (water-based) on a yearly basis is important maintenance to maintain maximum life and performance of the product. |
|--|---|

Check twice a month during play season:

| | |
|---|---|
| <p>HARDWARE:</p> <ul style="list-style-type: none"> ✓ Inspect for tightness. Must be firmly against, but not crushing the wood. DO NOT OVER-TIGHTEN. This will cause splintering of wood. ✓ Check for sharp edges or protruding screw threads. Add washers if required. | <p>SHOCK ABSORBING SURFACING:</p> <ul style="list-style-type: none"> ✓ Rake and check depth of loose fill protective surfacing materials to prevent compaction and maintain appropriate depth. Replace as necessary. (See Protective Surfacing, page 4) |
|---|---|

Check once a month during play season:

| | |
|--|---|
| <p>SWING HANGERS:</p> <ul style="list-style-type: none"> ✓ Check that they are secure and orientated correctly. Hook should rotate freely and perpendicular to support beam. ✓ If squeaking occurs lubricate bushings with oil or WD-40®. | <p>SWINGS AND RIDES:</p> <ul style="list-style-type: none"> ✓ Check swing seats, all ropes, chains and attachments for fraying, wear, excessive corrosion or damage. Replace if structurally damaged or deteriorated. |
|--|---|

Check at the end of the play season:

| | |
|--|---|
| <p>SWINGS AND RIDES:</p> <ul style="list-style-type: none"> ✓ To prolong their life, remove swings and store inside when outside temperature is below 32°F/0°C. Below freezing, plastic parts may become more brittle. | <p>SHOCK ABSORBING SURFACING:</p> <ul style="list-style-type: none"> ✓ Rake and check depth of loose fill protective surfacing materials to prevent compaction and maintain appropriate depth. Replace as necessary. (See Protective Surfacing, page 4) |
|--|---|

If you dispose of your play set: Please disassemble and dispose of your unit so that it does not create any unreasonable hazards at the time it is discarded. Be sure to follow your local waste ordinances.

About Our Wood

KidKraft Premium Play Systems uses only premium playset lumber, ensuring the safest product for your children's use. Although we take great care in selecting the best quality lumber available, wood is still a product of nature and susceptible to weathering which can change the appearance of your set.

What causes weathering? Does it affect the strength of my Play System?

One of the main reasons for weathering is the effects of water (moisture); the moisture content of the wood at the surface is different than the interior of the wood. As the climate changes, moisture moves in or out of the wood, causing tension which can result in checking and or warping. You can expect the following due to weathering. These changes will not affect the strength of the product:

1. **Checking** is surface cracks in the wood along the grain. A post (4" x 4") will experience more checking than a board (1" x 4") because the surface and interior moisture content will vary more widely than in thinner wood.
2. **Warping** results from any distortion (twisting, cupping) from the original plane of the board and often happens from rapid wetting and drying of the wood.
3. **Fading** happens as a natural change in the wood color as it is exposed to sun-light and will turn a grey over time.

How can I reduce the amount of weathering to my Play System?

At the factory we have coated the wood with a water repellent or stain. This coating decreases the amount of water absorption during rain or snow thus decreasing the tension in the wood. Sunlight will break down the coating, so we recommend applying a water repellent or stain on a yearly basis (see your local stain and paint supplier for a recommended product).

Most weathering is just the normal result of nature and will not affect safe play and enjoyment for your child. However if you are concerned that a part has experienced a severe weathering problem please call our consumer relations department for further assistance.

Complete and mail registration card to receive important product notifications and assure prompt warranty service.

KidKraft Limited Warranty

MISSING OR DAMAGED PARTS:

KidKraft will replace any parts within 90 days from date of purchase found to be missing from or damaged in the original packaging. See Fig.1

| | | |
|--------|---|--|
| Fig. 1 | <u>Product Age (All Parts)</u> 0-90 Days from date of purchase | <u>Consumer Pays</u> \$0 for Part + Free Shipping |
|--------|---|--|

DEFECTS IN MATERIAL AND WORKMANSHIP:

KidKraft warrants that this product is free from defects in materials and workmanship for a period of one (1) year from the original date of purchase (dated sales receipt and/or product registration is required). This one (1) year warranty covers all parts including wood, hardware, and all accessories (Such as swings, rides, and slides). See Fig. 2

| | | |
|--------|---|--|
| Fig. 2 | <u>Product Age (All Parts)</u> 91 Days to 1 Year | <u>Consumer Pays</u> \$0 for Part + Free Shipping |
|--------|---|--|

WOOD ROT, DECAY, AND INSECT DAMAGE:

All wood carries a five (5) year warranty against rot, decay, and insect damage (dated sales receipt and/or product registration is required). Refer to the schedule below for charges associated with replacement of wood parts under this **Limited Warranty**. See Fig. 3

| | | |
|--------|---|--|
| Fig. 3 | <u>Product Age (Wood Parts)</u> 0 Days to 1 Year After 1 Year to 5 Year Over 5 Years | <u>Consumer Pays</u> \$0 for Part + Free Shipping \$0 for Part + Shipping & Handling 100% for Part (if available) + Shipping & Handling |
|--------|---|--|

This warranty applies to the original owner and registrant and is non-transferable. Regular maintenance is required to ensure the integrity of this product. Failure by the owner to maintain the product according to the maintenance requirements may void this warranty.

This Limited Warranty does NOT cover:

- Any inspection cost
- Labor and/or costs for replacement of any defective item(s), including but not limited to, professional installer costs
- Incidental or consequential damages, including but not limited to, as a result of set relocation, move and/or reinstall
- Cosmetic defects which do not affect performance or integrity of a part or the entire product
- Vandalism, improper use or installation, or acts of nature, including but not limited to, high winds, fire, and flood
- Minor twisting, warping, checking, or any natural occurring properties of wood that do not affect performance or integrity.
- Any KidKraft product purchased, including but not limited to, a non-approved retailer, auction houses, second-hand, and as-is clearance items.

KidKraft products have been designed for safety and quality. Modifications made to the original product may damage the structural integrity of the unit leading to failure and possible injury. KidKraft cannot assume any responsibility for the modified products. Furthermore, modifications void all warranties.

This product is warranted for **RESIDENTIAL USE ONLY**. Under no circumstance should a KidKraft product be used in public settings such as schools, churches, playgrounds, parks, home and professional day cares and the like. Such use may lead to product failure and potential injury. Public use will void this warranty. KidKraft disclaims all other representations and warranties of any kind, express or implied.

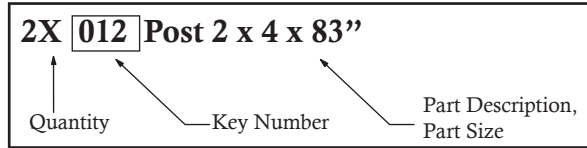
Keys to Assembly Success

Tools Required

| | | | |
|---|--|--|--|
| <ul style="list-style-type: none"> • Tape Measure • Carpenters Level • Carpenters Square • Claw Hammer • Standard or Cordless Drill • Rubber Mallet | <ul style="list-style-type: none"> • #1 Phillips, #2 Robertson and Screwdriver • Ratchet with extension (1/2" & 7/16" sockets) | <ul style="list-style-type: none"> • Open End Wrench (1/2" & 7/16") • Adjustable Wrench • 1/8" & 3/16" Drill Bits | <ul style="list-style-type: none"> • 3/16" Hex Key • 8' Step Ladder • Safety Glasses • Adult Helpers • Pencil |
|---|--|--|--|








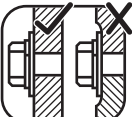
Part Identification Key

On each page, you will find the parts and quantities required to complete the assembly step illustrated on that page. Here is a sample.



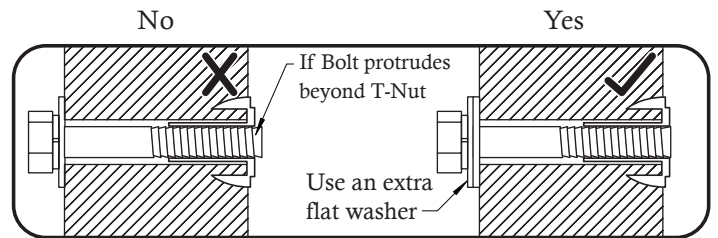
Symbols

Throughout these instructions symbols are provided as important reminders for proper and safe assembly.

| | |
|--|---|
| <p>This identifies information that requires special attention. Improper assembly could lead to an unsafe or dangerous condition.</p>  | <p>Check that set or assembly is properly level before proceeding.</p> <p>Use Level</p>  |
| <p>Use Help</p>  <p>Use Help</p>  <p>Where this is shown, 2 or 3 people are required to safely complete the step. To avoid injury or damage to the assembly make sure to get help!</p> | <p>Pre-drill 1/8" & 3/16" Bit</p>  <p>Pre-drill a pilot hole before fastening screw or lag to prevent splitting of wood.</p> |
| <p>Measure Distance</p>  <p>Check that assembly is square before tightening bolts.</p> <p>Use a measuring tape to assure proper location.</p> <p>Square Assembly</p>  | <p>Tighten Bolts</p>  <p>This indicates time to tighten bolts, but not too tight! Do not crush the wood. This may create splinters and cause structural damage.</p> |

CAUTION – Protrusion Hazard

Once the assembly is tightened, watch for exposed threads. If a thread protrudes from the T-Nut, remove the bolt and add washers to eliminate this condition. Extra washers have been provided for this purpose.

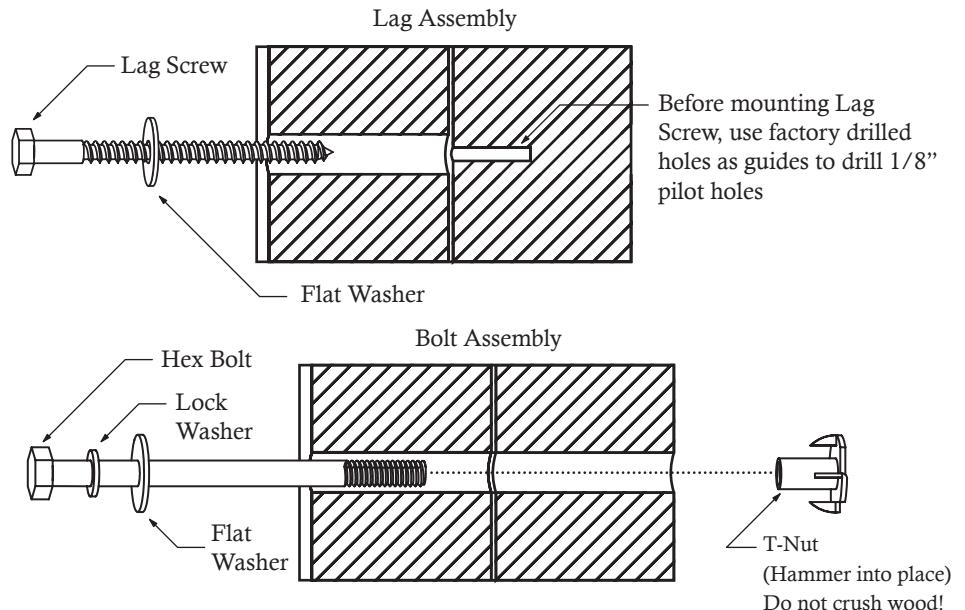


Proper Hardware Assembly

Lag screws require drilling pilot holes to avoid splitting wood. Only a flat washer is required. For ease of installation liquid soap can be used on all lag-type screws.

For bolts, tap T-Nut into hole with hammer. Insert the hex bolt through lock washer first then flat washer then hole. Because the assemblies need to be squared do not completely tighten until instructed. Pay close attention to diameter of the bolts. 5/16" is slightly larger than 1/4".

Note: Wafer head bolts with blue lock tight or a bolt with a Ny-Lok nut do NOT require a lock washer.



Part Identification (Reduced Part Size)

| Nominal Size | Actual Size |
|--------------|-----------------|
| 2" x 6" | 1 1/2" x 5 3/8" |
| 2" x 4" | 1 3/8" x 3 3/8" |
| 2" x 3" | 1 3/8" x 2 1/2" |
| 2" x 2" | 1 1/2" x 1 1/2" |
| 5/4" x 4" | 1" x 3 1/2" |
| 5/4" x 5" | 1" x 4 1/2" |
| 5/4" x 6" | 1" x 5 1/2" |
| 1" x 6" | 5/8" x 5 3/8" |
| 1" x 5" | 5/8" x 4 1/2" |
| 1" x 4" | 5/8" x 3 3/8" |
| 1/2" x 4" | 7/16" x 3 1/4" |

(1) CE SW Beam Back 2 x 6 x 69-1/2"



(1) CE SW Beam Front 2 x 6 x 69-1/2"



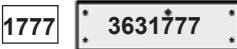
(2) CE Gap Board 1 x 6 x 23-1/2"



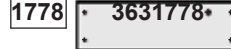
(4) Floor Board 1 x 6 x 23-1/2"



(3) CE Rock Board B 1 x 6 x 17"



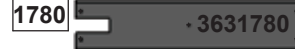
(2) CE Rock Board A 1 x 6 x 17"



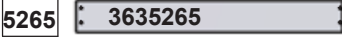
(1) CE Access Board 1 x 6 x 17"



(1) Center Board 1 x 6 x 23-1/2"



(4) Cedar Wall 1 x 4 x 28"



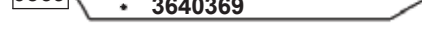
(1) Gusset 2 x 3 x 16"



(2) Rock Rail 2 x 3 x 51"



(2) Lower Diagonal 2 x 3 x 37"



(1) Centre Divider 2 x 3 x 38"



(2) SW Floor 1 x 6 x 26-7/8"



(1) Side Joist 2 x 2 x 34-3/4"



(1) Floor Joist 5/4 x 2 x 38-1/2"



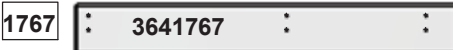
(1) Floor Front 2 x 3 x 38-1/2"



(2) Corner Block 2 x 3 x 4-1/2"



(1) Lower Front 1 x 6 x 39-3/4"



(4) Corner Post 2 x 4 x 83"



(1) SL Spacer 2 x 3 x 17-5/8"



(1) Lower Back 1 x 6 x 38-3/4"



(1) Acro Top 5/4 x 6 x 67-1/2"



(1) Top Rope 5/4 x 4 x 38-3/4"



(2) Lower Side 1 x 5 x 62-3/8"



(1) Ridge 2 x 2 x 46-1/2"



(1) Top Back 1 x 5 x 38-1/2"



(2) Top End 1 x 4 x 46-1/2"



Part Identification (Reduced Part Size)

| Nominal Size | Actual Size |
|--------------|---|
| 2" x 4" | 1 ³ / ₈ " x 3 ³ / ₈ " |
| 2" x 3" | 1 ³ / ₈ " x 2 ¹ / ₂ " |
| 2" x 2" | 1 ¹ / ₂ " x 1 ¹ / ₂ " |
| 5/4" x 4" | 1" x 3 ¹ / ₂ " |
| 5/4" x 5" | 1" x 4 ¹ / ₂ " |
| 1" x 5" | 5/8" x 4 ¹ / ₂ " |
| 1" x 4" | 5/8" x 3 ³ / ₈ " |

(2) Side Top 1 x 4 x 51-1/2"
 1797 3641797

(1) Tarp Support 2 x 2 x 56"
 1798 3641798

(1) Sw Mount 2 x 4 x 56"
 1799 3641799

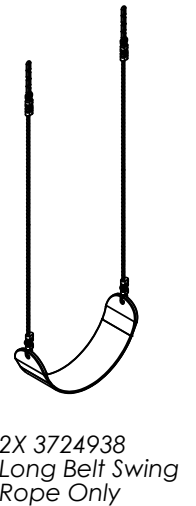
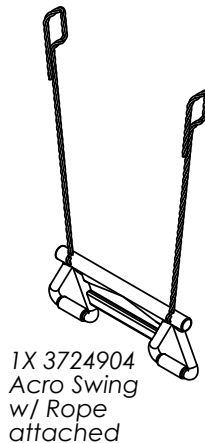
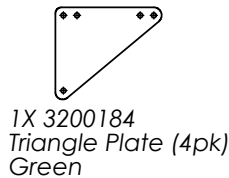
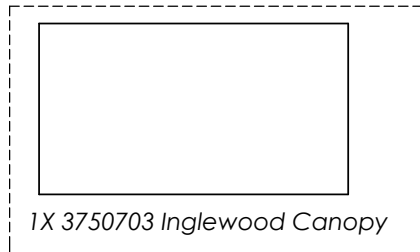
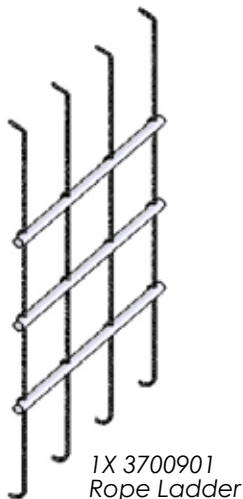
(1) Sw Rail Block 2 x 4 x 5-3/8"
 4919 3644919

(1) Sw Support 5/4 x 4 x 48-1/2"
 4921 3644921

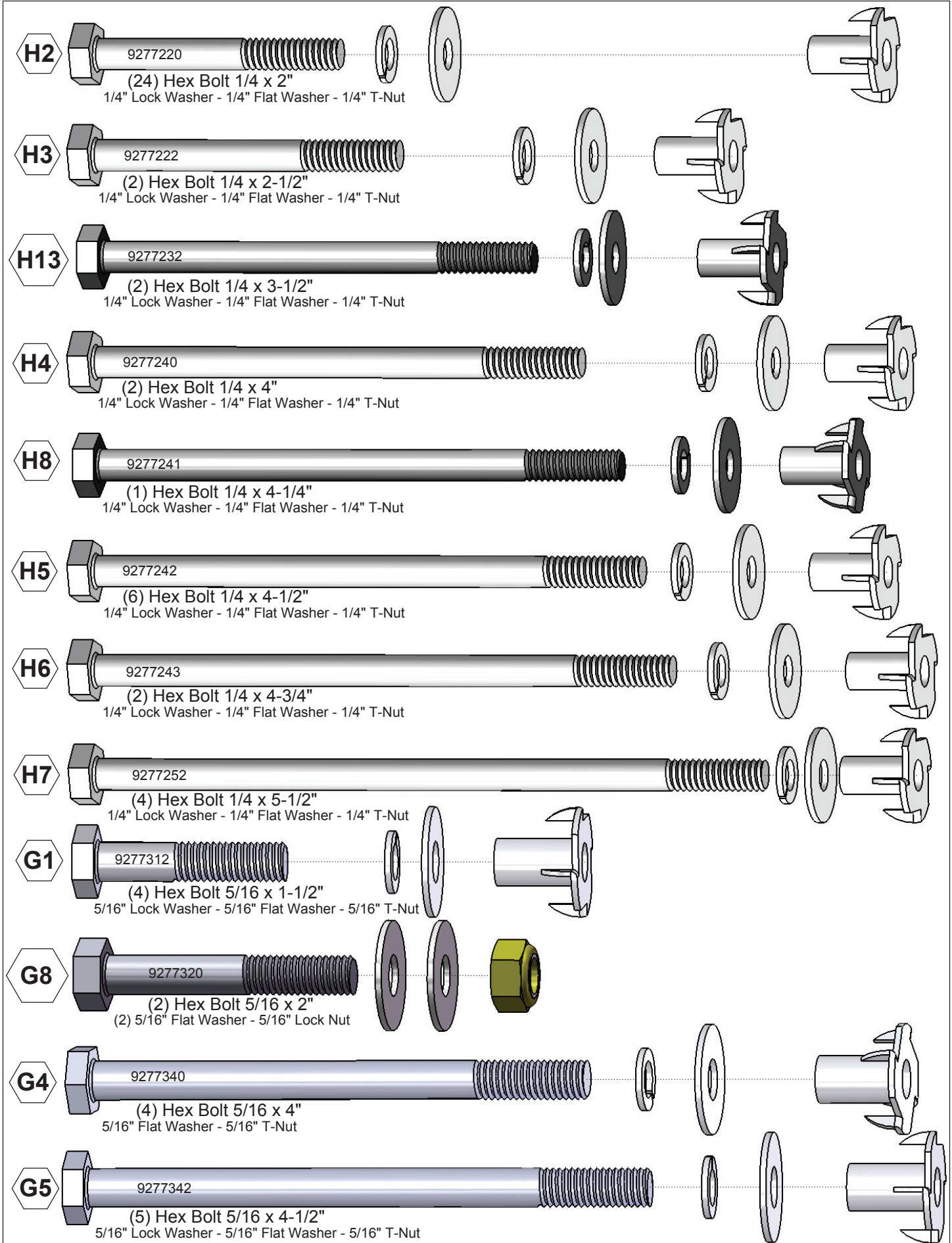
(1) Sw Upright 2 x 4 x 50-1/2"
 4920 3644920

(2) Sw Post 2 x 4 x 92-1/2"
 4922 3644922



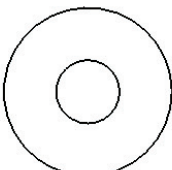
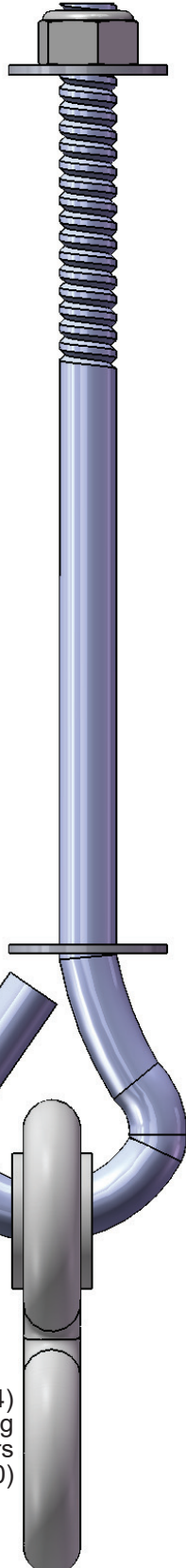

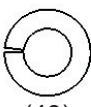
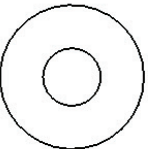

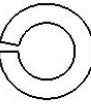
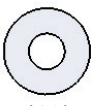


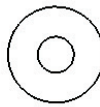



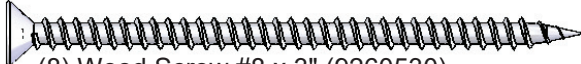
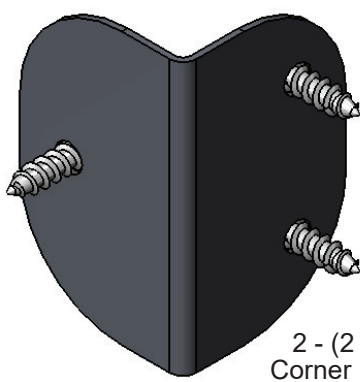
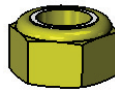
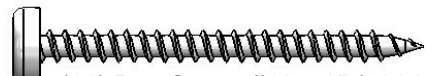
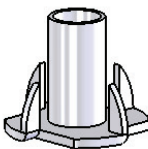
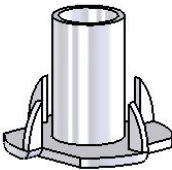
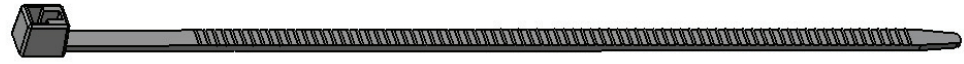
(4) Ground Stake 1-1/4 x 1-1/2 x 14"
 0318 3650318



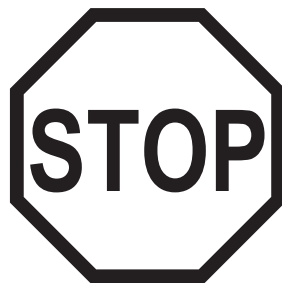
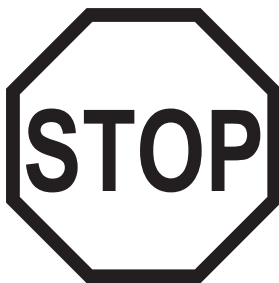
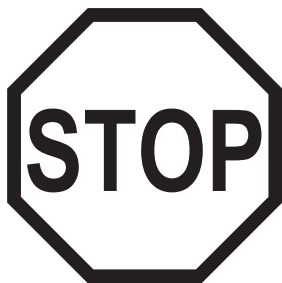
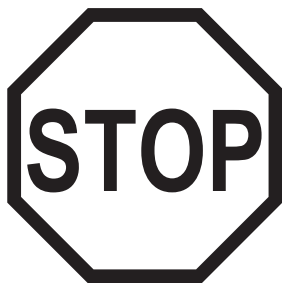
HARDWARE ID (Actual Size)



HARDWARE ID (Actual Size)

| | | | |
|---|--|---|--|
| <p>S5  (16) Pan Screw #8 x 1/2" (9264504)</p> | <p> (4) Swing Hanger Cover (9300000)</p> | <p> (17) 5/16" Flat Washer (9251300)</p> |  |
| <p>S1  (16) Wood Screw #8 x 1-1/8" (9260514)</p> | <p> (43) 1/4" Lock Washer (9253200)</p> | <p> (49) 1/4" Flat Washer (9251200)</p> | |
| <p>S2  (75) Wood Screw #8 x 1-1/2" (9260512)</p> | <p> (13) 5/16" Lock Washer (9253300)</p> | <p> (12) #8 Flat Washer (9251500)</p> | |
| <p>S15  (10) Wood Screw #8 x 1-3/4" (9260513)</p> | <p> (8) 3/16" Flat Washer (9251100)</p> | <p> (8) 3/16" Flat Washer (9251100)</p> | |
| <p>S3  (15) Wood Screw #8 x 2-1/2" (9260522)</p> | <p>LS1  (4) Lag Screw 1/4 x 1-1/2" - 1/4" Flat Washer</p> | <p>LS3  (2) Lag Screw 1/4 x 3" - 1/4" Flat Washer</p> | |
| <p>S4  (8) Wood Screw #8 x 3" (9260530)</p> | <p> 2 - (2 pk) Corner Brace w/screws (9201100)</p> | <p> (2) 5/16" Lock Nut (9283300)</p> | |
| <p>S7  (11) Pan Screw #12 x 2" (9264620)</p> | <p> (43) 1/4" T-Nut (9285200)</p> | <p> (13) 5/16" T-Nut (9285300)</p> | |
| <p> (12) Cable Ties (9300555)</p> | <p>(1 pk of 4) Bolt Thru Swing Hangers (3202000)</p> | | |

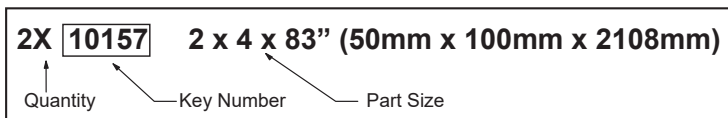
Step 1: Inventory Parts - Read This Before Starting Assembly



Inventory should be completed before starting installation. KidKraft will not cover costs of any additional installation trip due to missing or damaged pieces.

A. This is the time for you to inventory all your hardware, wood and accessories, referencing the parts identification sheets. This will assist you with your assembly.

- The wood pieces will have the key number stamped on the ends of the boards. Organize the wood pieces by step, as per the key numbering system below.



B. Read the assembly manual completely, paying special attention to ANSI warnings; notes; and safety/maintenance information on pages 1 - 8.

**If there are missing or damaged pieces,
please contact the KidKraft Consumer Engagement team
before going back to the retailer.**

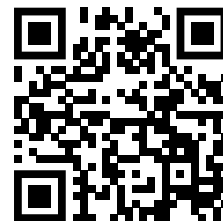
Order Replacement Parts 24/7

You can order replacement parts for this product 24 hours a day / 7 days a week:

Outdoor Swingsets and Playhouse Parts Ordering

<https://parts.kidkraft.com/partsorderemail>

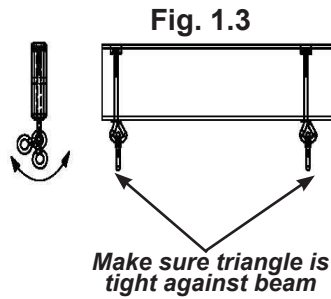
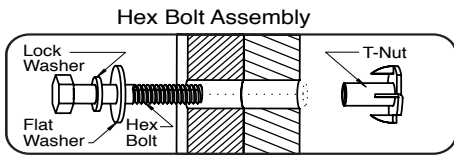
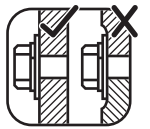
If you have assembly or product questions, please refer to the front cover for direct contact information for our Consumer Engagement team OR you can also use this QR code with your smartphone for common questions and contact information.



KidKraft Help Center

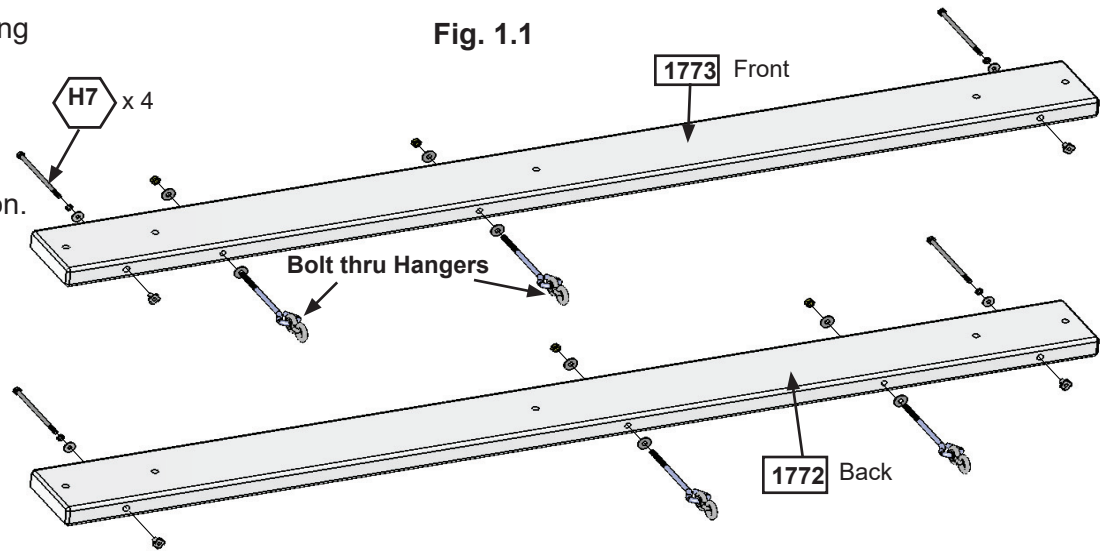
<https://kidkraft.zendesk.com/hc/en-us/>

Step 1: Swing Beam Assembly



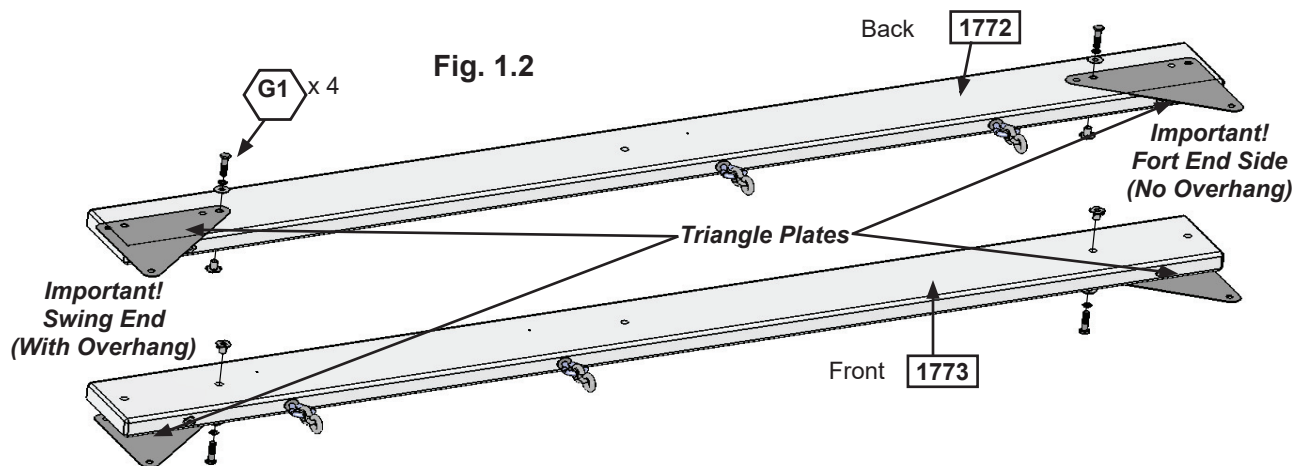
Warning: For your child's safety, orientate the swing hangers as shown to ensure your swing will have proper swing motion when installed. Failure to do so could result in premature failure of the swing hanger or swing chain.

A: In the middle holes of (1772) CE SW Beam Back and (1773) CE SW Beam Front install 2 Bolt-Thru Swing Hangers in each beam (fig. 1.1) making sure the swing hangers are oriented in the direction shown in fig. 1.3 to maintain proper swing motion.



B: Attach 1 Triangle Plate to the ends of each (1772) CE SW Beam Back and (1773) CE SW Beam Front using 1 (G1) 5/16 x 1-1/2" Hex Bolt (with lock washer, flat washer and t-nut) per Triangle Plate in the hole indicated in fig. 1.2. **Correct hole usage is very important.**

C: Attach 1 (H7) 1/4 x 5-1/2" Hex Bolt (with lock washer, flat washer and t-nut) to the ends of each (1772) CE SW Beam Back and (1773) CE SW Beam Front. These bolts do not attach to anything, but **MUST** be installed to the beams to prevent splitting and checking of wood. (fig. 1.1)



Wood Parts

- 1 x 1772 CE SW Beam Back 2 x 6 x 69-1/2"
- 1 x 1773 CE SW Beam Front 2 x 6 x 69-1/2"

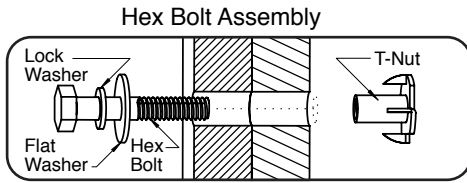
Hardware

- 4 x G1 5/16 x 1-1/2" Hex Bolt (5/16" lock washer, 5/16" flat washer, 5/16" t-nut)
- 4 x H7 1/4 x 5-1/2" Hex Bolt (1/4" lock washer, 1/4" flat washer, 1/4" t-nut)

Other Parts

- 4 x Bolt Thru Swing Hangers
- 1 x Triangle Plates (pkg of 4)

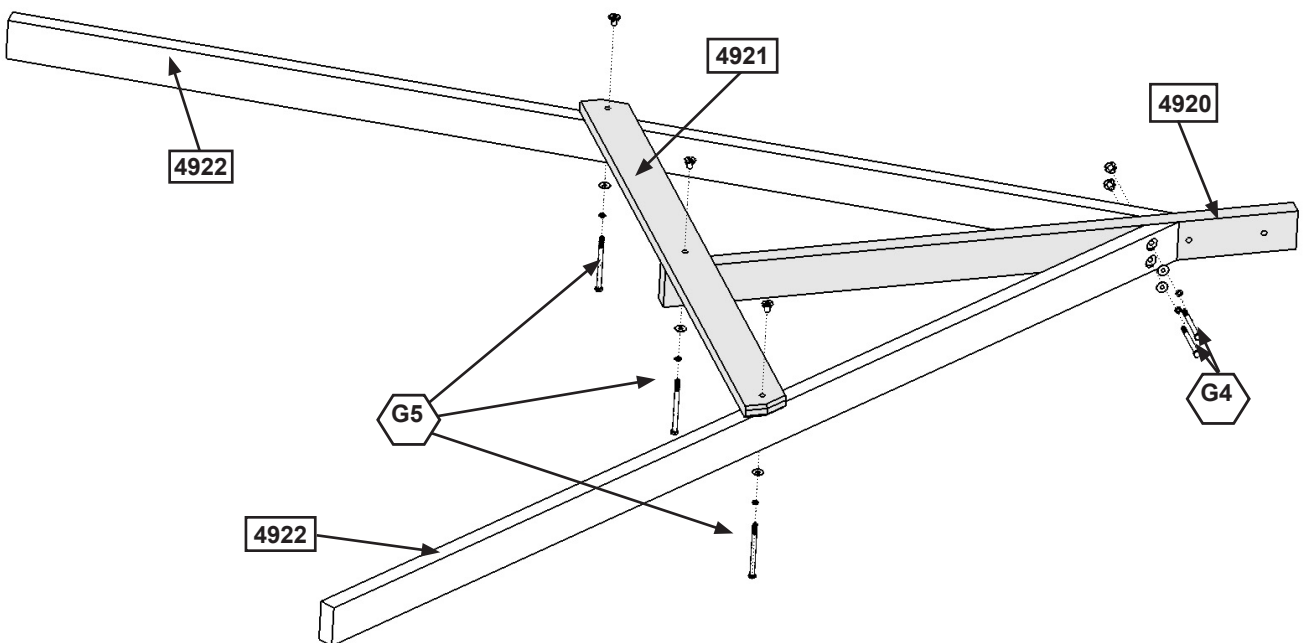
Step 2: Swing End Assembly



A: Attach 2 (4922) SW Posts to (4920) SW Upright using 2 (G4) 5/16 x 4" Hex Bolts (with lock washer, flat washer and t-nut). (fig. 2.1)

B: Attach (4921) SW Support to both (4922) SW Posts and (4920) SW Upright using 3 (G5) 5/16 x 4-1/2" Hex Bolts (with lock washer, flat washer and t-nut). (fig. 2.1)

Fig 2.1



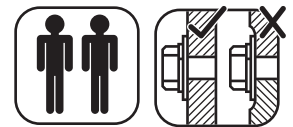
Wood Parts

- 2 x SW Post 2 x 4 x 92-1/2"
- 1 x SW Upright 2 x 4 x 50-1/2"
- 1 x SW Support 5/4 x 4 x 48-1/2"

Hardware

- 2 x 5/16 x 4" Hex Bolt
(5/16" lock washer, 5/16" flat washer, 5/16" t-nut)
- 3 x 5/16 x 4-1/2" Hex Bolt
(5/16" lock washer, 5/16" flat washer, 5/16" t-nut)

Step 3: Attach Swing End to Swing Beam



A: Place (4919) SW Rail Block in the centre between (1772) CE SW Beam Back and (1773) CE SW Beam Front and attach with 1 (H8) 1/4 x 4-1/4" Hex Bolt (with lock washer, flat washer and t-nut). (fig. 3.1 & 3.2)

B: Attach Swing Beam Assembly to the side of the Swing End Assembly with the overhang (fig. 3.3 & 3.4) using 1 (G5) 5/16 x 4-1/2" Hex Bolt (with lock washer, flat washer and t-nut) in the top hole of Triangle Plate and 1 (G8) 5/16 x 2" Hex Bolt (with 2 flat washers and lock nut) in the bottom hole of Triangle Plate. (fig. 3.3) Make sure Swing End Assembly flares out at an angle.

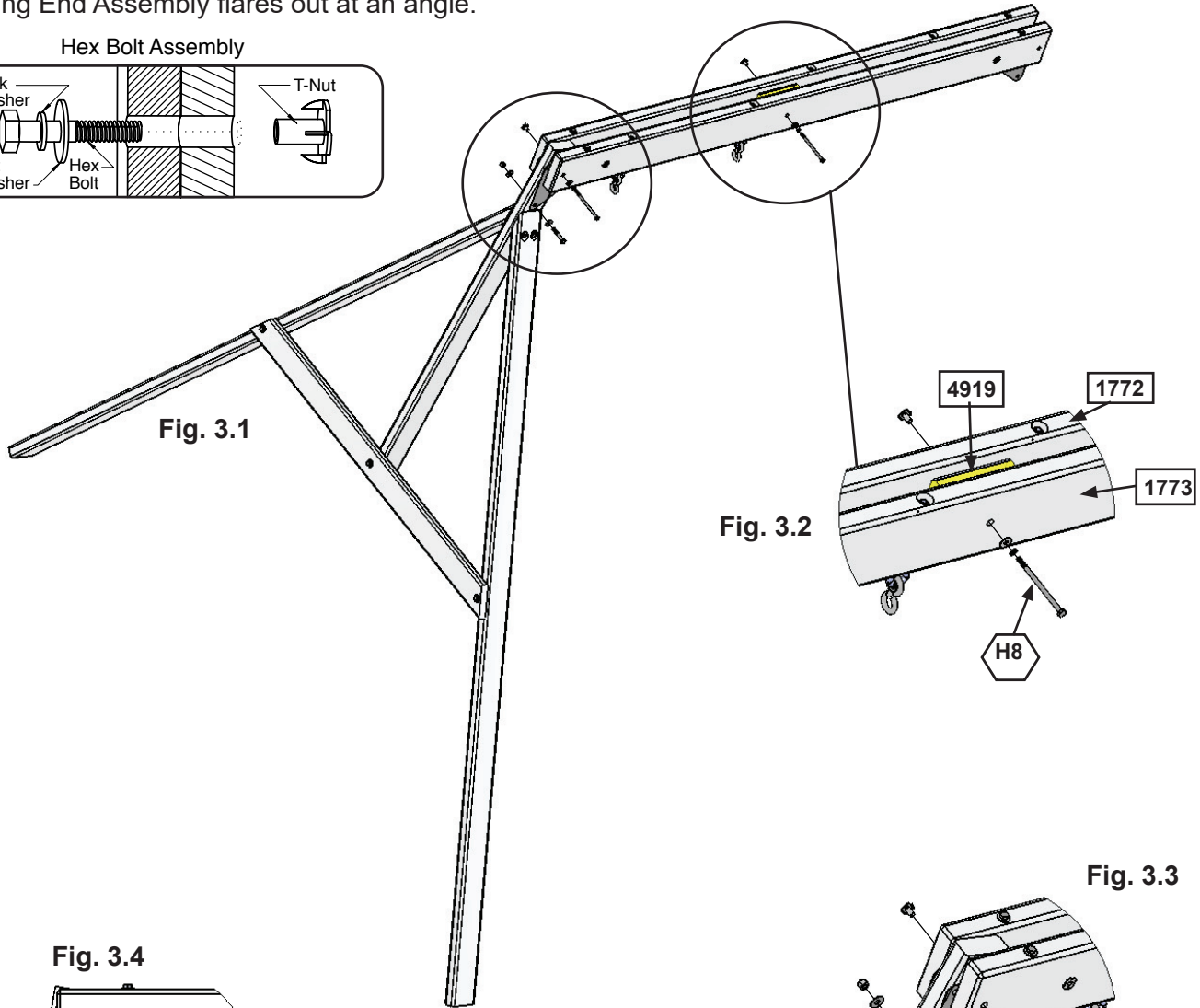
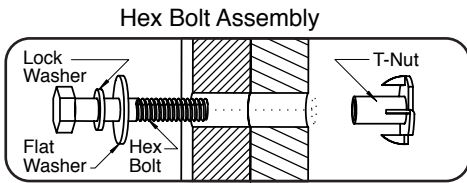
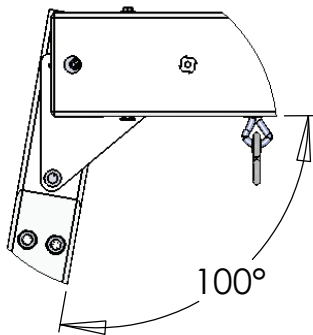


Fig. 3.1

Fig. 3.2

Fig. 3.3

Fig. 3.4



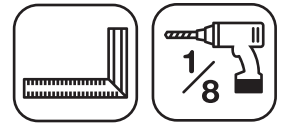
Wood Parts

1 x [4919] SW Rail Block 2 x 4 x 5-3/8"

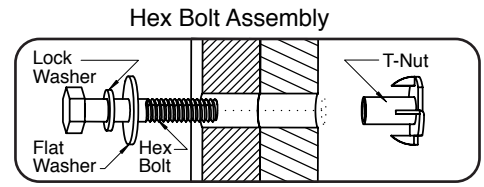
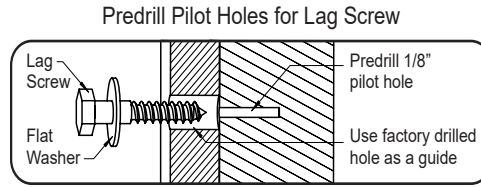
Hardware

- 1 x [H8] 1/4 x 4-1/4" Hex Bolt (1/4" lock washer, 1/4" flat washer, 1/4" t-nut)
- 1 x [G5] 5/16 x 4-1/2" Hex Bolt (5/16" lock washer, 5/16" flat washer, 5/16" t-nut)
- 1 x [G8] 5/16 x 2" Hex Bolt (5/16" flat washer x 2, 5/16" lock nut)

Step 4: Right Wall Assembly



Pre-drill all pilot holes using a 1/8" drill bit before installing the lag screws.

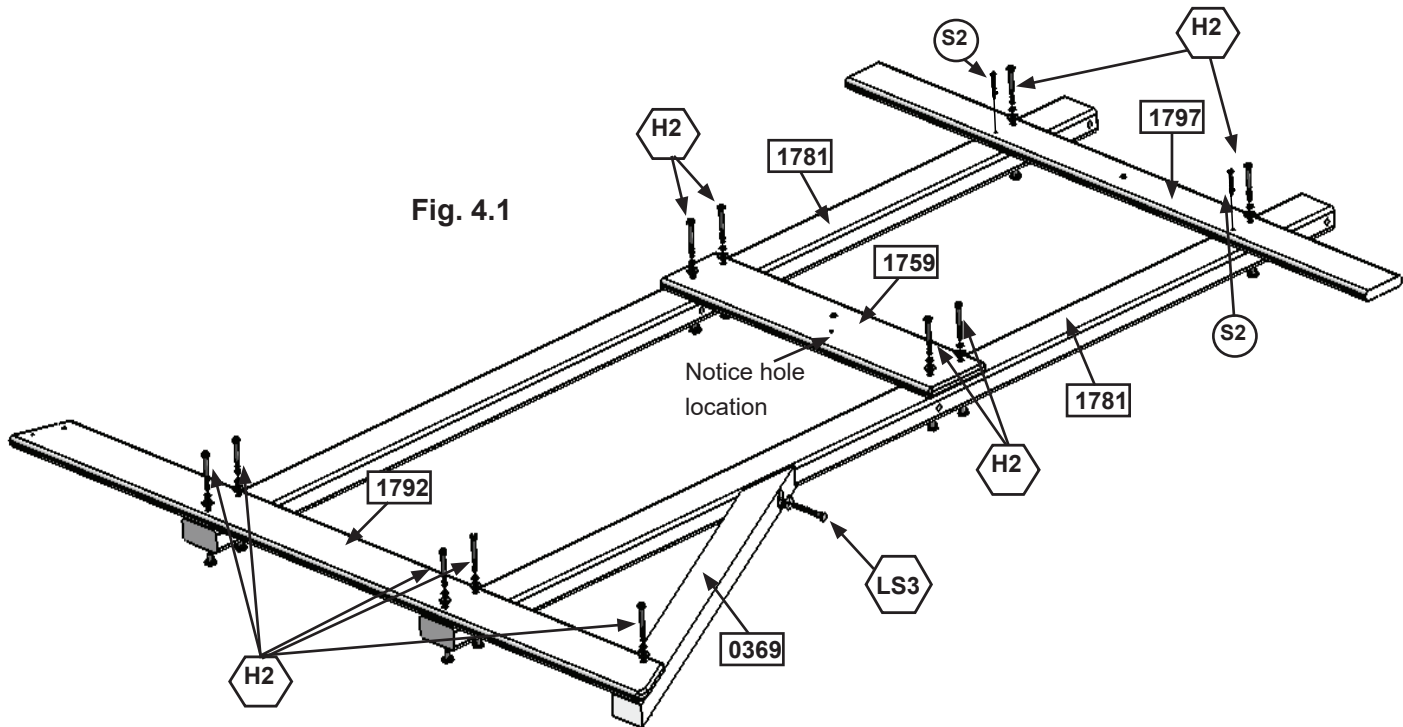


A: Lay out 2 (1781) Corner Posts and attach 1 (1792) Lower Side and 1 (1759) SW Floor with 4 (H2) 1/4 x 2" Hex Bolts (with lock washer, flat washer and t-nut) per board and 1 (1797) Side Top with 2 (H2) 1/4 x 2" Hex Bolt (with lock washer, flat washer and t-nut) in the top holes. (fig. 4.1) **Be sure to keep bolts loose.**

B: Make sure assembly is square and then in the bottom holes of the (1797) Side Top fasten to each (1781) Corner Post using 2 (S2) #8 x 1-1/2" Wood Screws. (fig. 4.1)

C: Attach (0369) Lower Diagonal to (1792) Lower Side with 1 (H2) 1/4 x 2" Hex Bolt (with lock washer, flat washer and t-nut). Make sure assembly is still square and then attach to (1781) Corner Post using 1 (LS3) 1/4 x 3" Lag Screw (with flat washer). (fig. 4.1)

Fig. 4.1



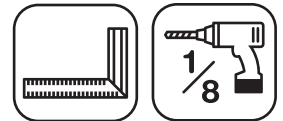
Wood Parts

- 2 x 1781 Corner Post 2 x 4 x 83"
- 1 x 1792 Lower Side 1 x 5 x 62-3/8"
- 1 x 0369 Lower Diagonal 2 x 3 x 37"
- 1 x 1797 Side Top 1 x 4 x 51-1/2"
- 1 x 1759 SW Floor 1 x 6 x 26-7/8"

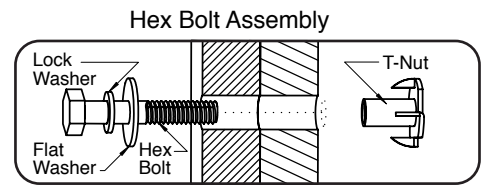
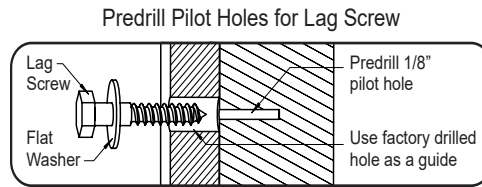
Hardware

- 11 x H2 1/4 x 2" Hex Bolt (1/4" lock washer, 1/4" flat washer, 1/4" t-nut)
- 2 x S2 #8 x 1-1/2" Wood Screw
- 1 x LS3 1/4 x 3" Lag Screw (with 1/4" flat washer)

Step 5: Left Wall Assembly



Pre-drill all pilot holes using a 1/8" drill bit before installing the lag screws.



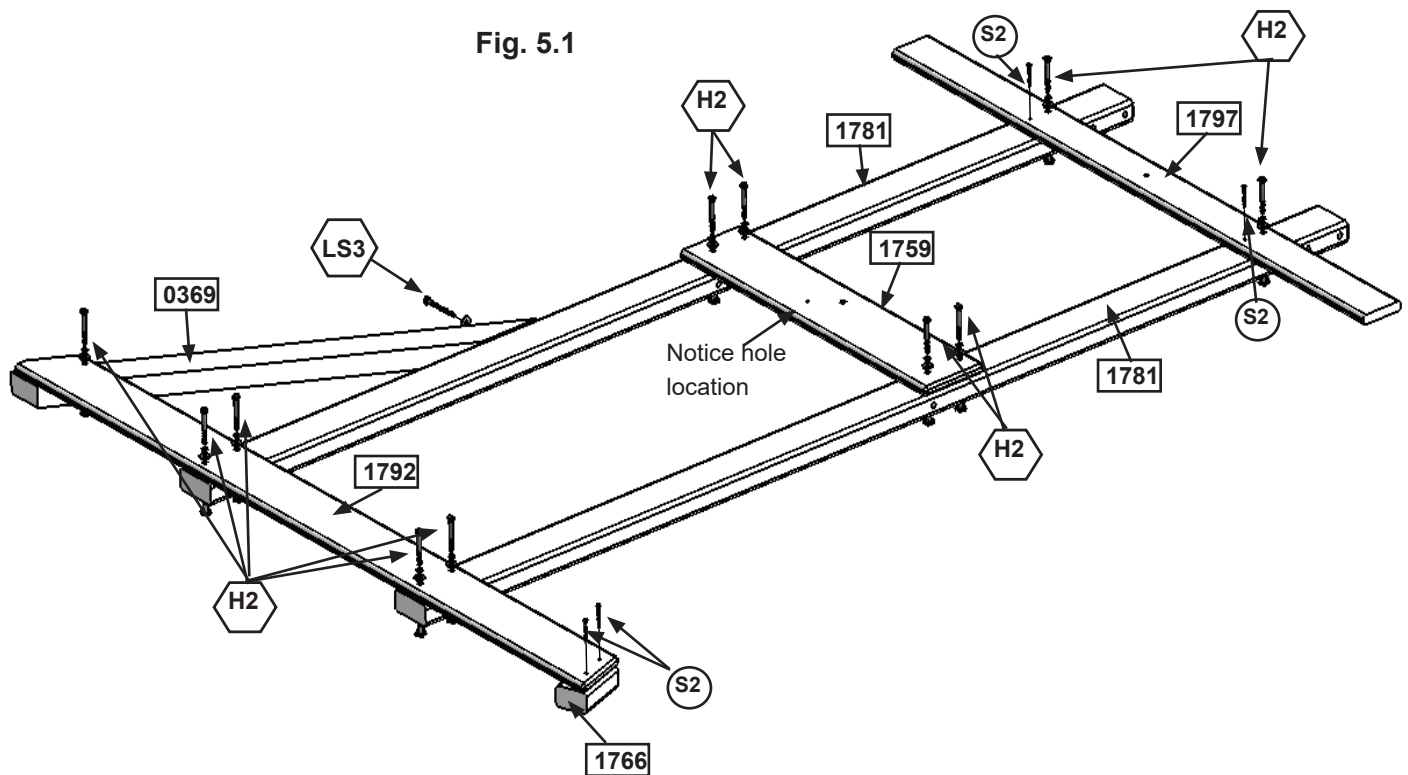
A: To the 2 remaining (1781) Corner Posts attach 1 (1792) Lower Side and 1 (1759) SW Floor with 4 (H2) 1/4 x 2" Hex Bolts (with lock washer, flat washer and t-nut) per board and 1 (1797) Side Top with 2 (H2) 1/4 x 2" Hex Bolt (with lock washer, flat washer and t-nut) in the top holes. (fig. 5.1) **Be sure to keep bolts loose.**

B: Make sure assembly is square and then in the bottom holes of the (1797) Side Top fasten to each (1781) Corner Post using 2 (S2) #8 x 1-1/2" Wood Screws. (fig. 5.1)

C: Attach (0369) Lower Diagonal to (1792) Lower Side with 1 (H2) 1/4 x 2" Hex Bolt (with lock washer, flat washer and t-nut). Make sure assembly is still square and then attach to (1781) Corner Post using 1 (LS3) 1/4 x 3" Lag Screw (with flat washer). (fig. 5.1)

D: Attach 1 (1766) Corner Block flush to the end of (1792) Lower Side with 2 (S2) #8 x 1-1/2" Wood Screws. (fig. 5.1)

Fig. 5.1



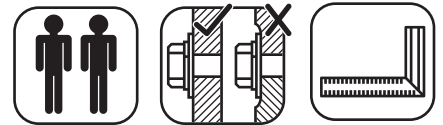
Wood Parts

- 2 x 1781 Corner Post 2 x 4 x 83" 1 x 1766 Corner Block 2 x 3 x 4-1/2"
- 1 x 1792 Lower Side 1 x 5 x 62-3/8"
- 1 x 1759 SW Floor 1 x 6 x 26-7/8"
- 1 x 1797 Side Top 1 x 4 x 51-1/2"
- 1 x 0369 Lower Diagonal 2 x 3 x 37"

Hardware

- 11 x H2 1/4 x 2" Hex Bolt (1/4" lock washer, 1/4" flat washer, 1/4" t-nut)
- 4 x S2 #8 x 1-1/2" Wood Screw
- 1 x LS3 1/4 x 3" Lag Screw (with 1/4" flat washer)

Step 6: Fort Assembly



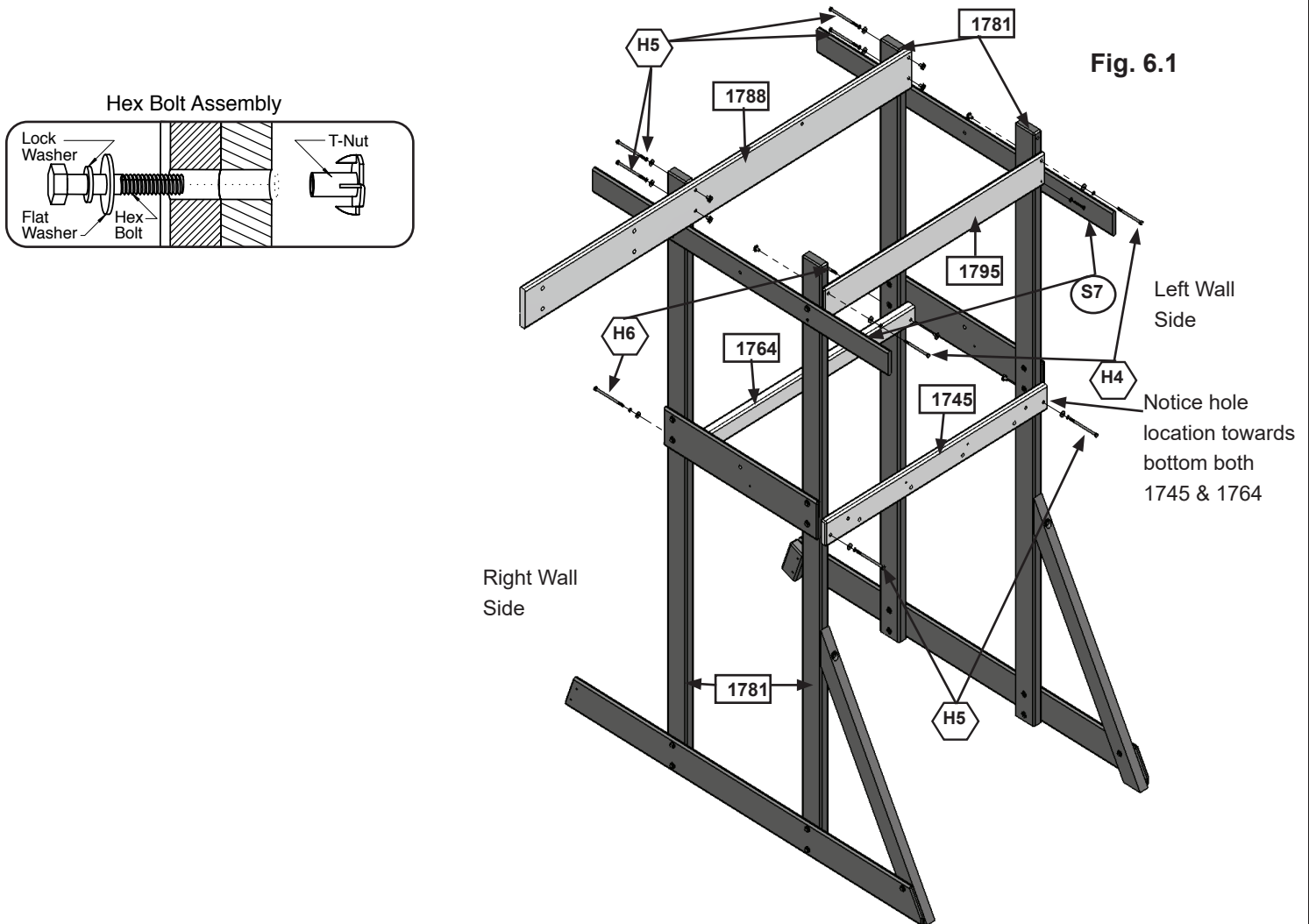
A: With both the Left and Right Wall Assemblies facing each other, on the (1781) Corner Posts with the (0369) Lower Diagonals, attach 1 (1745) Top Rope to the outside of the assembly with 2 (H5) 1/4 x 4-1/2" Hex Bolts (with lock washer, flat washer and t-nut). (fig. 6.1)

B: On the opposite (1781) Corner Posts attach 1 (1764) Floor Front to the inside of the assembly with 2 (H6) 1/4 x 4-3/4" Hex Bolts (with lock washer, flat washer and t-nut). The Hex Bolts are installed from the outside of the assembly. (fig. 6.1)

C: On the (1781) Corner Posts above the (1764) Floor Front attach 1 (1788) Acro Top with 4 (H5) 1/4 x 4-1/2" Hex Bolts (with lock washer, flat washer and t-nut). This board should be flush to the tops of (1781) Corner Posts and the extension should be on the Right Wall Assembly side. (fig. 6.1)

D: Attach 1 (1795) Top Back to the (1781) Corner Posts above the (1745) Top Rope with 2 (H4) 1/4 x 4" Hex Bolts (with lock washer, flat washer and t-nut) in the top holes. (fig. 6.1)

E: Make sure the assembly is square and then attach (1795) Top Back to the (1781) Corner Posts with 2 (S7) #12 x 2" Pan Screws (with 3/16" flat washer) in the bottom holes. (fig. 6.1)



Wood Parts

- 1 x 1745 Top Rope 5/4 x 4 x 38-3/4"
- 1 x 1764 Floor Front 2 x 3 x 38-1/2"
- 1 x 1788 Acro Top 5/4 x 6 x 67-1/2"
- 1 x 1795 Top Back 1 x 5 x 38-1/2"

Hardware

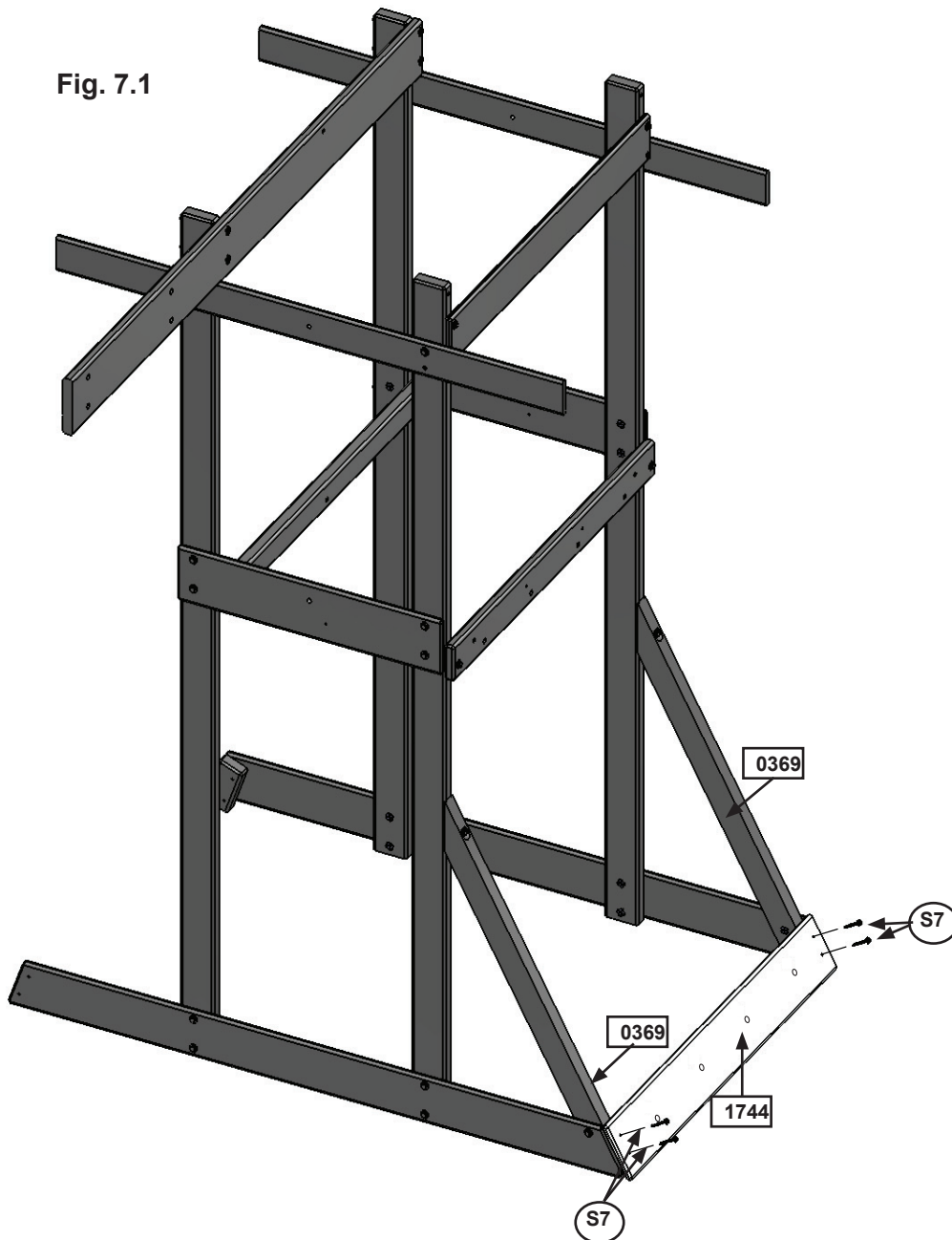
- 6 x H5 1/4 x 4-1/2" Hex Bolt (1/4" lock washer, 1/4" flat washer, 1/4" t-nut)
- 2 x S7 #12 x 2" Pan Screw (with 3/16" flat washer)
- 2 x H6 1/4 x 4-3/4" Hex Bolt (1/4" lock washer, 1/4" flat washer, 1/4" t-nut)
- 2 x H4 1/4 x 4" Hex Bolt (1/4" lock washer, 1/4" flat washer, 1/4" t-nut)

Step 7: Attach Lower Back



A: Reconfirm that the assembly is square, then attach (1744) Lower Back flush to the bottom of each (0369) Lower Diagonal with 4 (S7) #12 x 2" Pan Screws (with 3/16" flat washer). (fig. 7.1)

Fig. 7.1

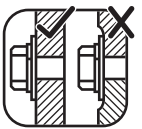


Wood Parts

1 x 1744 Lower Back 1 x 6 x 39-3/4"

Hardware

4 x S7 #12 x 2" Pan Screw (with 3/16" flat washer)



Step 8: Attach Side Joist and Centre Divider

A: From the inside of the assembly attach (1761) Side Joist to (1745) Top Rope with 2 (H3) 1/4 x 2-1/2" Hex Bolts (with lock washer, flat washer and t-nut) and 2 (S7) #12 x 2" Pan Screws (with 3/16" flat washer). Bolts and screws are to be installed from the outside of the assembly. (fig. 8.1)

B: Attach 1 (1747) Centre Divider to (1788) Acro Top with 1 (H13) 1/4 x 3-1/2" Hex Bolts (with lock washer, flat washer and t-nut) installed from the outside of the assembly (fig. 8.1) and to (1764) Floor Front with 1 (H13) 1/4 x 3-1/2" Hex Bolts (with lock washer, flat washer and t-nut) installed from the inside of the assembly. (fig. 8.2)

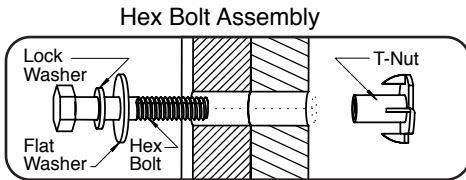
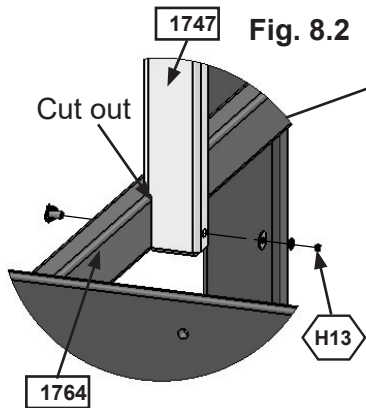
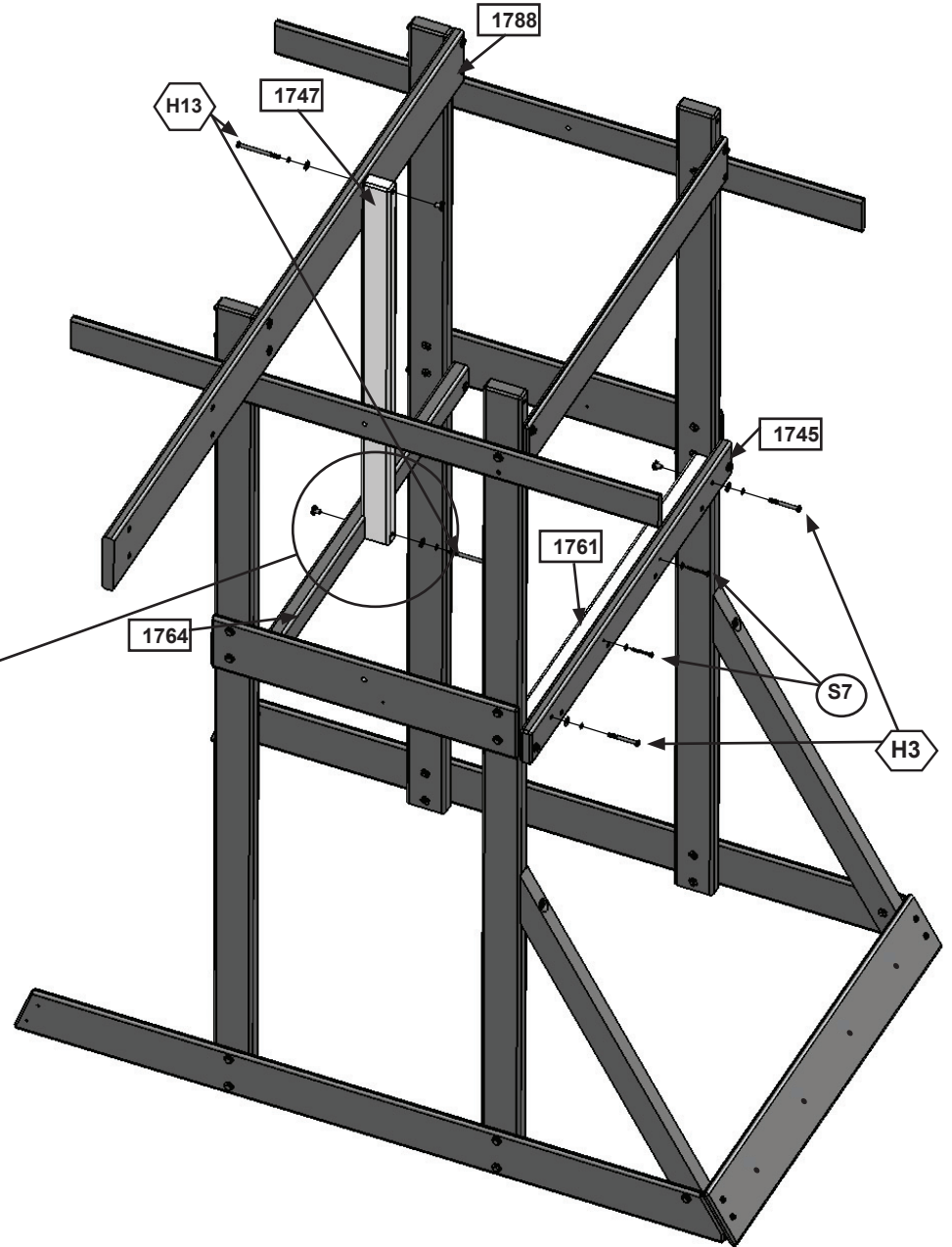


Fig. 8.1



Wood Parts

- 1 x 1761 Side Joist 2 x 2 x 34-3/4"
- 1 x 1747 Centre Divider 2 x 3 x 38"

Hardware

- 2 x S7 #12 x 2" Pan Screw (with 3/16" flat washer)
- 2 x H3 1/4 x 2-1/2" Hex Bolt (1/4" lock washer, 1/4" flat washer, 1/4" t-nut)
- 2 x H13 1/4 x 3-1/2" Hex Bolt (1/4" lock washer, 1/4" flat washer, 1/4" t-nut)

Step 9: Attach Lower Front and Rock Rails



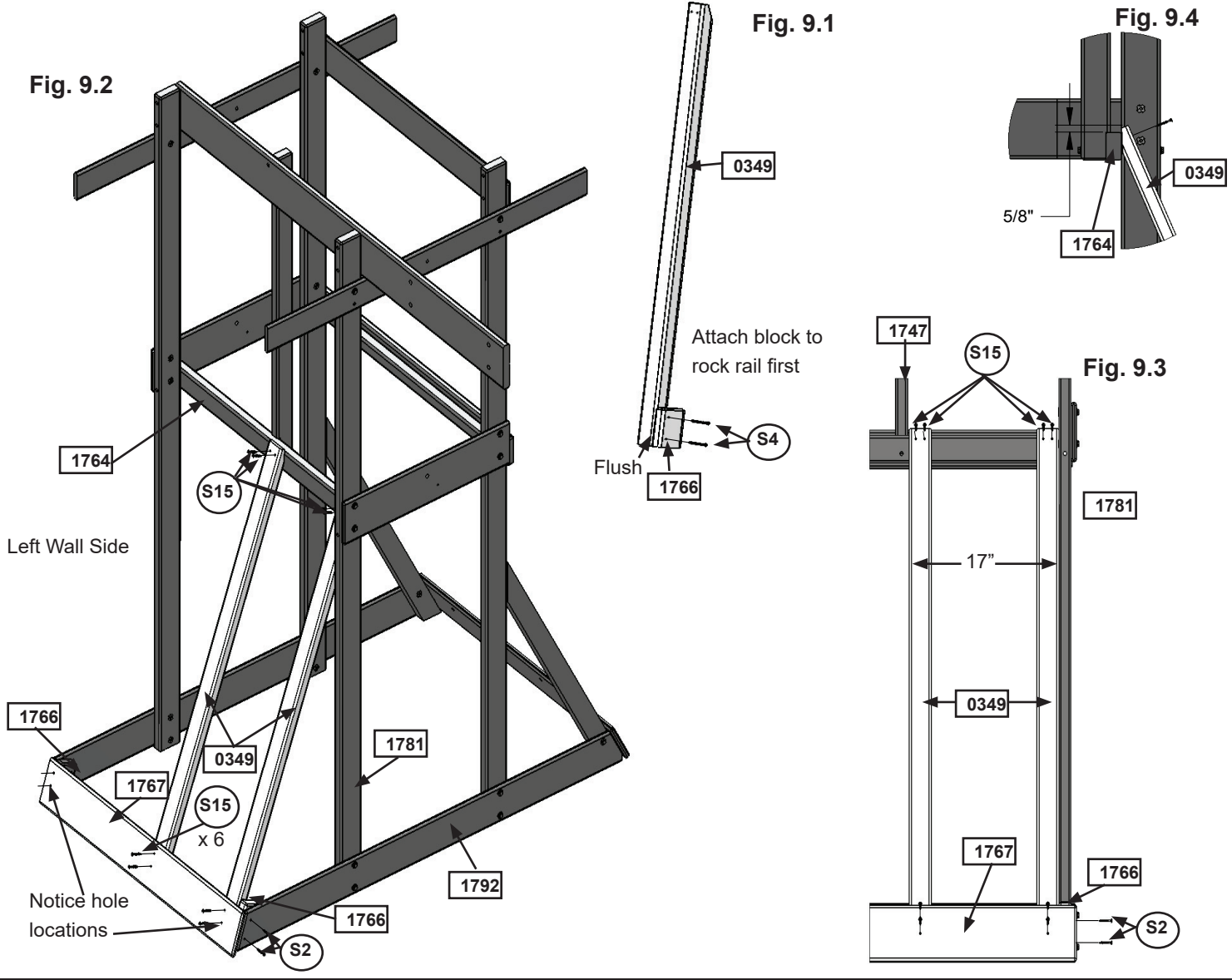
A: Attach 1 (1766) Corner Block flush to the bottom and side of 1 (0349) Rock Rail with 2 (S4) #8 x 3" Wood Screws as shown in fig. 9.1.

B: Attach the (0349) Rock Rail from Step 9A, 5/8" above the top of (1764) Floor Front and tight to (1781) Corner Post with 2 (S15) #8 x 1-3/4" Wood Screws. (fig. 9.2, 9.3 & 9.4)

C: Attach a second (0349) Rock Rail 5/8" above the top of (1764) Floor Front and tight to (1747) Centre Divider with 2 (S15) #8 x 1-3/4" Wood Screws. Maintain 17" from outside of (0349) Rock Rails, top and bottom. (fig. 9.2, 9.3 & 9.4).

D: Attach (1792) Lower Side to (1766) Corner Block with 2 (S2) #8 x 1-1/2" Wood Screws. (fig. 9.2 & 9.3)

E: Attach 1 (1767) Lower Front to each (0349) Rock Rail and to (1766) Corner Block on the Left Wall side with 6 (S15) #8 x 1-3/4" Wood Screws. (fig. 9.2)



Wood Parts

- 1 x 1766 Corner Block 2 x 3 x 4-1/2"
- 2 x 0349 Rock Rail 2 x 3 x 51"
- 1 x 1767 Lower Front 1 x 6 x 39-3/4"

Hardware

- 2 x S2 #8 x 1-1/2" Wood Screw
- 2 x S4 #8 x 3" Wood Screw
- 10 x S15 #8 x 1-3/4" Wood Screw

Step 10: Attach Gusset



A: Make sure assembly is square and then place 1 (0312) Gusset tight to the under side of (1764) Floor Front and to (1781) Corner Post from the inside of the assembly. Make sure the gusset is flush to the outside of the post and attach with 2 (S4) #8 x 3" Wood Screws per side. (fig. 10.1 & 10.2)

Fig. 10.1

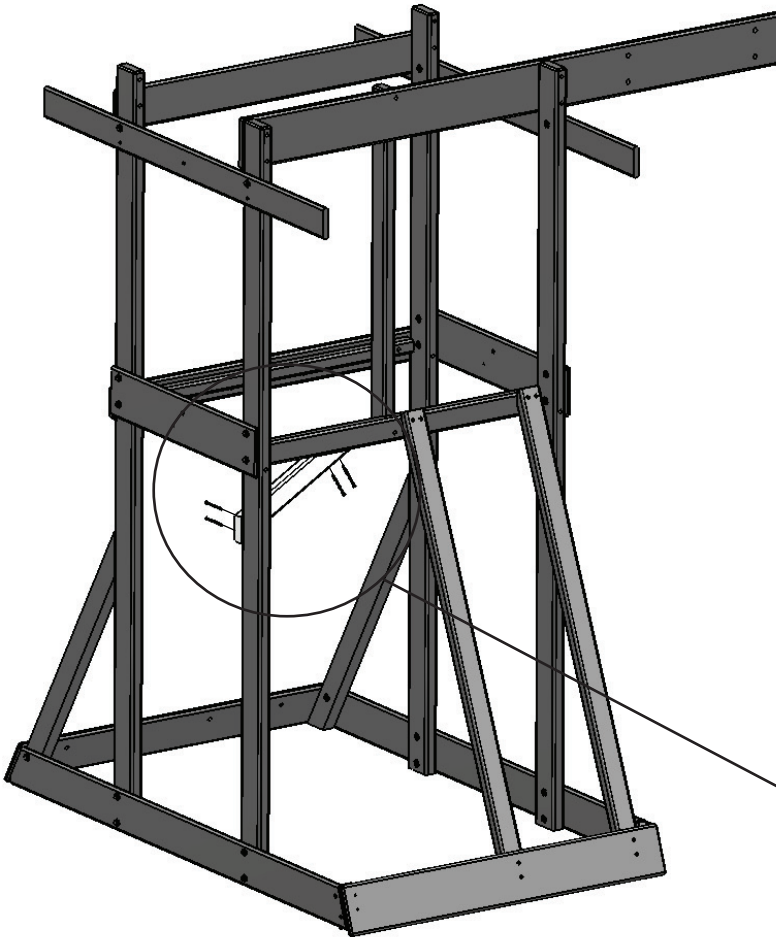
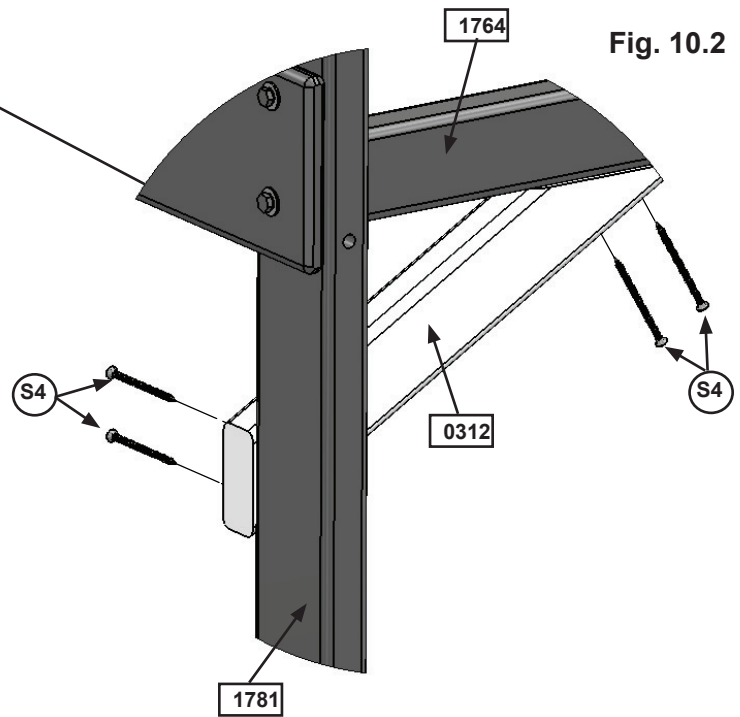


Fig. 10.2



Wood Parts

1 x 0312 Gusset 2 x 3 x 16"

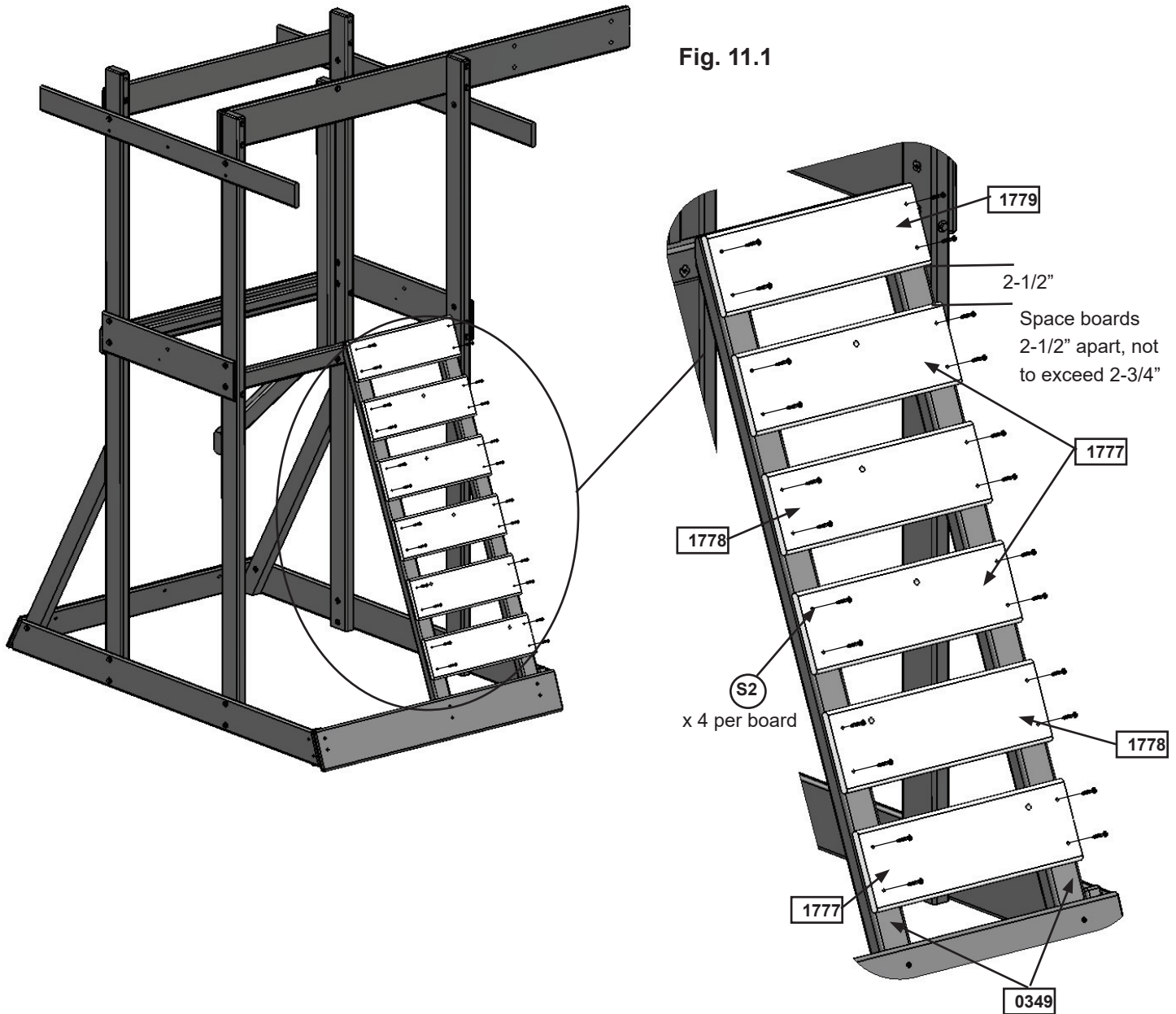
Hardware

4 x S4 #8 x 3" Wood Screw

Step 11: Rock Wall Assembly

A: Flush to the tops and outside edges of each (0349) Rock Rail attach 1 (1779) CE Access Board with 4 (S2) #8 x 1-1/2" Wood Screws. (fig. 11.1)

B: Evenly space 3 (1777) CE Rock Board B and 2 (1778) CE Rock Board A and attach to each (0349) Rock Rail with 4 (S2) #8 x 1-1/2" Wood Screws per board. Make sure the boards are staggered so the rock holes do not line up and the gap between boards should be 2-1/2", but not to exceed 2-3/4". (fig. 11.1)



Wood Parts

- 1 x 1779 CE Access Board 1 x 6 x 17"
- 3 x 1777 CE Rock Board B 1 x 6 x 17"
- 2 x 1778 CE Rock Board A 1 x 6 x 17"

Hardware

- 24 x (S2) #8 x 1-1/2" Wood Screw

Step 11: Rock Wall Assembly cont.

C: Place 1 rock on each (1777) and (1778) CE Rock Board (fig. 11.2) and attach using the included hardware. The screw must be in the hole directly under the Pan Bolt. It will stop the rock from spinning. (fig. 11.3)

Fig. 11.2

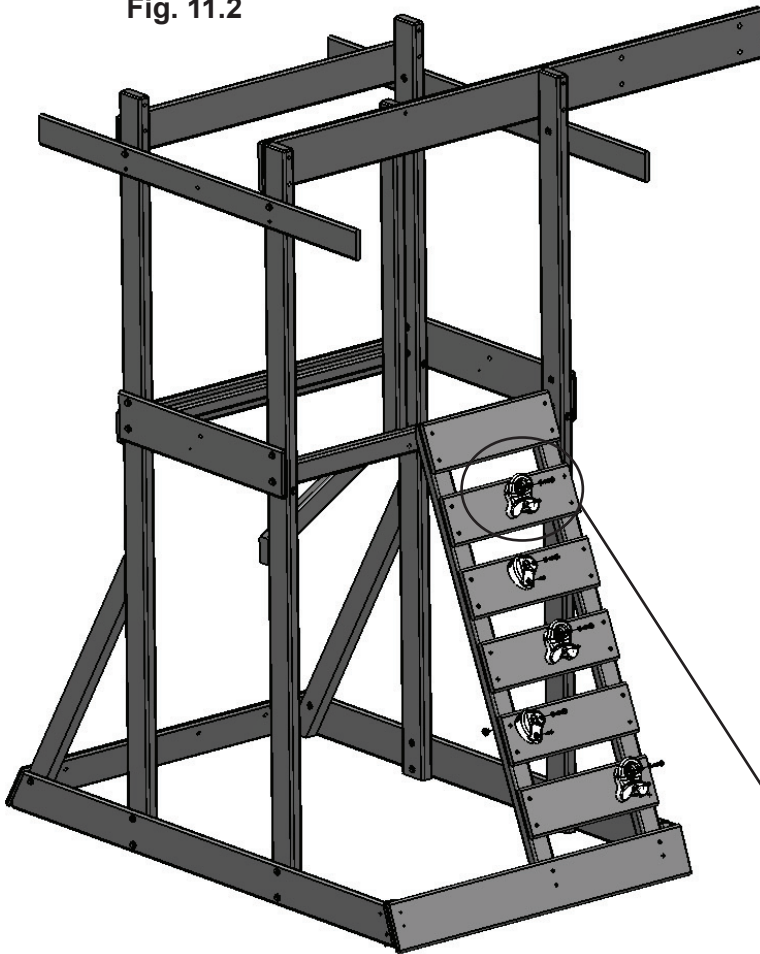
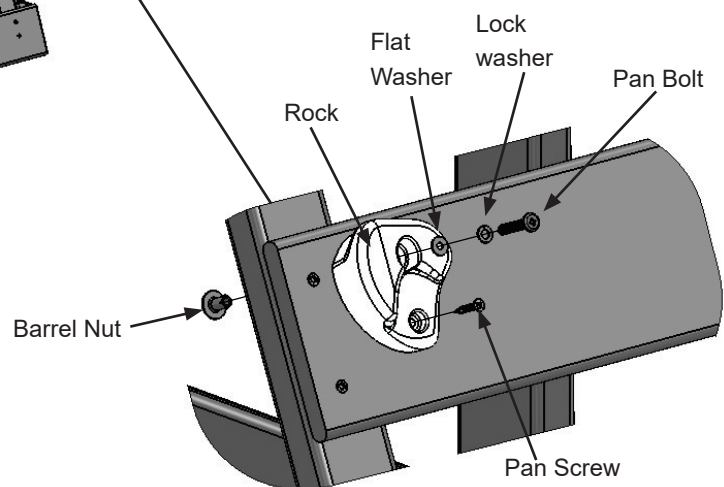


Fig. 11.3



Other Parts

1 x Rock with hardware (pkg of 5)

Step 12: Floor Assembly



- A:** From the inside of the assembly measure 3-1/8" down from top of each (1759) SW Floor End then attach (1763) Floor Joist to each board with 1 (S4) #8 x 3" Wood Screws per end. (fig. 12.1, 12.2 and 12.3)
- B:** Attach 1 (1780) Centre Board to (1764) Floor Front, (1763) Floor Joist and (1761) Side Joist with 5 (S2) #8 x 1-1/2" Wood Screws. Make sure this board is tight to (1745) Top Rope and the gap in this board fits around (1747) Centre Divider. (fig. 12.1)
- C:** Attach 1 (1774) CE Gap Board to each end of the Floor Assembly with 5 (S2) #8 x 1-1/2" Wood Screws per board. Make sure the boards are tight to (1745) Top Rope, (1759) SW Floor and to each (1781) Corner Post. (fig. 12.1)

Fig. 12.1

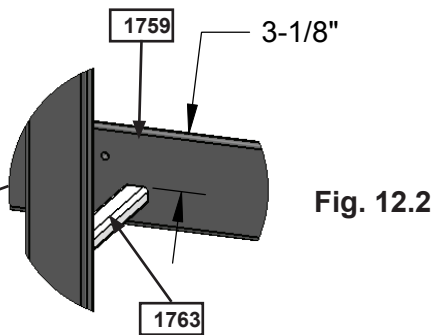
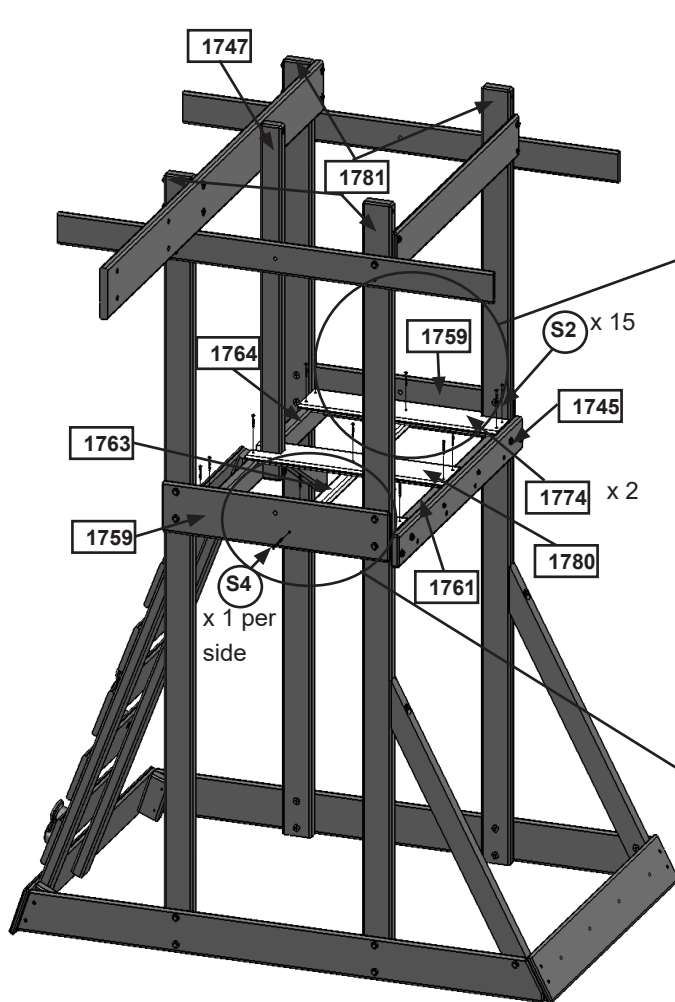


Fig. 12.2

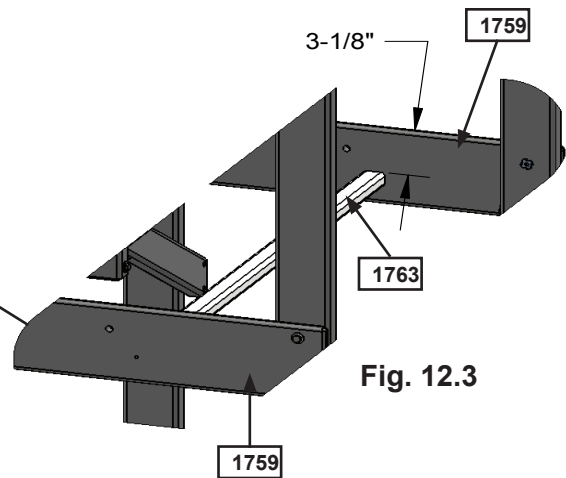


Fig. 12.3

Wood Parts

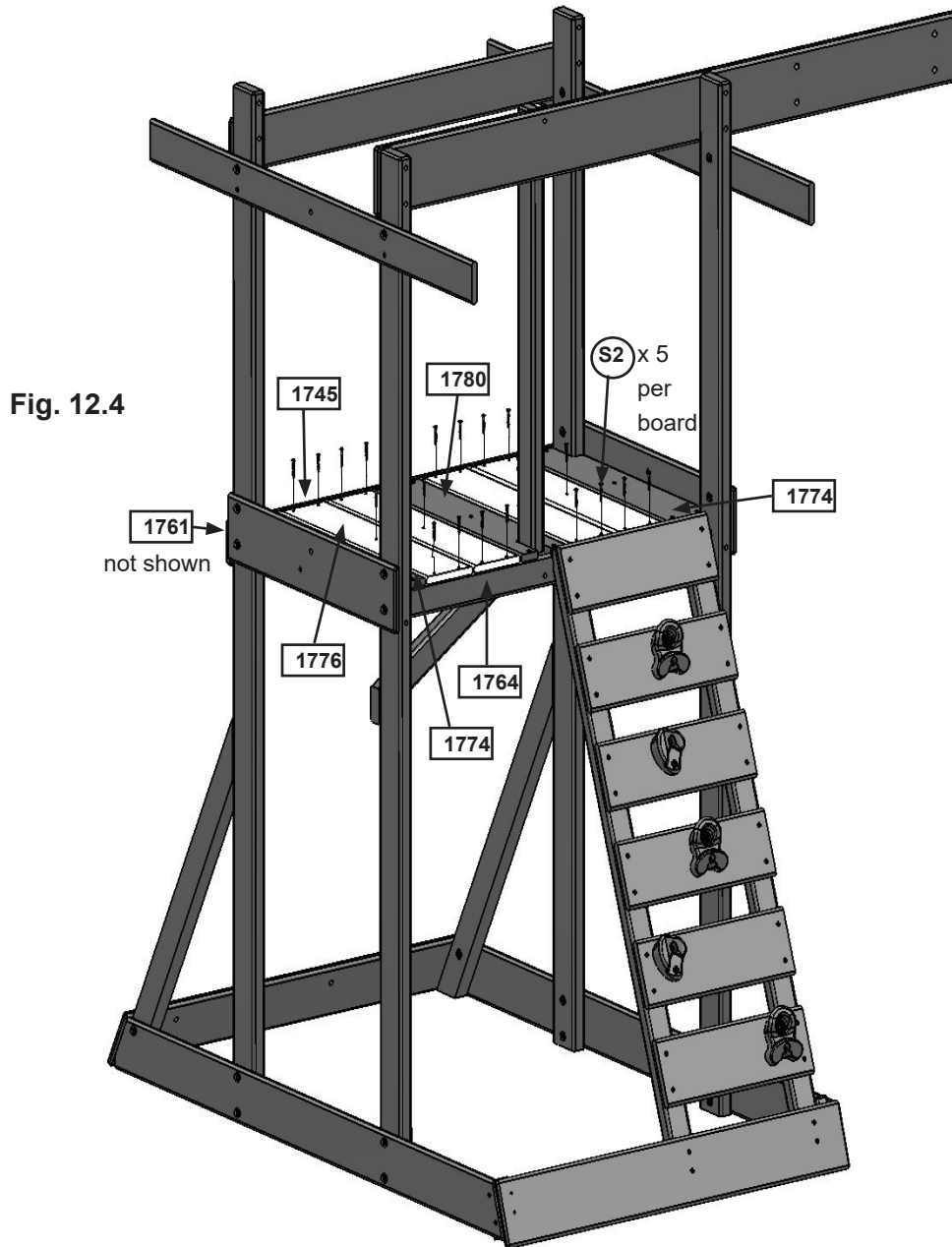
- 1 x 1763 Floor Joist 5/4 x 2 x 38-1/2"
- 1 x 1780 Centre Board 1 x 6 x 23-1/2"
- 2 x 1774 CE Gap Board 1 x 6 x 23-1/2"

Hardware

- 2 x (S4) #8 x 3" Wood Screw
- 15 x (S2) #8 x 1-1/2" Wood Screw

Step 12: Floor Assembly cont.

D: In between (1774) CE Gap Boards and (1780) Centre Board place 4 (1776) Floor Boards making sure all boards are evenly spaced. Attach to (1761) Side Joist, (1763) Floor Joist and (1764) Floor Front using 5 (S2) #8 x 1-1/2" Wood Screws per board. (fig. 12.4)

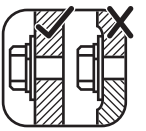


Wood Parts

4 x 1776 Floor Board 1 x 6 x 23-1/2"

Hardware

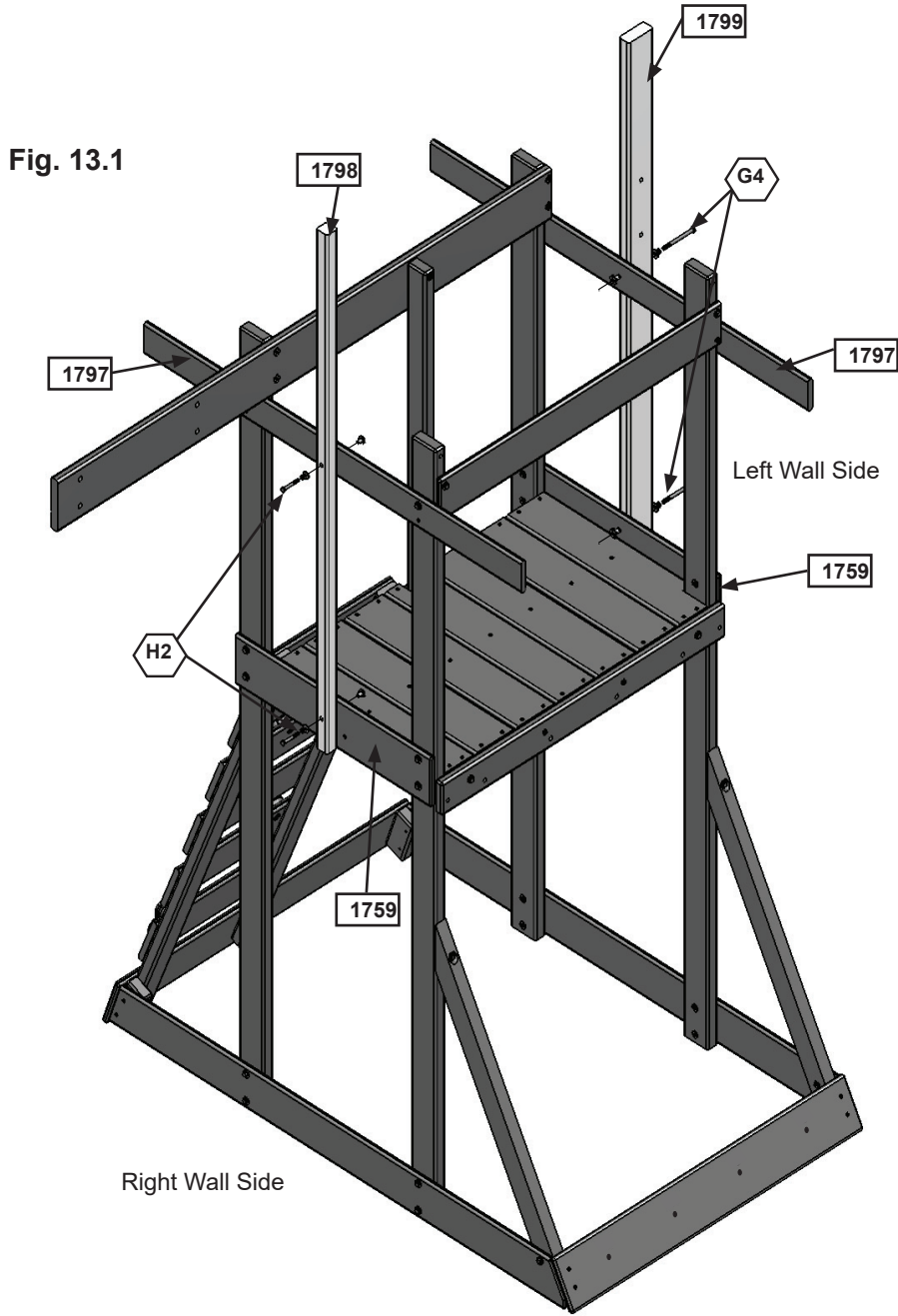
20 x S2 #8 x 1-1/2" Wood Screw



Step 13: Attach Roof Supports

A: Attach 1 (1798) Tarp Support to (1797) Side Top and (1759) SW Floor on the Right Wall side of the assembly with 2 (H2) 1/4 x 2" Hex Bolts (with lock washer, flat washer and t-nut). The support should be flush to the bottom of (1759) SW Floor. (fig. 13.1)

B: Attach 1 (1799) SW Mount to (1797) Side Top and (1759) SW Floor on the Left Wall side of the assembly with 2 (G4) 5/16 x 4" Hex Bolts (with lock washer, flat washer and t-nut). This board should be flush to the bottom of (1759) SW Floor. (fig. 13.1)



Wood Parts

- 1 x 1798 Tarp Support 2 x 2 x 56"
- 1 x 1799 SW Mount 2 x 4 x 56"

Hardware

- 2 x H2 1/4 x 2" Hex Bolt
(1/4" lock washer, 1/4" flat washer, 1/4" t-nut)
- 2 x G4 5/16 x 4" Hex Bolt
(5/16" lock washer, 5/16" flat washer, 5/16" t-nut)

Step 15: Attach Wall Boards



A: On both sides of (1798) Tarp Support attach 2 (5265) Cedar Walls to (1797) Side Top and (1759) SW Floor with 4 (S1) #8 x 1-1/8" Wood Screws per board. Make sure the bottom of the boards are tight against the gap boards and the bevelled edges to the top, facing out. Space between boards should be 3-1/8", but not to exceed 3-1/4". (fig. 15.1 & 15.2)

B: On both sides of (1799) SW Mount attach 2 (5265) Cedar Walls to (1797) Side Top and (1759) SW Floor with 4 (S1) #8 x 1-1/8" Wood Screws per board. Make sure the bottom of the boards are tight against the gap boards and the bevelled edges to the top, facing out. Space between boards should be 3-1/8", but not to exceed 3-1/4". (fig. 15.1 & 15.2)

Fig. 15.1

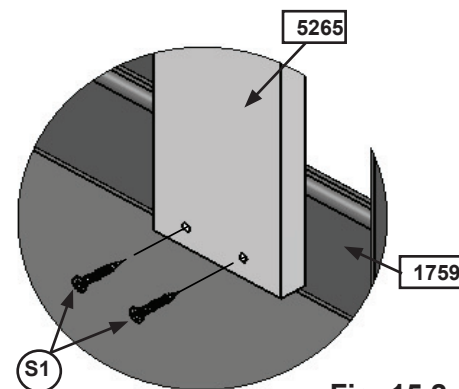
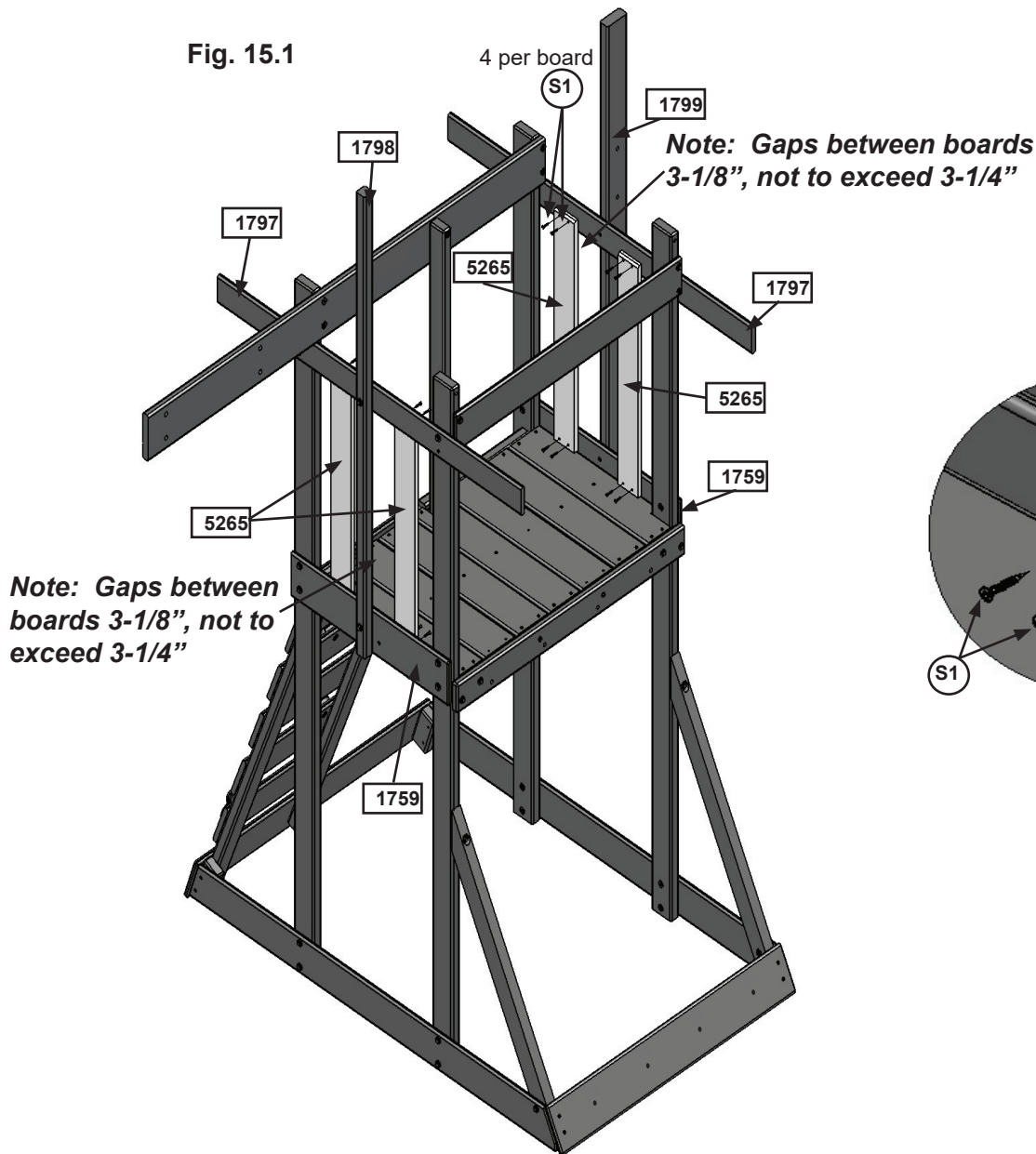


Fig. 15.2

Wood Parts

4 x 5265 Cedar Wall 1 x 4 x 28"

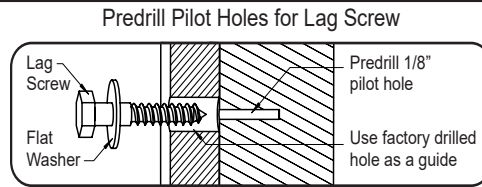
Hardware

16 x (S1) #8 x 1-1/8" Wood Screw

Step 16: Attach Tarp Frame and Hand Grips



Pre-drill all pilot holes using a 1/8" drill bit before installing the lag screws.

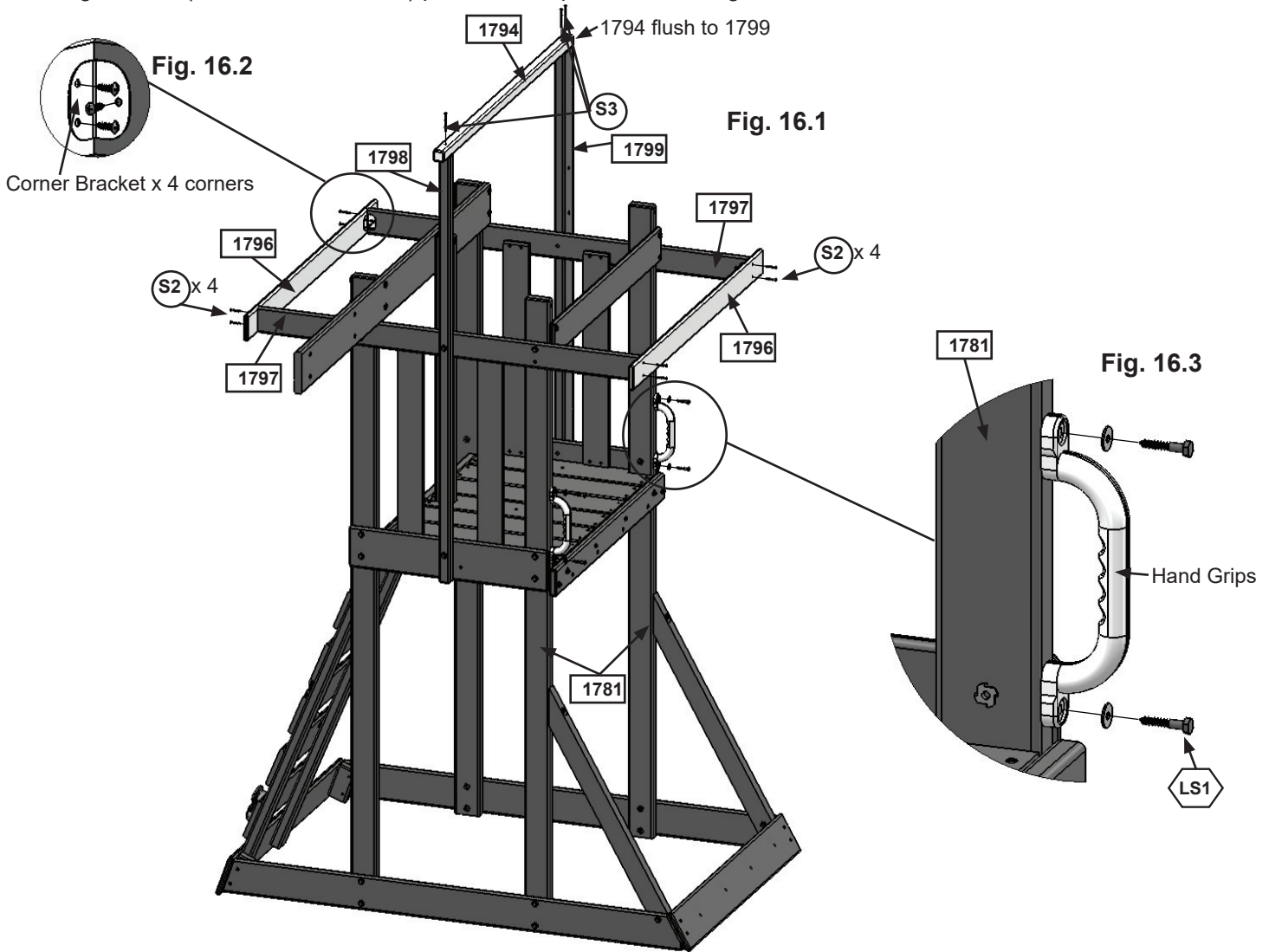


A: Attach (1794) Ridge to (1798) Tarp Support and flush to end of (1799) SW Mount using 3 (S3) #8 x 2-1/2" Wood Screws as shown in (fig. 16.1).

B: Pre-drill pilot holes for the screws using a 1/8" drill bit and then attach 1 (1796) Top End to each end of each (1797) Side Top, making sure the pilot holes are centred on the end of (1797) Side Top, with 4 (S2) #8 x 1-1/2" Wood Screws per (1796) Top End. The top of (1796) Top End should be flush to the top of (1797) Side Top. (fig. 16.1)

C: At all 4 corners attach 1 Corner Brace using the hardware provided as shown in (fig.16.1 & 16.2).

D: On the opposite side of the fort from the Rock Wall attach 1 Hand Grip on each (1781) Corner Post with 2 (LS1) 1/4 x 1-1/2" Lag Screws (with 1/4" flat washer) per Hand Grip as shown in fig. 16.1 & 16.3.



Wood Parts

- 1 x 1794 Ridge 2 x 2 x 46-1/2"
- 2 x 1796 Top End 1 x 4 x 46-1/2"

Hardware

- 3 x S3 #8 x 2-1/2" Wood Screw
- 8 x S2 #8 x 1-1/2" Wood Screw
- 4 x LS1 1/4 x 1-1/2" Lag Screw (1/4" flat washer)

Other Parts

- 4 x Corner Braces (with hardware)
- 2 x Hand Grips

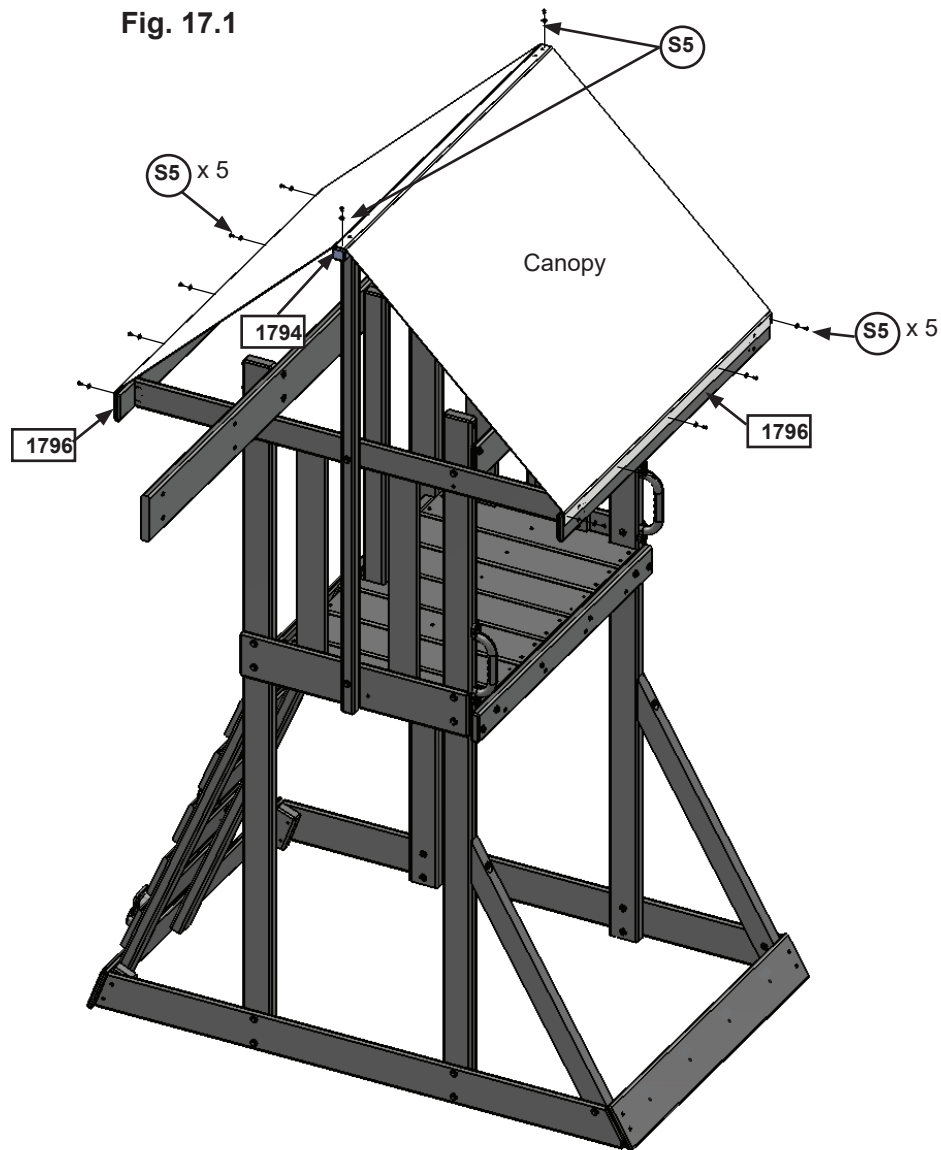
Step 17: Attach Canopy

A: Place Canopy over (1794) Ridge making sure bottom edges of Canopy are even on both sides of assembly. (fig. 17.1)

B: Secure one side by attaching Canopy to 1 (1796) Top End using 5 (S5) #8 x 1/2" Pan Screws (with #8 flat washer). (fig. 17.1)

C: Make sure the Canopy is taut and then secure to the remaining (1796) Top End using 5 (S5) #8 x 1/2" Pan Screws (with #8 flat washer). (fig. 17.1)

D: Attach Canopy to each end of (1794) Ridge using 2 (S5) #8 x 1/2" Pan Screws (with #8 flat washer). (fig. 17.1)



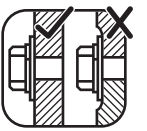
Hardware

12 x (S5) #8 x 1/2" Pan Screw (with #8 flat washer)

Other Parts

1 x Canopy

Step 18: Attach Swing Assembly and Swings



MOVE FORT TO FINAL LOCATION. FINAL LOCATION MUST BE ON LEVEL GROUND

A: Attach Swing Assembly from Step 3 to (1799) SW Mount with 1 (G5) 5/16 x 4-1/2" Hex Bolt (with lock washer, flat washer and t-nut) and 1 (G8) 5/16 x 2" Hex Bolt (with 2 flat washers and 1 lock nut) as shown in fig. 18.2.

B: See Swing Hanger Cover Installation below.

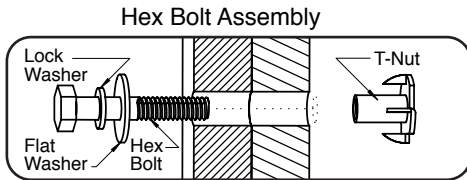


Fig. 18.2

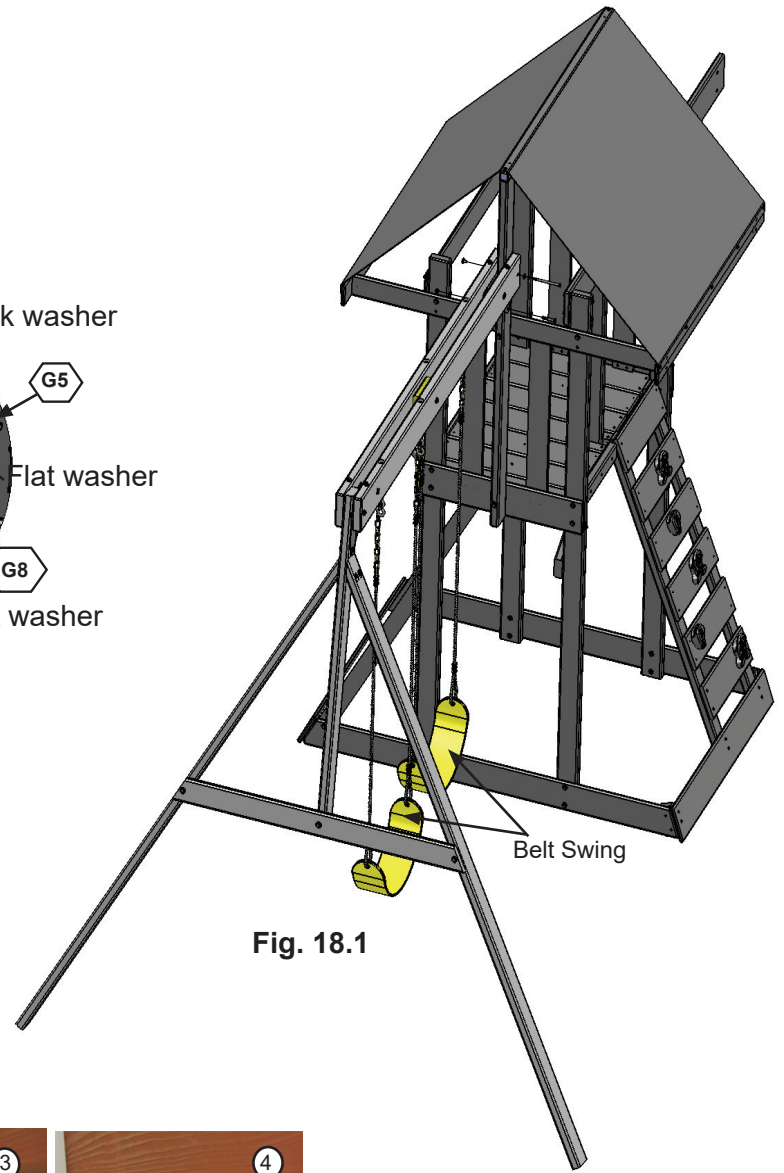
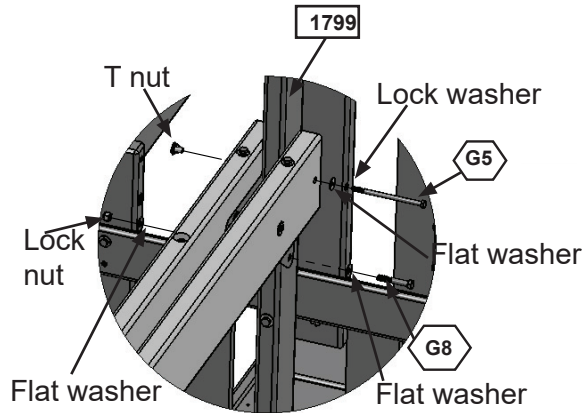
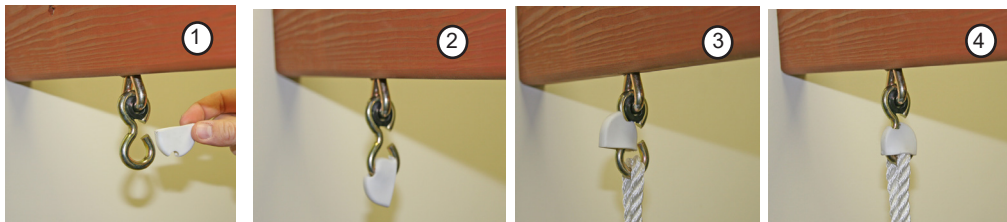


Fig. 18.1

Swing Hanger Cover Instructions:

1. Insert flexible Swing Hanger Cover over hook.
2. Slide Swing Hanger Cover around hook until at top.
3. Hook swing rope onto hook.
4. Twist and flex Swing Hanger Cover onto open end of hook.



Hardware

- 1 x G5 5/16 x 4-1/2" Hex Bolt
(5/16" lock washer, 5/16" flat washer, 5/16" t-nut)
- 1 x G8 5/16 x 2" Hex Bolt
(5/16" flat washer x 2, 5/16" lock nut)

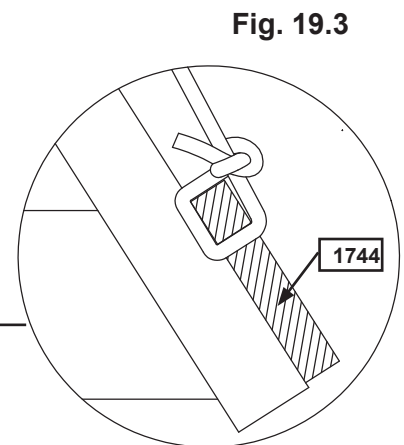
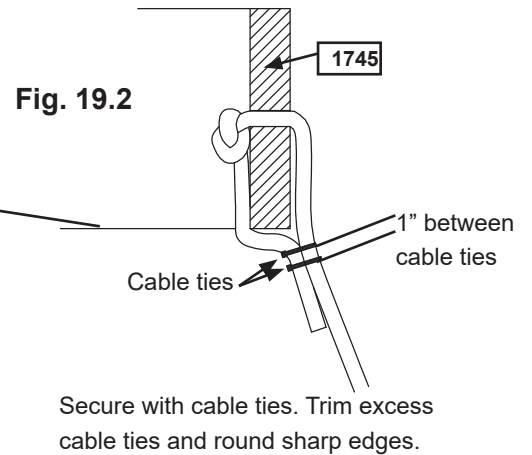
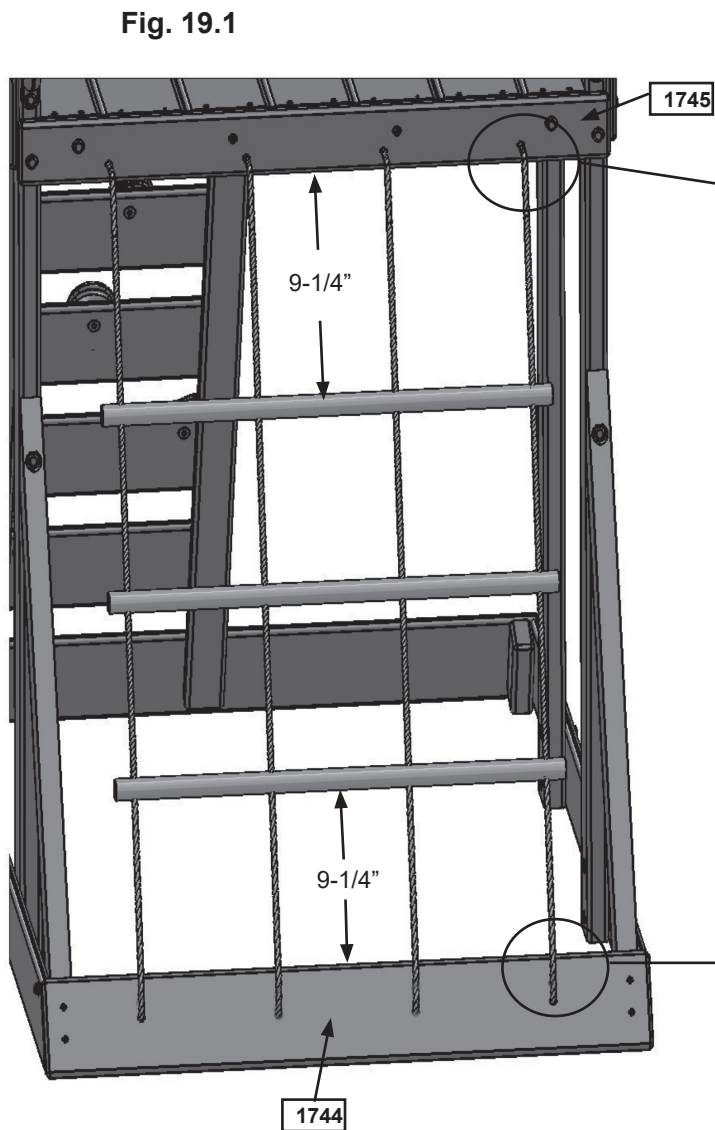
Other Parts

- 2 x Belt Swing
- 4 x Swing Hanger Covers

Step 19: Attach Rope Ladder

A: Attach Rope Ladder to (1745) Top Rope and (1744) Lower Back as shown in fig. 19.1. Make sure the top and bottom rungs have at least a 9-1/4" clearance. Tie each end of the rope as shown in fig. 19.2 & 19.3.

B: Secure the top knots with 2 Cable Ties per rope as shown in fig. 19.2. Be sure to trim the Cable Tie excess and round off any sharp edges.



Other Parts

- 1 x Rope Ladder
- 8 x Cable Ties

Step 20: Attach Slide and Acro Swing



Note: Pre-drill all holes using a 1/8" drill bit before installing the pan screws.

- A:** Place Slide in the centre between (1781) Corner Post and (1747) Centre Divider. (fig. 20.1)
- B:** Pre-drill 1/8" pilot holes and attach slide to fort through (1782) SL Spacer using 3 (S7) #12 x 2" Pan Screw. (fig. 20.2 & 20.3)
- C:** Attach Acro Swing to the end of (1788) Acro Top making sure the knot is tight and secure. The spacing between the Acro Swing and (1788) Acro Top should be no less than 10". (fig. 20.1 & 20.4)
- D:** Secure the Acro Swing ropes with 2 Cable Ties per rope. Be sure to trim the Cable Tie excess and round off any sharp edges. (fig. 20.4)

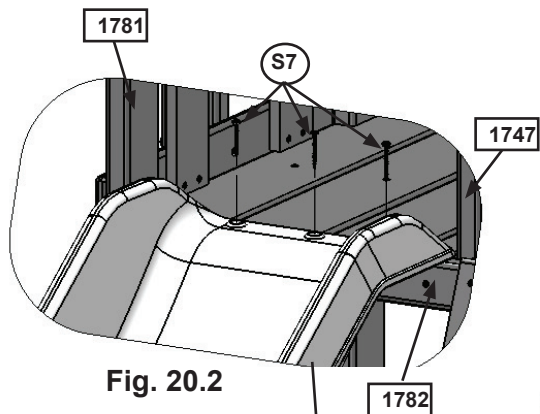


Fig. 20.2

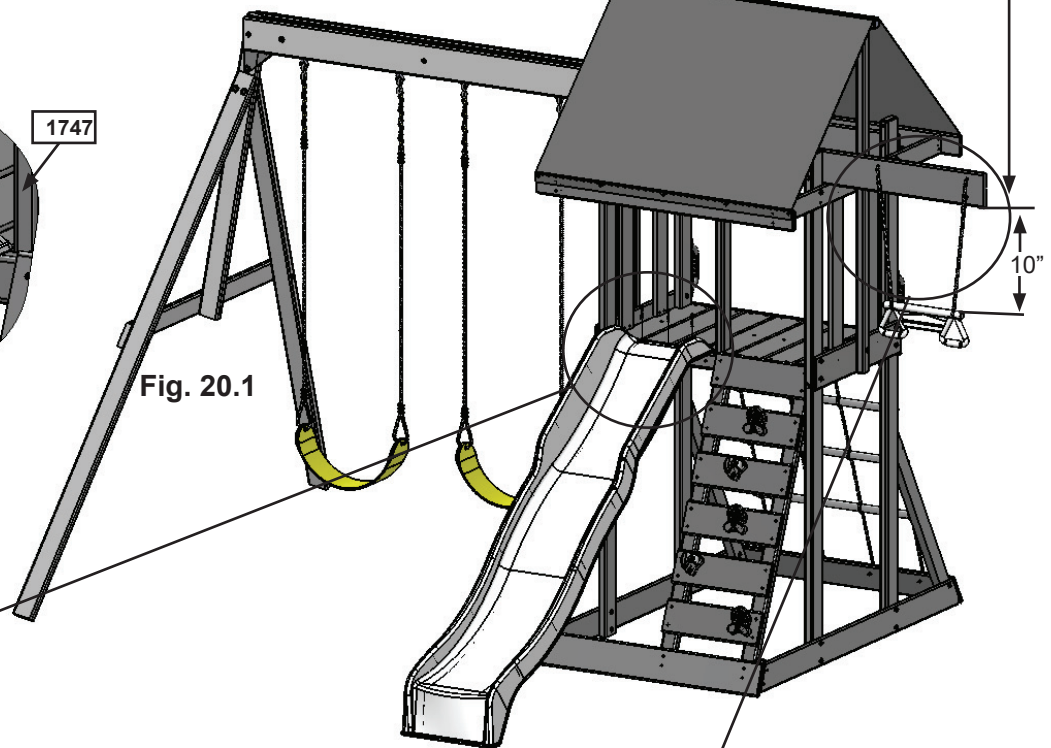


Fig. 20.1

Acro swing spacing should be no less than 10"

10"

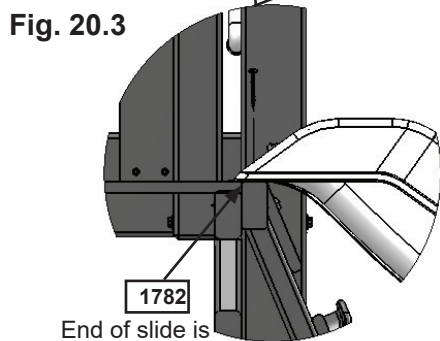


Fig. 20.3

End of slide is flush to 1782

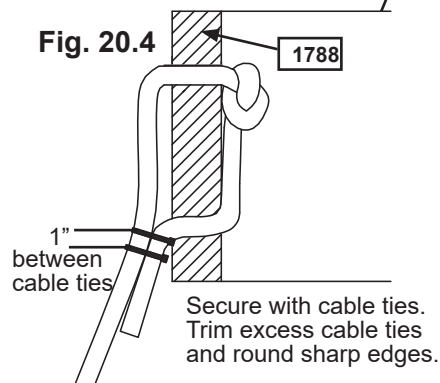


Fig. 20.4

1788

1" between cable ties

Secure with cable ties. Trim excess cable ties and round sharp edges.

Hardware

3 x (S7) #12 x 2" Pan Screw

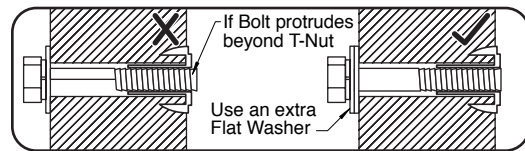
Other Parts

1 x Acro Swing
4 x Cable Ties
1 x Slide (sold separately)

Step 21: Attach Ground Stakes



Warning! Check entire play centre for bolts protruding beyond T-Nuts. Use extra washers to eliminate this condition.



A: Drive 1 (0318) Ground Stake 10-1/2" into the ground at each (4922) SW Post on the inside of the assembly and attach with 2 (S3) #8 x 2-1/2" Wood Screws per ground stake. (fig. 21.1 & 21.2)

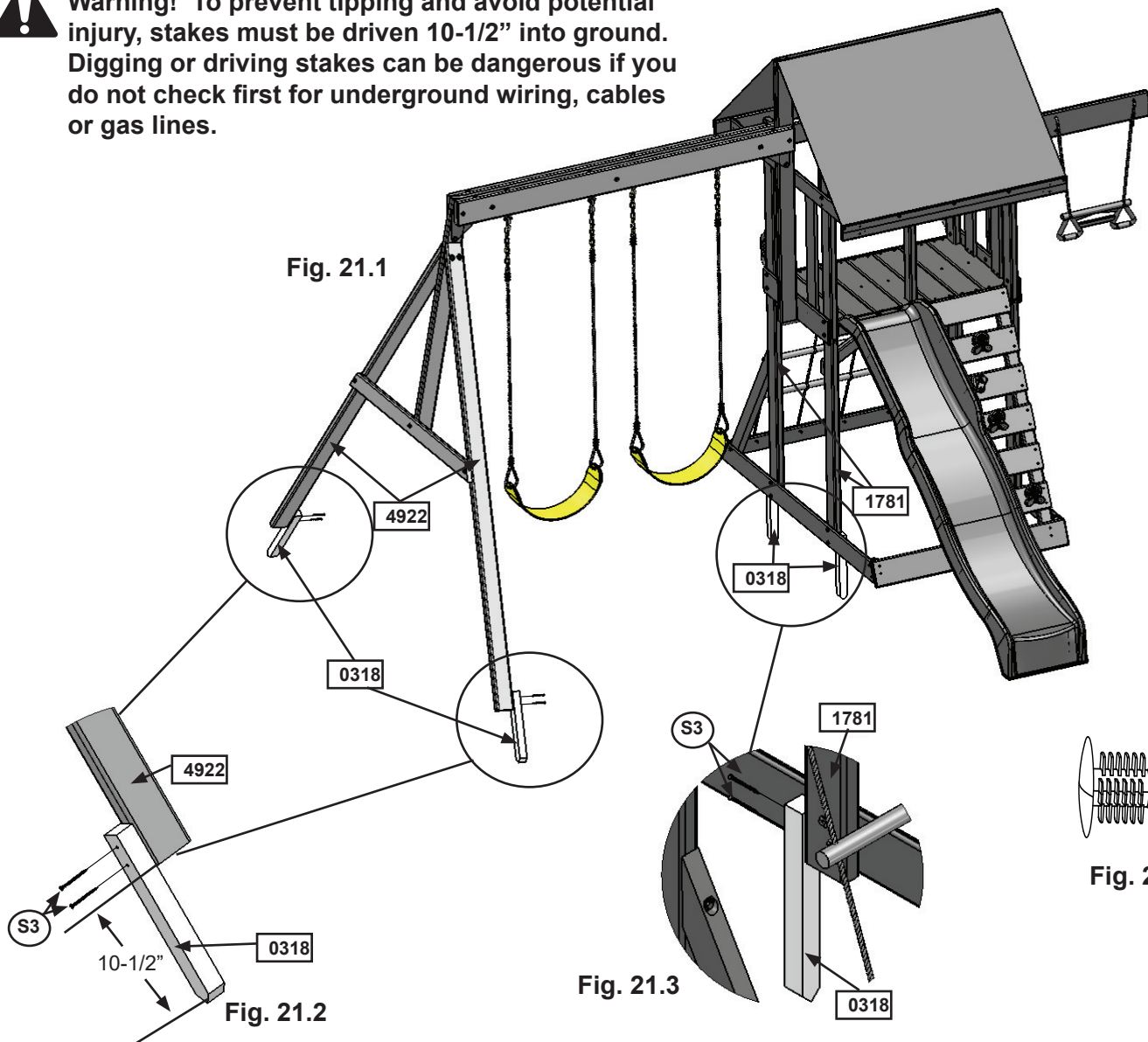
B: Drive 1 (0318) Ground Stake 10-1/2" into the ground beside the 2 (1781) Corner Posts shown in fig. 21.1, on the inside of the assembly and attach with 2 (S3) #8 x 2-1/2" Wood Screws per ground stake. (fig. 21.1 & 21.3)

C: Inspect for open 3/8" holes. Insert Hole Plugs into all unused holes. (fig. 21.4)



Warning! To prevent tipping and avoid potential injury, stakes must be driven 10-1/2" into ground. Digging or driving stakes can be dangerous if you do not check first for underground wiring, cables or gas lines.

Fig. 21.1



Wood Parts

4 x 0318 Ground Stakes 1-1/4 x 1-1/2 x 14"

Hardware

8 x S3 #8 x 2-1/2" Wood Screw

Other Parts

4 x Hole Plugs

Final Step: Attach I.D. Plaque

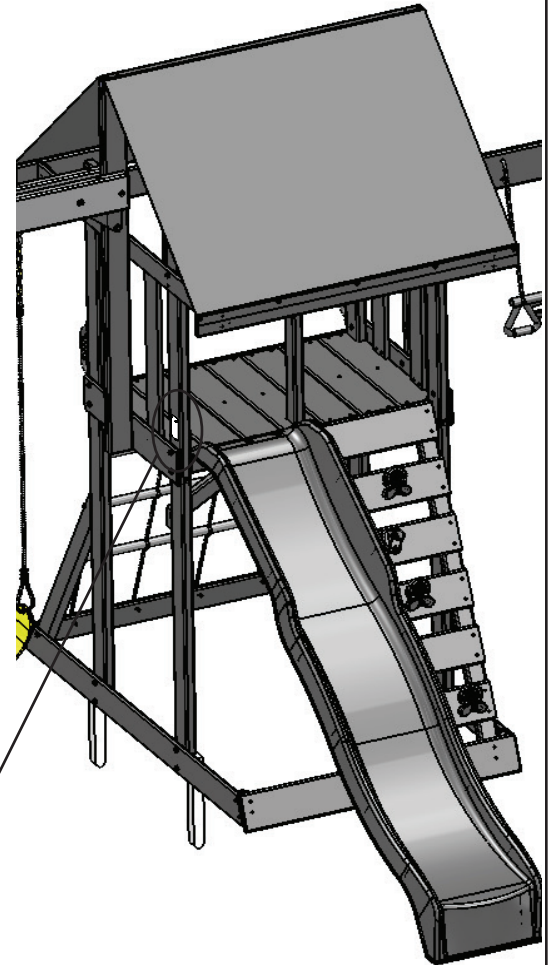
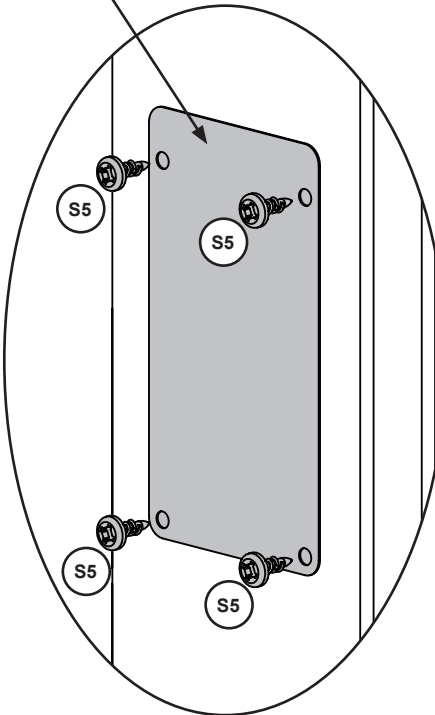
ATTACH THIS WARNING & I.D. PLAQUE TO THIS LOCATION ON YOUR PLAY EQUIPMENT!

This provides warnings concerning safety and important contact information. A Tracking Number is provided to allow you to get critical information or order replacement parts for this specific model.



A: Attach KK Playset Plaque to a location on your set that is easily seen and read by a supervising adult using 4 (S5) #8 x 1/2" Pan Screw as shown below.

KK Playset Plaque



Hardware

4 x **S5** #8 x 1/2" Pan Screw

Other Parts

1 x KK Playset Plaque

3 EASY WAYS TO REGISTER YOUR PRODUCT 24/7

- 1) Scan this QR Code with your smart phone to complete your product registration directly from your phone:
- 2) Complete the registration online at: https://www.kidkraft.com/us_en/warranty/
- 3) Mail this completed form to: KidKraft Inc., 4630 Olin Road, Dallas, Tx 75244 USA
Make sure to include a copy of your proof of purchase



KIDKRAFT Consumer Registration Card

First Name Initial Last Name

Street Apt. No.

City State/Province ZIP/Postal Code

Country Telephone Number

E-Mail Address

Model Number Model Name

Model Number & Name example
F24145 AINSLEY PLAY SYSTEM

Purchased From Date Purchase

MM / DD / YY

Serial Number (on ID Plaque)



ID Plaque example

| | | |
|-------------------------|-------------------------|-------------------------------------|
| Box #: _____ 1 of _____ | Box #: _____ 4 of _____ | Box # (Ex: B29410 1of 6) |
| Box #: _____ 2 of _____ | Box #: _____ 5 of _____ | |
| Box #: _____ 3 of _____ | Box #: _____ 6 of _____ | |

For common questions or for information on ordering replacement parts:

Help Center: <https://kidkraft.zendesk.com/hc/en-us/>

