

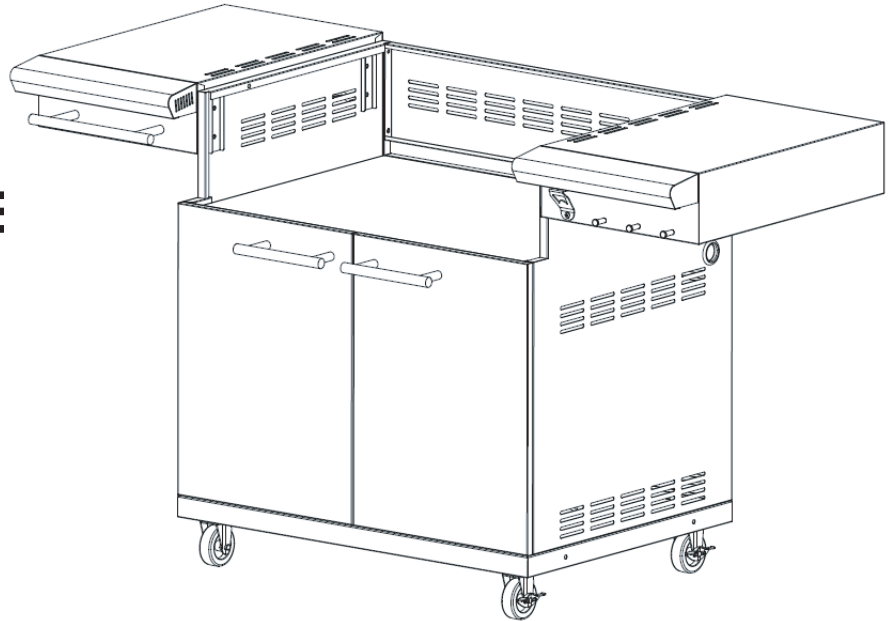
XO PERFORMANCE GRILL CART ASSEMBLY INSTRUCTIONS

XO PERFORMANCE GRILL CARTS

MODELS:

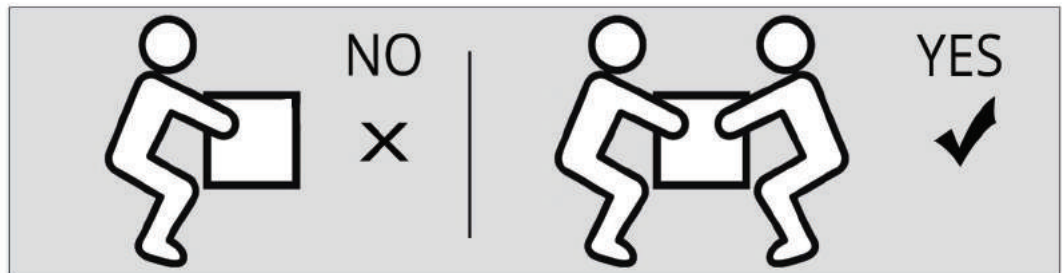
XOG32CARTXLT2

XOG40CARTXLT2



Warning: Heavy Weight Hazard!

Use two or more people to move, assemble, or install the grill to avoid back injury. Never leave children unattended near the grill or cabinets.



ATTENTION:

Need help or spare parts? For fastest service, contact XO at (973) 403-8900 or www.xoappliance.com Do not return to the retailer.

THIS INSTRUCTION MANUAL CONTAINS IMPORTANT INFORMATION NECESSARY FOR THE PROPER ASSEMBLY AND SAFE USE OF THE APPLIANCE. PLEASE READ AND FOLLOW ALL WARNINGS AND INSTRUCTIONS THAT ACCOMPANY BOTH THIS CART AND THE GRILL BEFORE ASSEMBLING AND USING THE APPLIANCE. THIS PRODUCT IS DESIGNED FOR OUTDOOR USE ONLY. DO NOT OPERATE IN ANY ENCLOSED SPACE.

FAILURE TO FOLLOW ALL SAFETY INSTRUCTIONS MAY RESULT IN **PROPERTY DAMAGE, INJURY OR DEATH.**



When buying any XO appliance, you can be confident you have chosen a high quality, innovative and stylish product from a company that cares about you!

If you require service or have questions, there are 2 ways to contact our appliance experts;

Online @ <https://xoappliance.com/priority-service-for-your-xo-product/>

Or by phone 973-403-8900



CONGRATULATIONS

on purchasing your XO.
Before you proceed, take just a moment to register your XO at:

www.xoappliance.com/register-your-product/

Or simply scan here to be taken to the registration page...



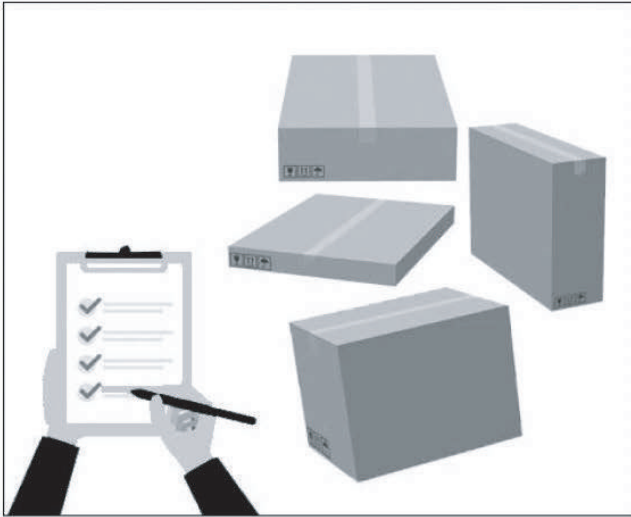
REGISTRATION HELPS YOU BY -

Ensuring warranty coverage should you need service
Providing ownership verification for insurance purposes
XO can notify you in the event of product changes or recalls.

Unpacking

- Begin by placing the package on a covered flat surface.
- Remove all cardboard, foam packaging material and nylon bags.
- Use the flattened cardboard as an assembly surface, then dispose / recycle all packaging materials afterward.
- Verify all the contents in the box and gather the required tools. See “Tools Needed” below.

Product Inspection



- Check to see all parts are received as per the order placed.
- Contact XO Appliance at www.xoappliance.com or (973) 403-8900 regarding any missing parts.
- Inspect the products for any damages before starting the installation.
- Go through the installation instructions carefully before starting the installation.

VISIBLE LOSS OR DAMAGE

Be certain any visible damage to the carton is noted on freight bill or express receipt and signed by the person making delivery.

FILE CLAIM FOR DAMAGES IMMEDIATELY, regardless of extent of damage.

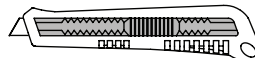
CONCEALED LOSS OR DAMAGE

If damage is unnoticed until the grill is unpacked, notify the transportation company or carrier immediately and file a “concealed damage” claim with them. This should be done within (5) days of the date delivery is made to you. Be sure to hold on to the container for inspection. We cannot assume responsibility for damage or loss incurred in transit.

Tools Needed

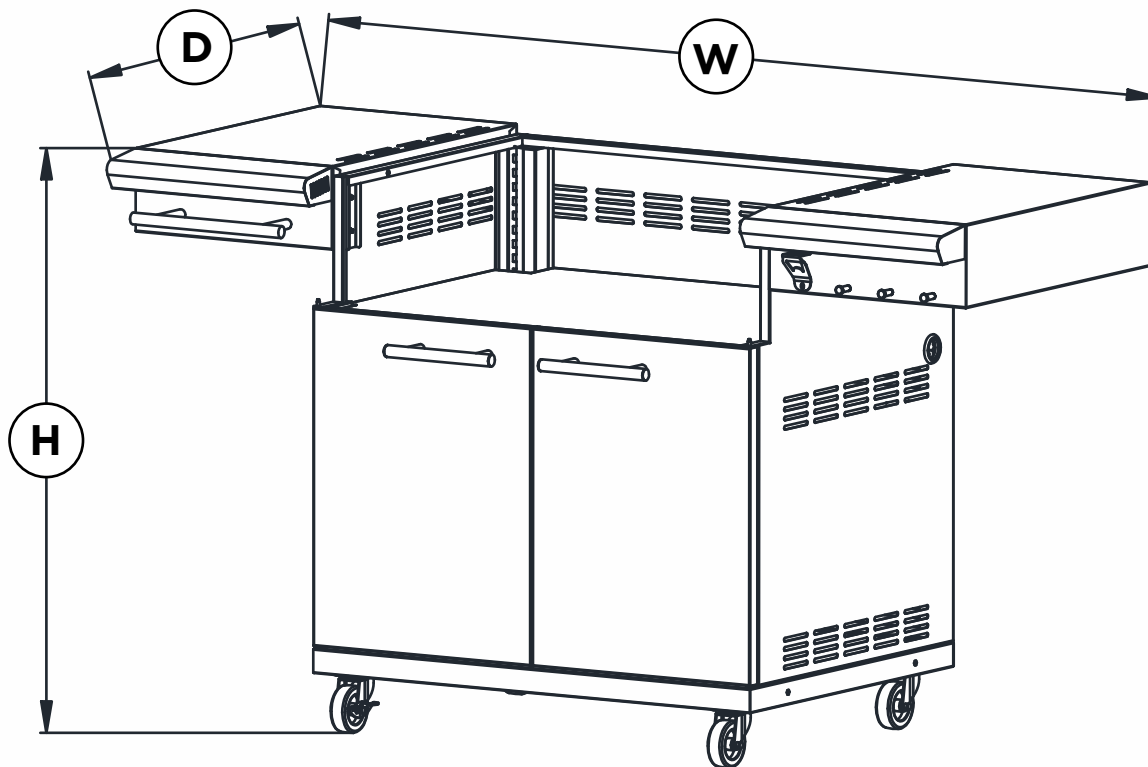


**1 x #2 Phillips head
screwdriver**



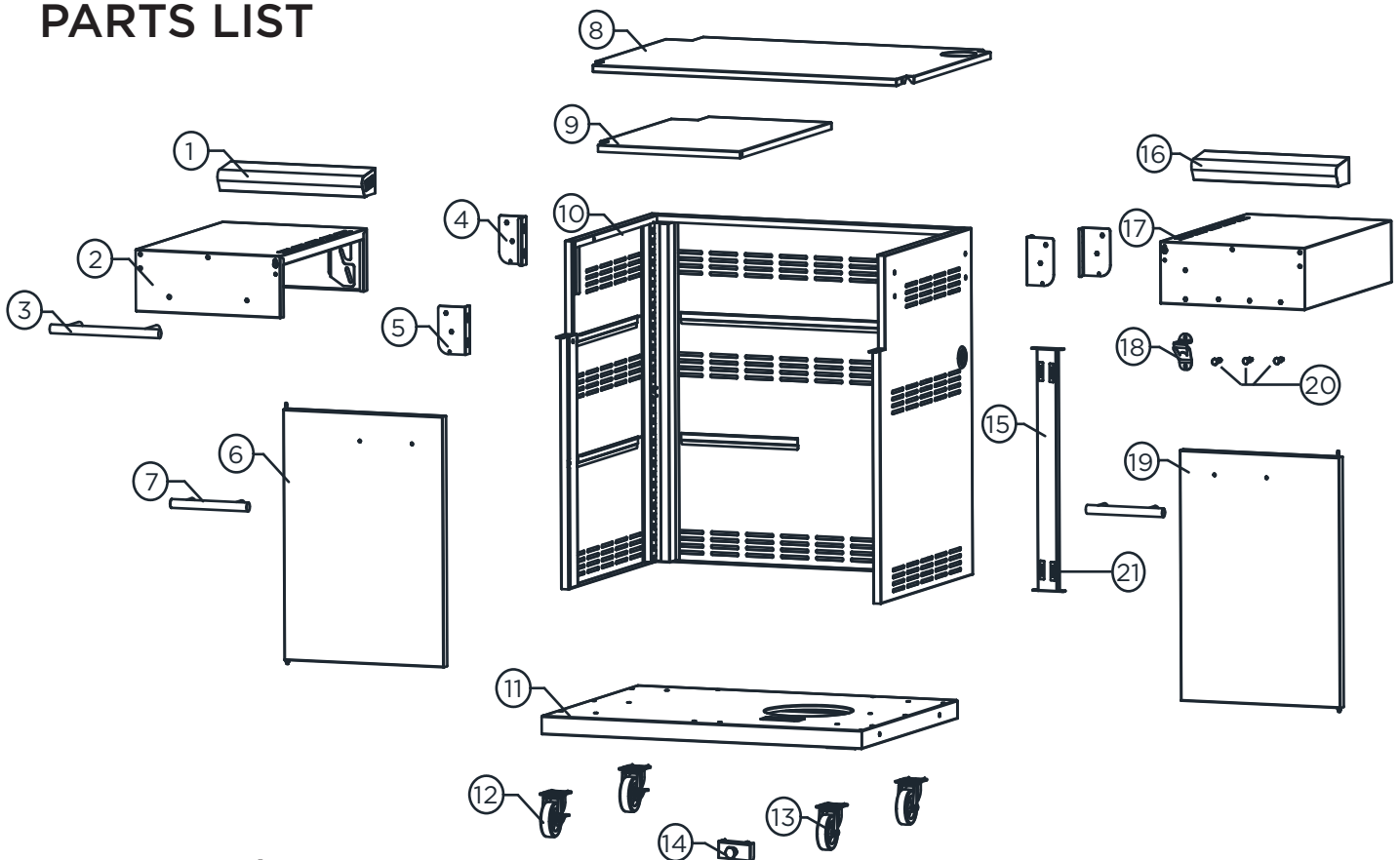
1 x Box Cutter

OVERALL DIMENSIONS



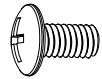
MODEL	W	D	H
XOG32CARTXLT2	61-3/4"	26-5/8"	35-9/16"
XOG40CARTXLT2	69"	26-5/8"	35-9/16"

PARTS LIST



NO.	Part Number XOG32CARTXLT2	XOG40CARTXLT2	QTY	DESCRIPTION
1.	XOPG505	XOPG505	1	Left Side Shelf Bullnose
2.	XOPG506	XOPG506	1	Left Side Shelf
3.	XOPG507	XOPG507	1	Towel Bar Handle
4.	XOPG503	XOPG503	2	Side Shelf Bracket (left)
5.	XOPG504	XOPG504	2	Side Shelf Bracket (right)
6.	XOPG540	XOPG547	1	Left Door
7.	XOPG510	XOPG510	2	Door Handle
8.	XOPG541	XOPG548	1	Top Panel
9.	XOPG542	XOPG549	1	Center Shelf
10.	XOPG543	XOPG550	1	Cart Side/Back Wall
11.	XOPG544	XOPG551	1	Bottom Panel
12.	XOPG518	XOPG518	2	Locking Caster
13.	XOPG516	XOPG516	2	Swivel Caster
14.	XOPG517	XOPG517	1	LP Tank Lock
15.	XOPG545	XOPG545	1	Front Panel Support
16.	XOPG519	XOPG519	1	Right Side Shelf Bullnose
17.	XOPG520	XOPG520	1	Right Side Shelf
18.	XOPG521	XOPG521	1	Bottle Opener
19.	XOPG546	XOPG552	1	Right Door
20.	XOPG531	XOPG531	3	Cart Hook
21.	XOPG535	XOPG535	4	Magnet Latch

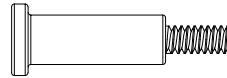
HARDWARE INCLUDED



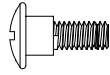
M6x12 Bolt (16PCS)



M5x10 Bolt (39PCS)



G Peg (3PCS)



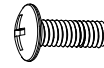
M5x15 Shoulder Bolt (8PCS)



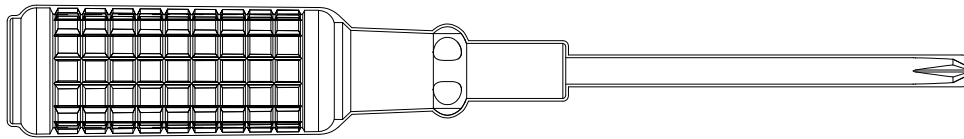
M4x12 Bolt (4PCS)



M4 Nut (4PCS)



M5x25 Bolt (2PCS)

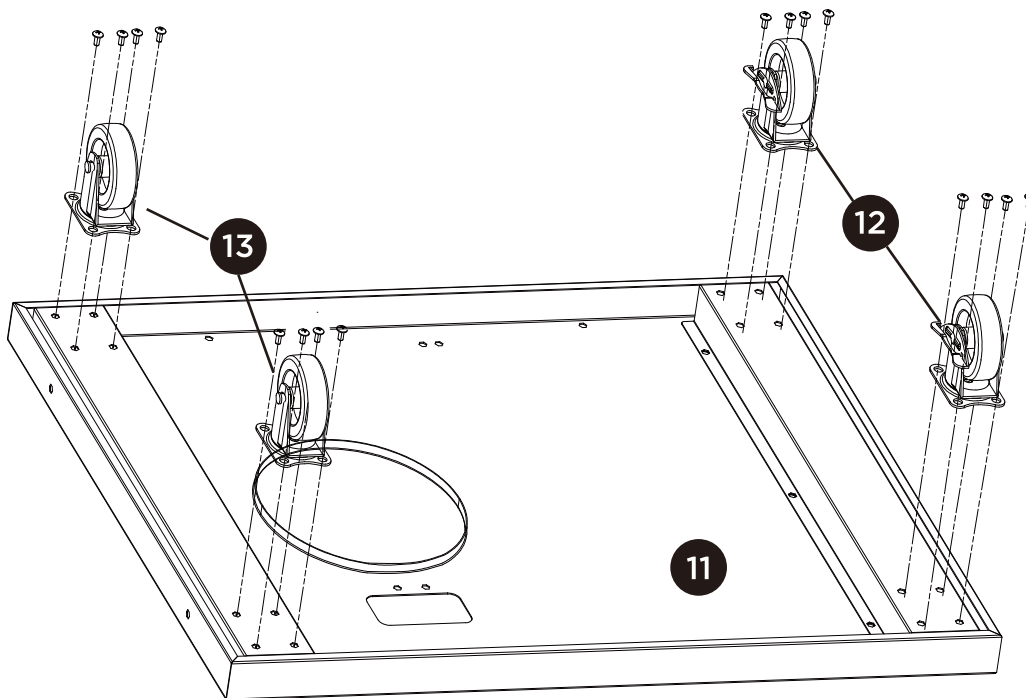


Screwdriver (1PC)

ASSEMBLY:

Step 1.

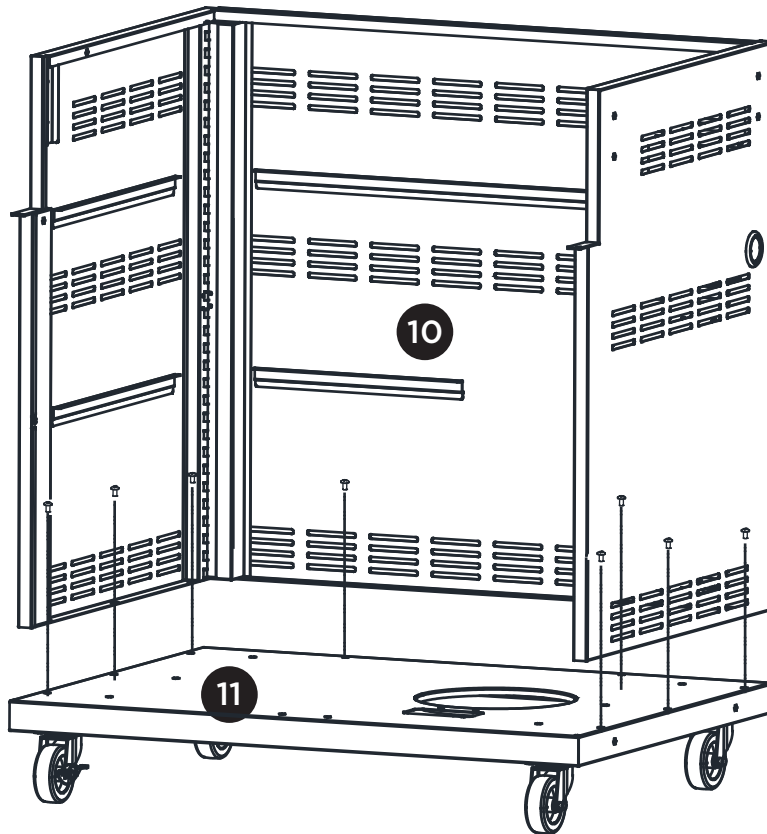
Use cardboard from the packaging as a working surface to help prevent scratching. Place the **BOTTOM PANEL 11** face down on the cardboard and attach the **(2) LOCKING CASTERS 12** and **(2) SWIVEL CASTERS 13** to the **BOTTOM PANEL** using the **(16) M6x12 bolts**. Both **LOCKING CASTERS** go on the side away from the LP Tank opening in the bottom.



ASSEMBLY:

Step 2.

Lock the two locking casters and turn the **BOTTOM ASSEMBLY 11** over right side up. Position it as shown below with the round LP Tank cutout on your left.



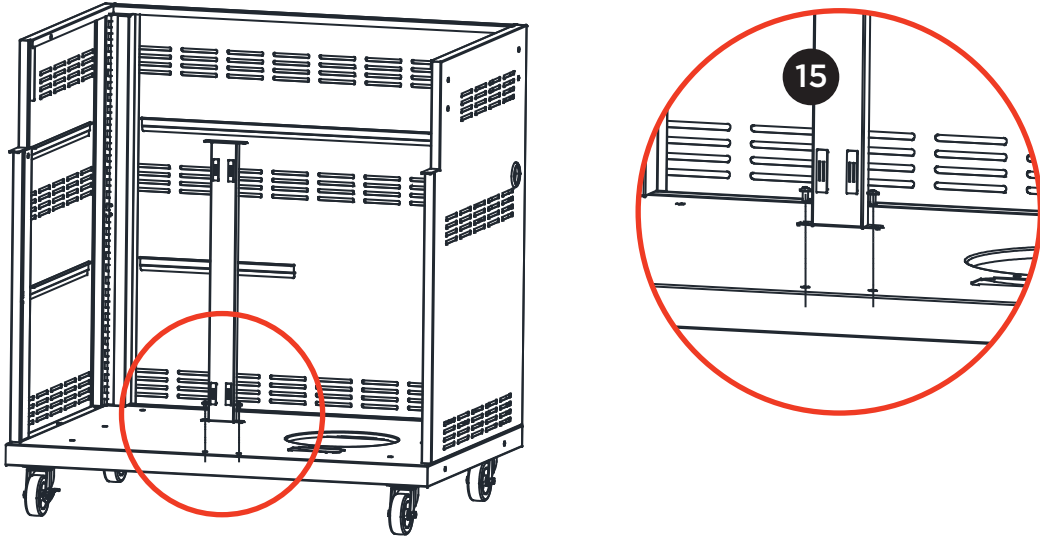
Unfold the hinged sidewalls of the **CART SIDE/BACK WALL 10** and place it as shown above on the bottom assembly.

Fasten the flange of the cart side/back wall to the bottom assembly using **(8) M5x10 bolts**.

ASSEMBLY:

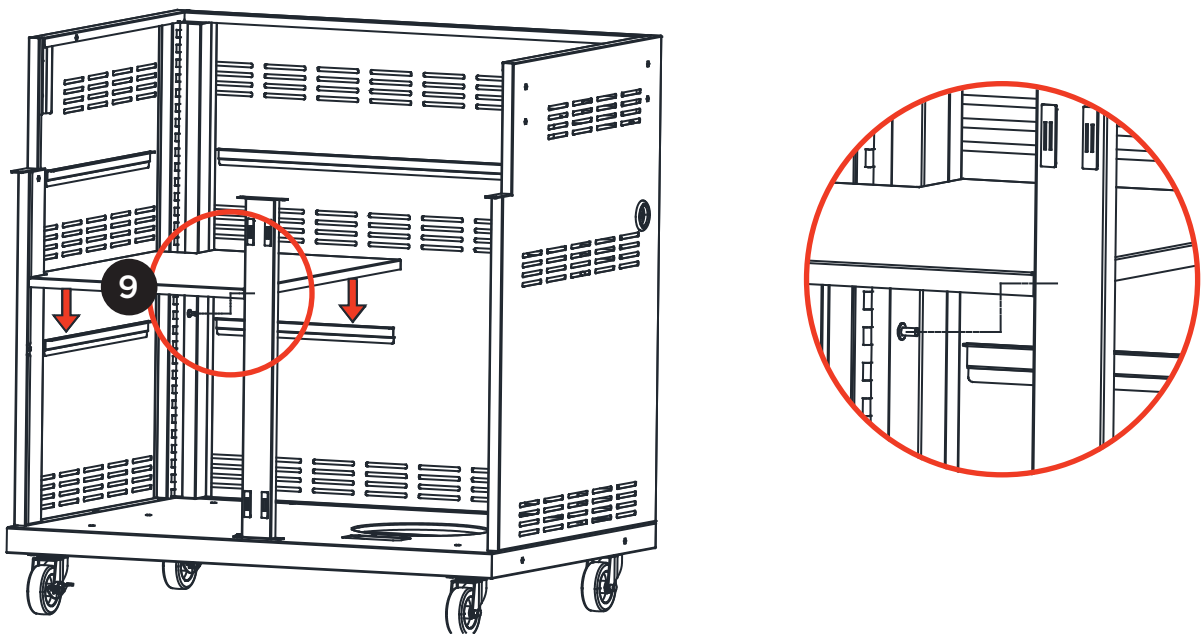
Step 3.

Using (2) M5x10 bolts install the **FRONT PANEL SUPPORT 15** in the front of the bottom assembly as shown. The magnetic latches must be facing out.



Step 4.

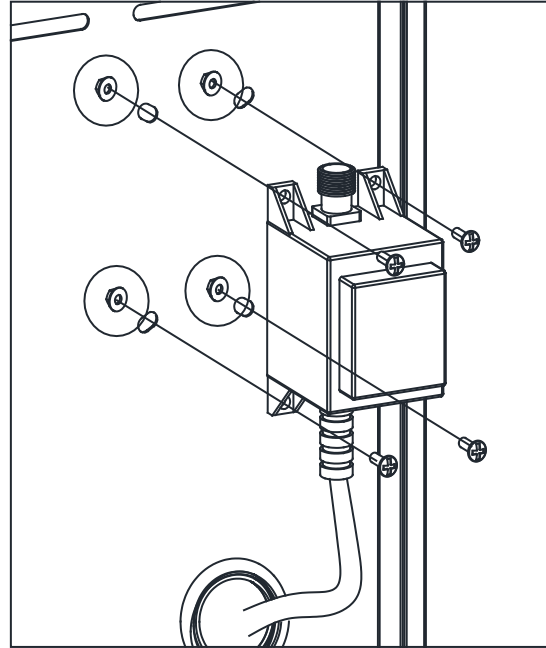
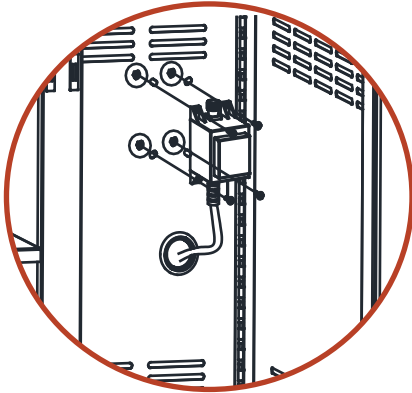
Install the **CENTER SHELF 9** by inserting the left and rear edges into the supports on the side and back panel and the bolting the right front corner to the front panel support as shown with (1) M5x10.



ASSEMBLY:

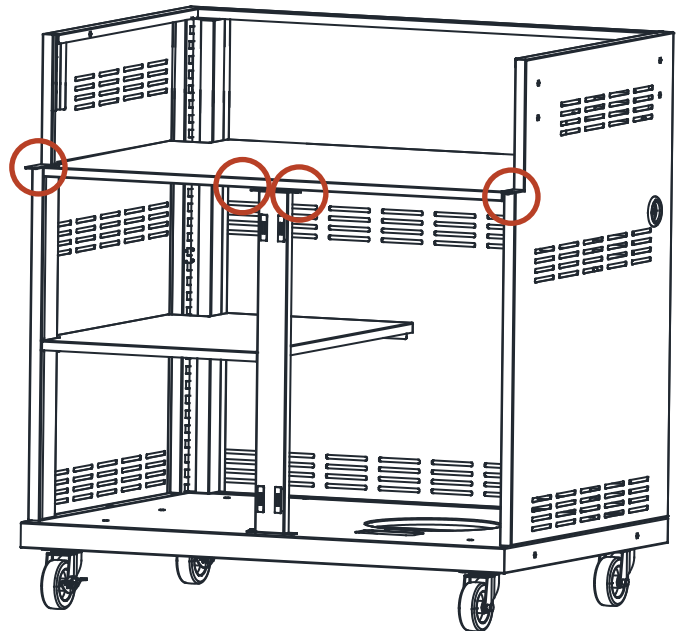
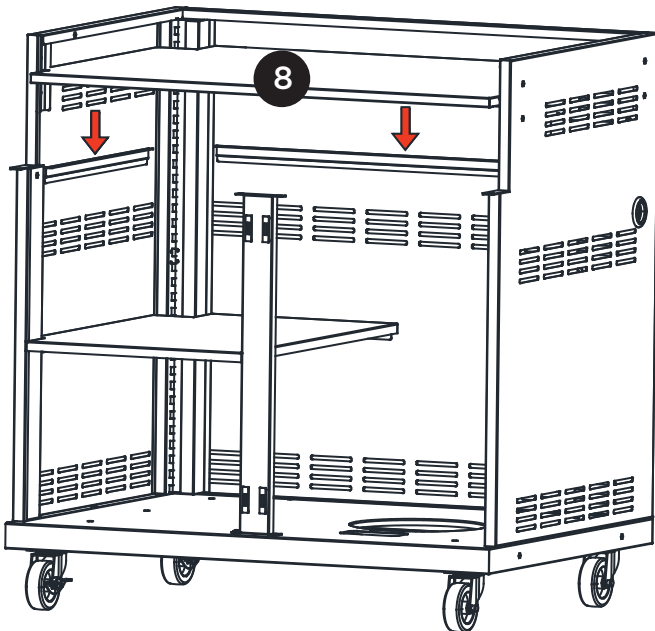
Step 5.

Using **(4) M4x12 bolts** and **(4) M4 nuts** install the TRANSFORMER supplied with your grill to the interior rear right hand side of the back wall.



Step 6.

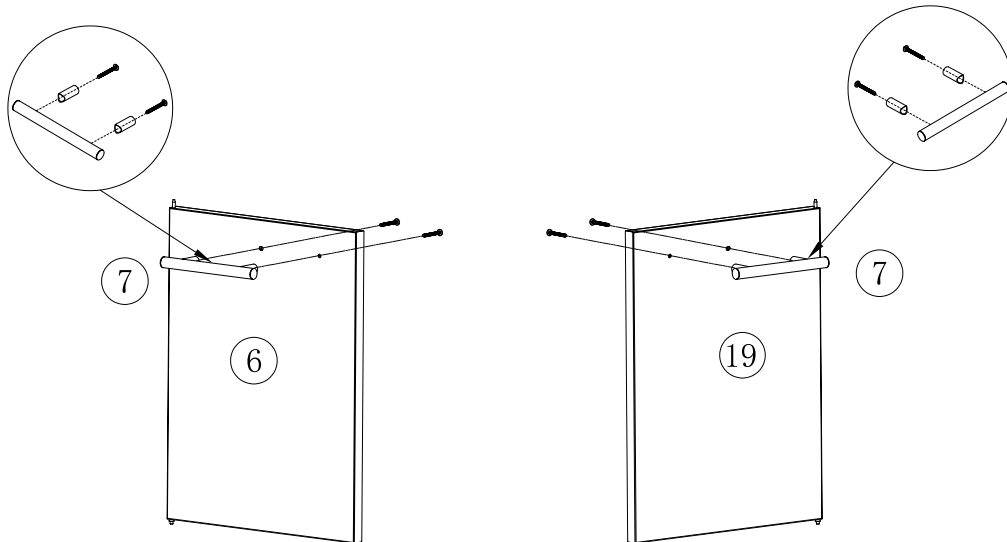
Install the **TOP PANEL 8** by inserting the side and rear edges into the supports and then bolting it using **(4) M5x10 bolts** at the center and left and right corners circled in red.



ASSEMBLY:

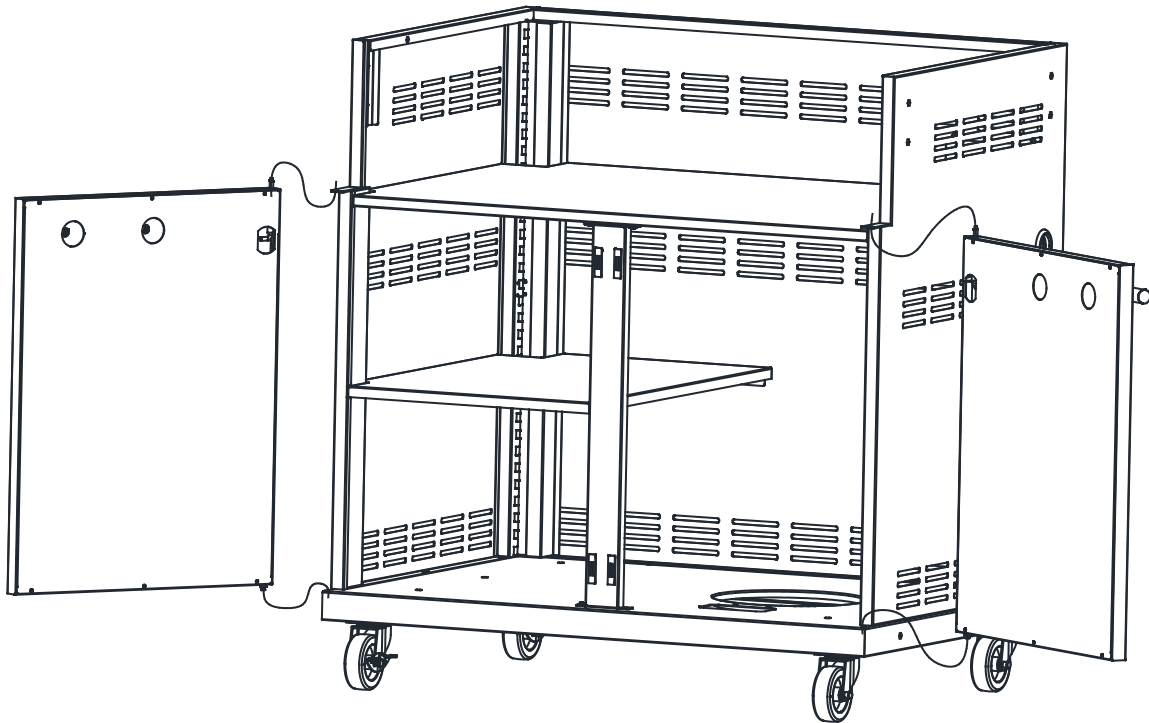
Step 7.

Using the screws supplied with the handles, attach (1) **DOOR HANDLE 7** to both the **RIGHT 19** and **LEFT DOOR 6**.



Step 8.

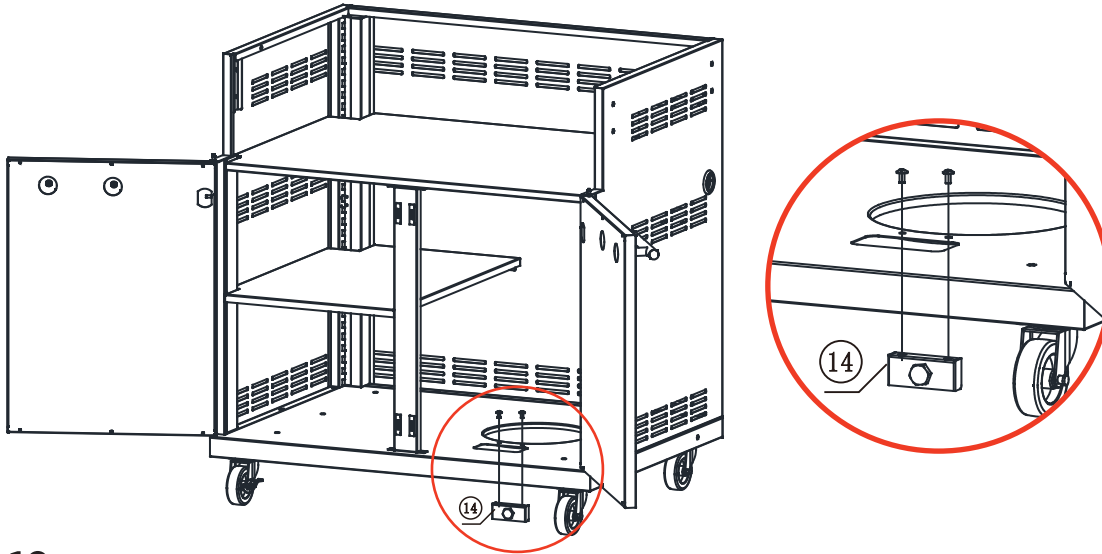
Mount both doors by inserting its lower hinge pin in the hole located in bottom assembly - pull down the upper hinge pin in each door which is held in place by a spring - align it with the upper hinge plate and release.



ASSEMBLY:

Step 9.

Using (2) M5x10 bolts, hold the LP TANK LOCK 14 in place from below the bottom assembly and secure in place as shown.

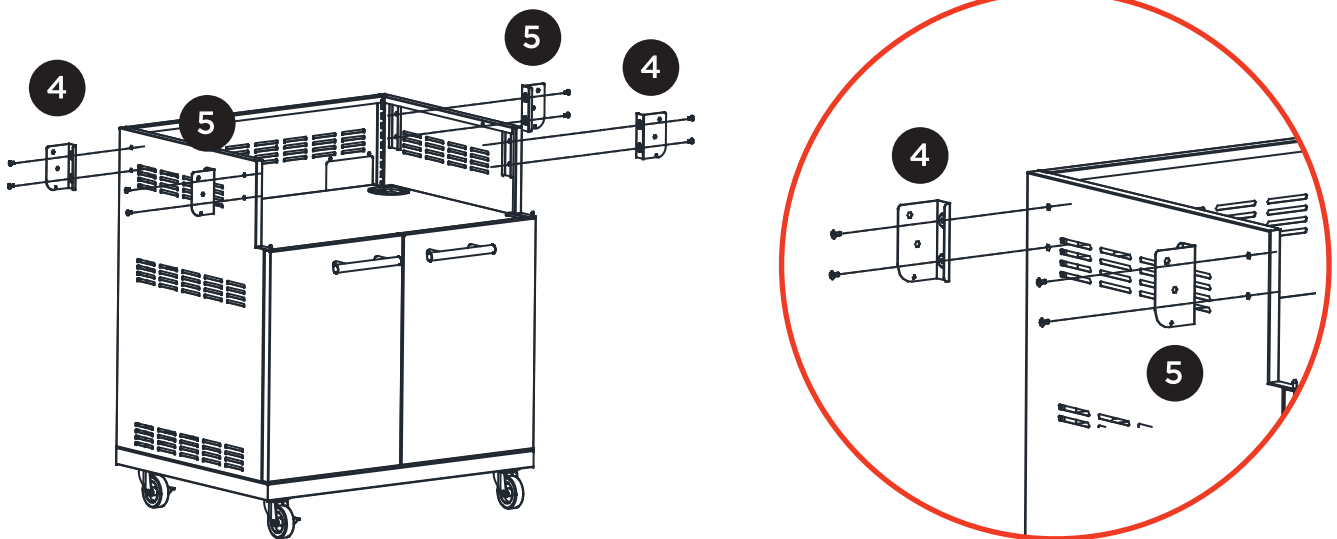


Step 10.

Attach the (4) SIDE SHELF BRACKETS 4 5 with (8) M5x10 bolts.

IMPORTANT NOTE: There are two pair each consisting of (1) Right Hand and (1) Left hand bracket. They are mirror images of each other.

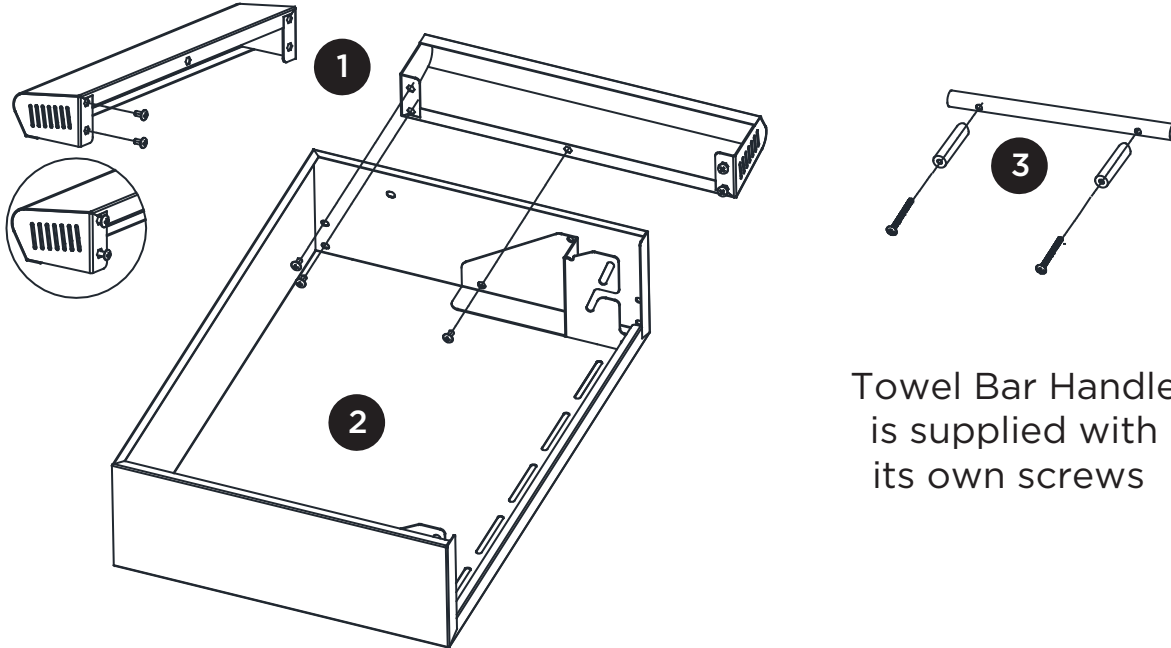
Mount them as shown with the larger rounded corner pointing down.



ASSEMBLY:

Step 11.

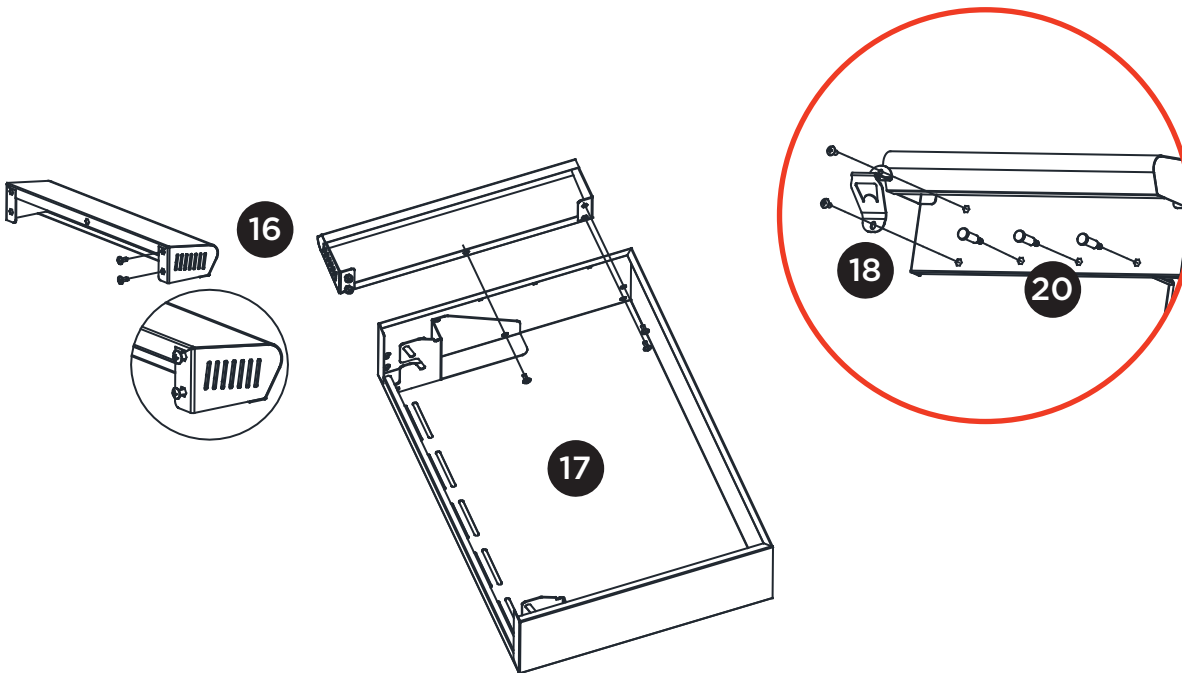
Assemble the **LEFT SIDE SHELF 2** **LEFT SIDE SHELF BULLNOSE 1** and **TOWEL BAR HANDLE 3** using M5x10 bolts.



Towel Bar Handle is supplied with its own screws

Step 12.

Assemble the **RIGHT SIDE SHELF 17** **RIGHT SIDE SHELF BULLNOSE 16** **BOTTLE OPENER 18** with M5x10 bolts and (3) **Cart Hooks 20**.



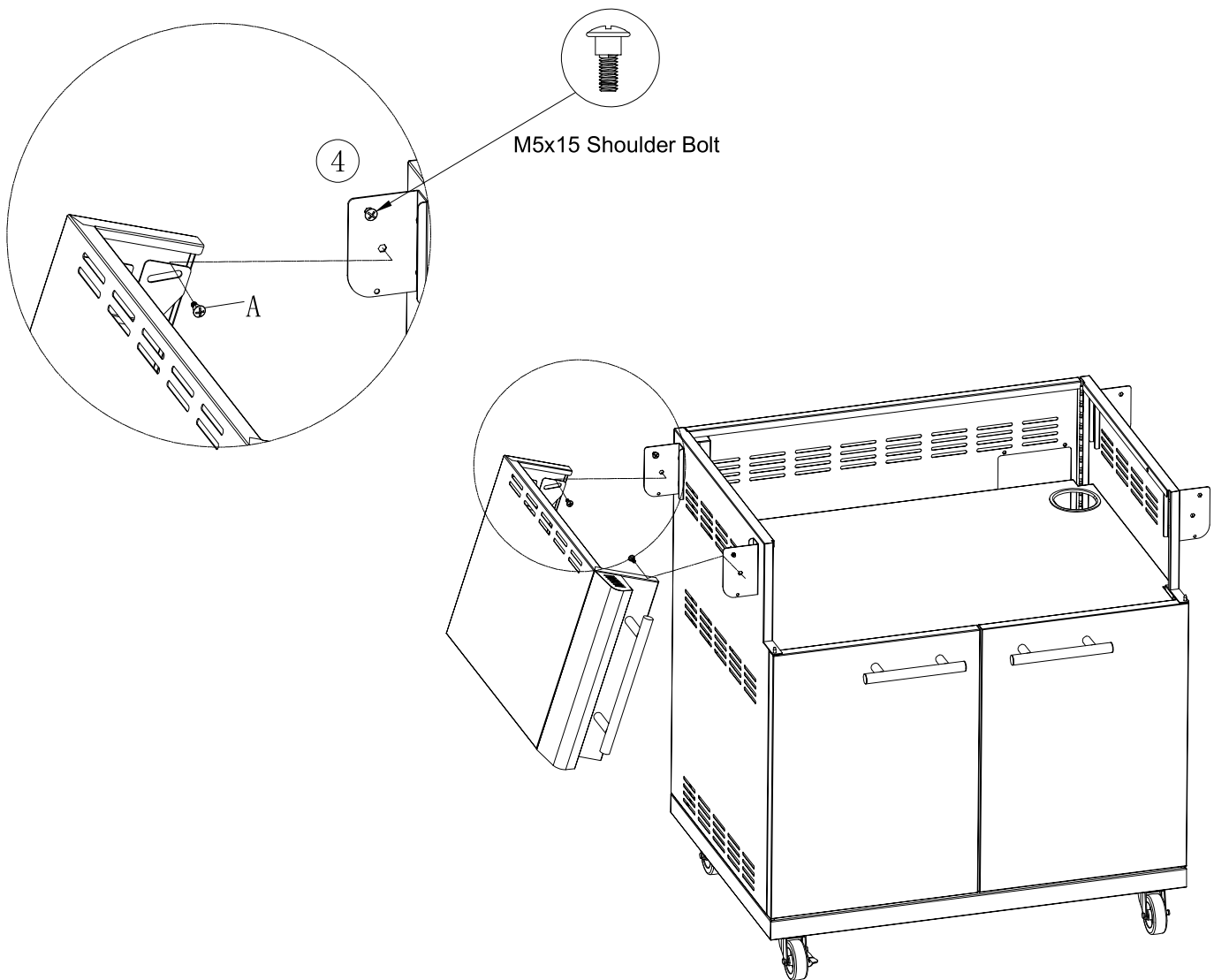
ASSEMBLY:

Step 13.

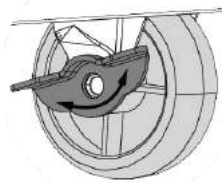
The two **SIDE SHELF ASSEMBLIES** mount by lifting them up so the brackets on the inside of the shelves are between the brackets mounted on the cart.

Align the slot on the shelf bracket with the middle threaded hole in the cart brackets and install one of the **SHOULDER BOLTS M5x15** on each side so that it goes through the slot and screws into the cart bracket.

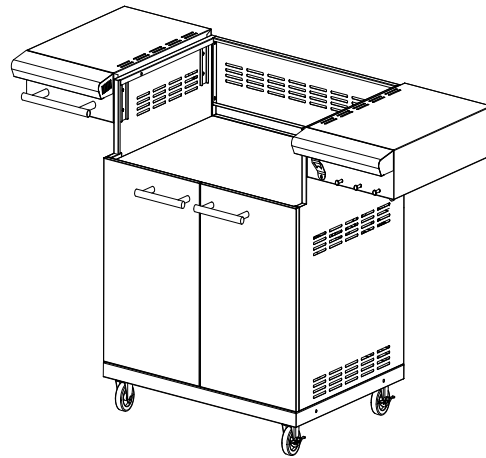
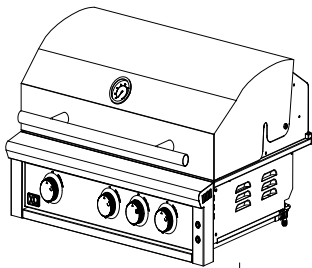
Repeat for both shelves / all four brackets.



BEFORE MOUNTING THE GRILL TO THE CART - LOCK THE CASTERS TO PREVENT ACCIDENTAL MOVEMENT.



WARNING: DO NOT ATTEMPT TO LIFT AND PLACE THE GRILL ALONE

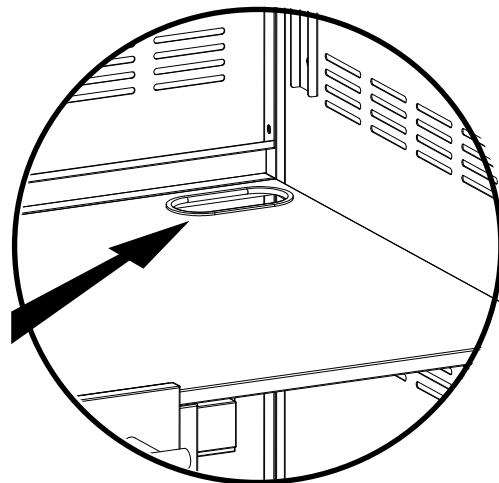


**TEAM
LIFT**

OPEN THE GRILL AND REMOVE THE GRATES TO REDUCE ITS WEIGHT. AFTER ENSURING THE CART HAS BEEN IMMOBILIZED, PROCEED TO STEP 14.

When placing the grill head, leave the access port in the TOP PANEL (right rear) exposed initially to facilitate the connection of the utilities.

READ ALL PRECAUTIONS IN YOUR GRILL MANUAL REGARDING GAS AND ELECTRICAL HOOK UP.



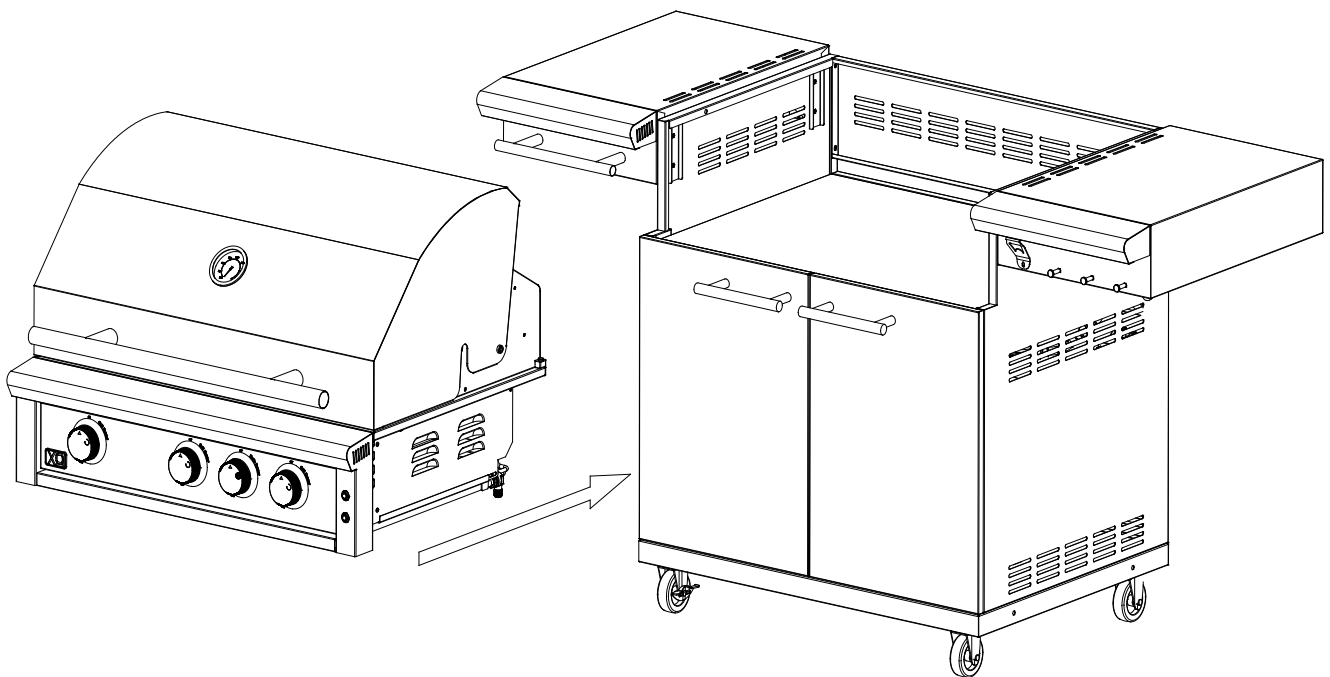
ASSEMBLY:

Step 14.

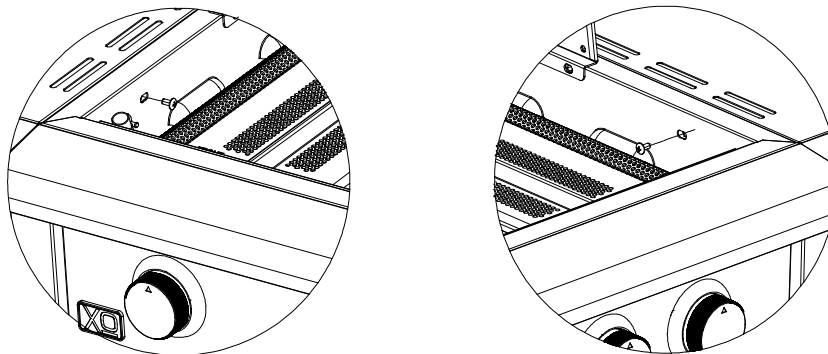
Slide the **GRILL HEAD** into the completed cart. The flange of the grill head is designed to rest on top of the **CART SIDE/BACK WALL**.

Leave the 3 or 4 inches behind the grill to connect the transformer leads for the Control LED lights and internal Halogen lamps as well as supply line to your LP Gas Regulator. These items are supplied with your grill.

Remember to leak test your gas line (see your grill manual for details).



After the grill head is pushed all the way in, use **(2) M5x10 bolts** to secure it in place in each corner as shown below.



IMPORTANT

**REFER TO YOUR GRILL OPERATING MANUAL
FOR INFORMATION REGARDING THE GAS
CONNECTION TO YOUR GRILL.
FAILURE TO FOLLOW ALL SAFETY GUIDELINES
MAY RESULT IN PROPERTY DAMAGE, INJURY OR DEATH.**

**XO APPLIANCE | 24 EISENHOWER PARKWAY | ROSELAND, NJ 07068
P. 973.403.8900 WWW.XOAPPLIANCE.COM**