

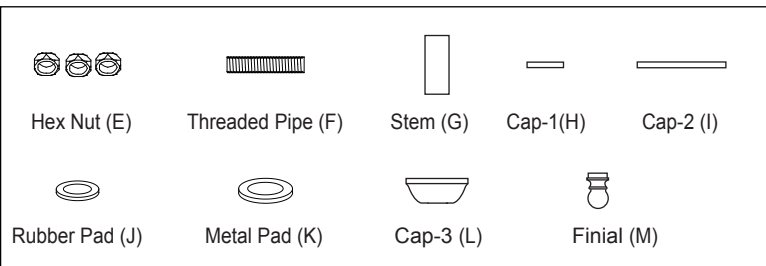
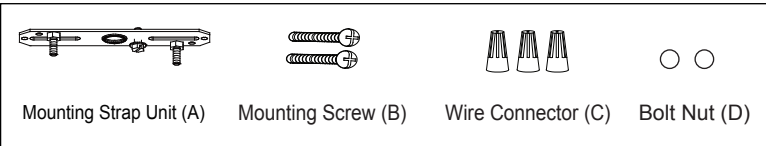
ASSEMBLY AND INSTALLATION INSTRUCTIONS

CF65353BN / CF65353OBB

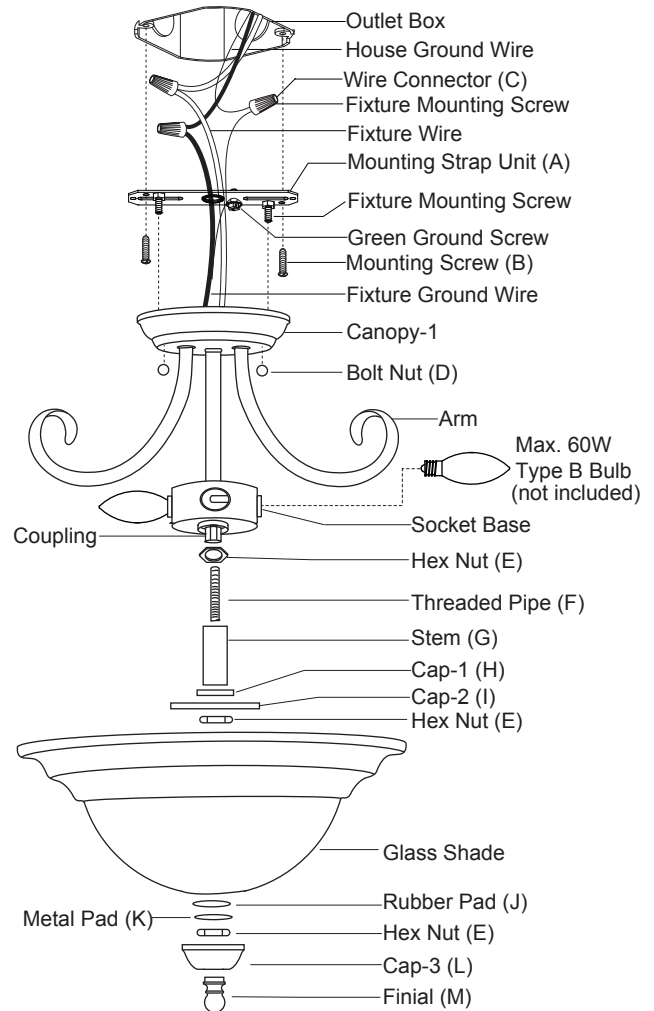
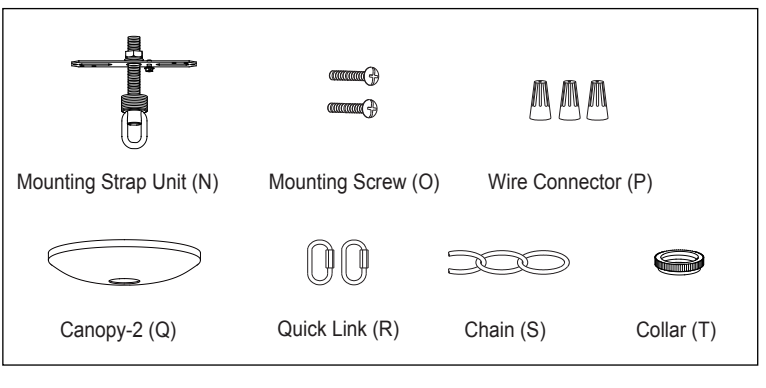
WARNING: TO AVOID RISK OF ELECTRICAL SHOCK, BE SURE TO SHUT OFF POWER WHILE INSTALLING OR SERVICING THIS FIXTURE.

NOTES: 1. Before installing, consult local electrical codes for wiring and grounding requirements.
2. READ AND SAVE THIS INSTRUCTION.

Hardware Package for Semi-Flush (included):



Hardware Package for Pendant (included):



Installation Steps

Turn off the power at fuse or circuit box.

For Semi-Flush

- Attach the mounting strap unit (A) to the outlet box by using two mounting screws (B).
- Adjust the arms of the fixture according to the drawing of the package.
Important to know:
 - The distance between the arms should be equally distanced.
 - The arms should be fixed securely.
- Cut the redundant wires if necessary, and make wire connections with wire connectors (C) :
 - Connect the smooth wire (marked) from fixture to the black wire from power source.
 - Connect the ridged wire(unmarked) from fixture to the white wire from power source.
 - Attach the fixture ground wire to the mounting strap unit (A) with the green ground screw. Then connect it to the house ground wire with the wire connector (C).
 Carefully tuck wires back into the ceiling box.
- Attach the fixture canopy-1 to the mounting strap unit (A) by inserting the fixture mounting screws, then secure it with two bolt nuts (D).

6. Attach the threaded pipe (F) to the coupling of the socket base, and secure with a hex nut (E).
(You can adjust the length of the threaded pipe.)
7. Attach the stem (G), cap-1 (F) and cap-2 (I) onto the coupling by inserting the threaded pipe (F), and secure with a hex nut (E).
8. Install bulbs (not included). See relamping label at socket area or packaging for maximum wattage allowed.
9. Attach the glass shade to the fixture, secure with rubber pad (J) , metal pad (K) and hex nut (E) . Then attach the cap-3 (L) onto the glass shade, and secure with finial (M).

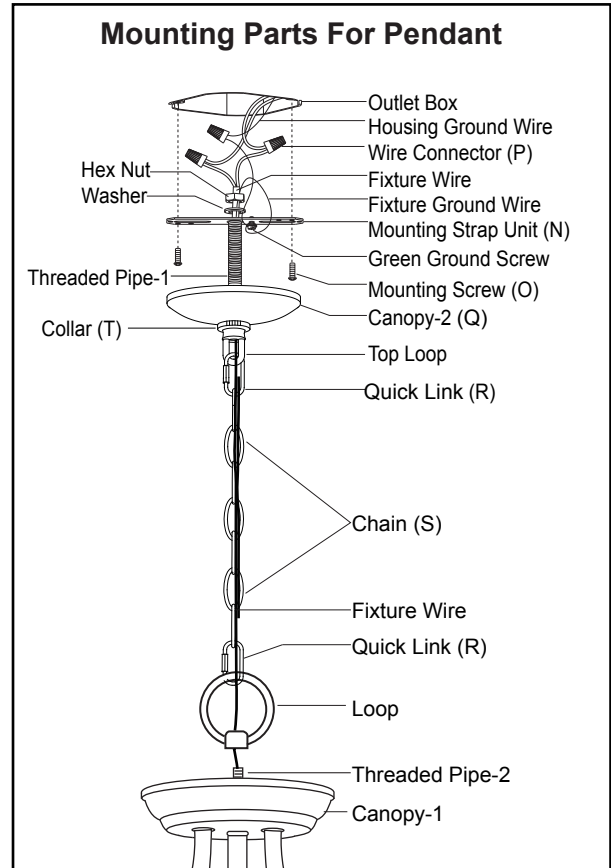
Turn on the power at fuse or circuit box.

For Pendant:

Turn off the power at fuse or circuit box.

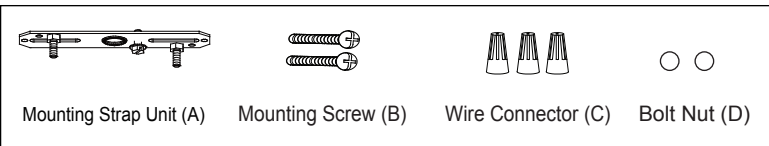
1. Attach the mounting strap unit (N) to the outlet box by using two mounting screws (O).
2. Thread the fixture wire and ground wire through the loop, and secure the loop onto the threaded pipe-2.
3. Choose the length of the chain (S) you need, then weave the fixture wire and the fixture ground wire through the chain (S) , collar (T) and canopy-2 (Q).
4. Connect the chain (S) to the loop and the top loop on mounting strap unit (A) with two quick links (R).
5. Thread the fixture wire and fixture ground wire through the top loop, threaded pipe-1 of the mounting strap unit (A).
6. Follow step 3 as for Semi-Flush.
7. Attach the canopy-2 (Q) to the mounting strap unit (N) by inserting the top loop, and secure with the collar (T).
8. Follow steps 6~9 as for Semi-Flush.

Turn on the power at fuse or circuit box.

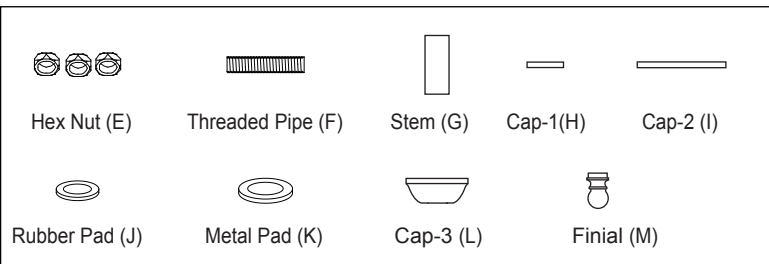


The following parts are available for reorder if damaged or missing.

Spare Parts List for Semi-Flush:

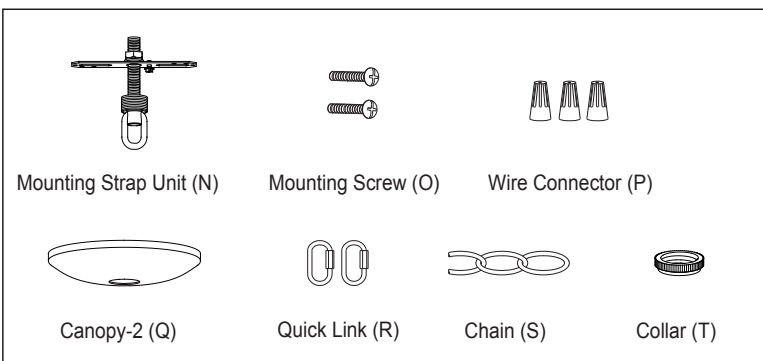


→ Mounting Hardware
6653MM (1SET) for CF65353BN
6656MM (1SET) for CF65353OBB

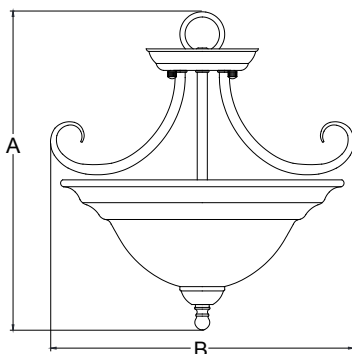
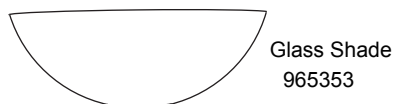


→ Mounting Hardware
6654MM (1SET) for CF65353BN
6657MM (1SET) for CF65353OBB

Spare Parts List for Pendant:



→ Mounting Hardware
6655MM (1SET) for CF65353BN
6658MM (1SET) for CF65353OBB



A: 14-1/2"

B: 14"

1 Year Warranty

Vaxcel warrants all of our products against defects in workmanship and finishes for one year following the date of shipment.

Exclusions: This warranty does not include the failure of products from extreme acts of nature; environmental conditions not suited for the products intended use; operation in temperatures outside of the range specified in the instruction manual; usage with improper power supply, power surges or dips. For coastal locations, some corrosion is considered normal for the environment.

Vaxcel reserves the right to repair, replace or issue a credit for any properly installed product, provided it is returned per RMA instruction. This warranty is limited to the cost of the product only and does not extend to transportation, installation or replacement costs.

How can warranty service be obtained?

info@vaxcel.com
1-800-482-9235

