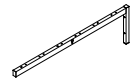
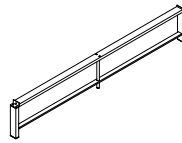
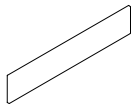
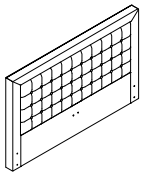


ASSEMBLY INSTRUCTION

UPHOLSTERED STORAGE PLATFORM QUEEN BED

A Headboard **B** Footboard **C** Center Support Bar **D** Rail Section - Front



1PC

1PC

1PC

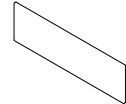
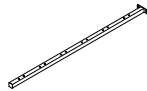
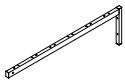
2PCS

E Rail Section - Rear

F Center Rail - Front / Rear

G Center Support Leg

H Drawer Front Board



2PCS

2PCS

2PCS

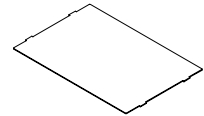
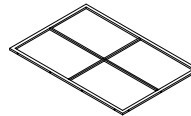
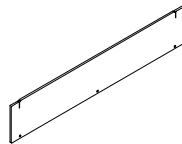
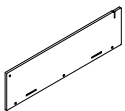
4PCS

I Drawer Side Board

J Drawer Back Board

K Drawer Bottom Frame

L Drawer Bottom Board



8PCS

4PCS

4PCS

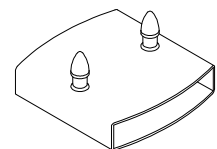
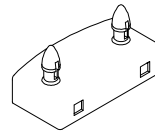
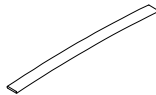
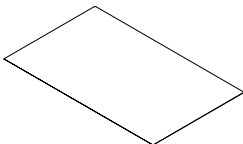
4PCS

M Fabric Cover

N Slat

O Side Slat Connector

P Center Slat Connector



1PC

24PCS

24PCS

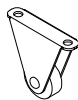
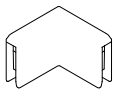
12PCS

Q Drawer Board Connector

R Wheel

S Bracket
120*42*27*2mm

T Bracket
27*27*30*2mm



8PCS

20PCS

2PCS

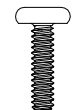
8PCS

U Bolt
1/4"*19mm

V Bolt
1/4"*17.5mm

W Bolt
1/4"*40mm

X Bolt
3/16"*19mm



6PCS

16PCS

10PCS

36PCS

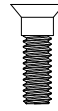
Y Bolt
3/16"*8mm



Z Bolt
1/4"*13mm



AA Bolt
1/4"*19mm



AB Bolt
1/4"*34mm



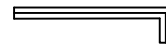
48PCS
AC Nut
3/16"*6.5mm



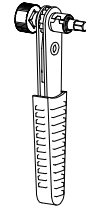
8PCS
AD Washer
Ø16mm



4PCS
AE L-Allen Key
4mm



16PCS
AF Ratchet Tool
4mm

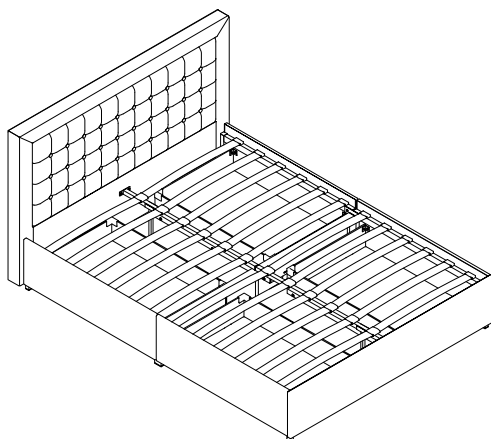


8PCS

48PCS

1PC

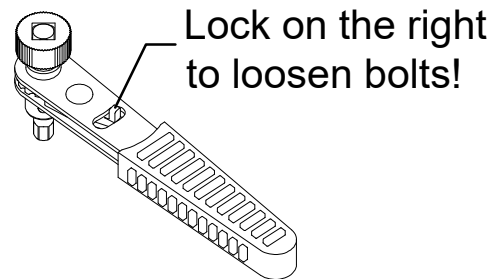
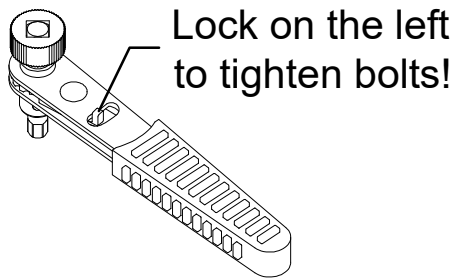
1PC



These pages list all the contents included in the box. Please take the time to identify the hardware as well as the individual components to this product. As you unpack and prepare for assembly, place the contents on a carpeted or padded area to protect them from damage.

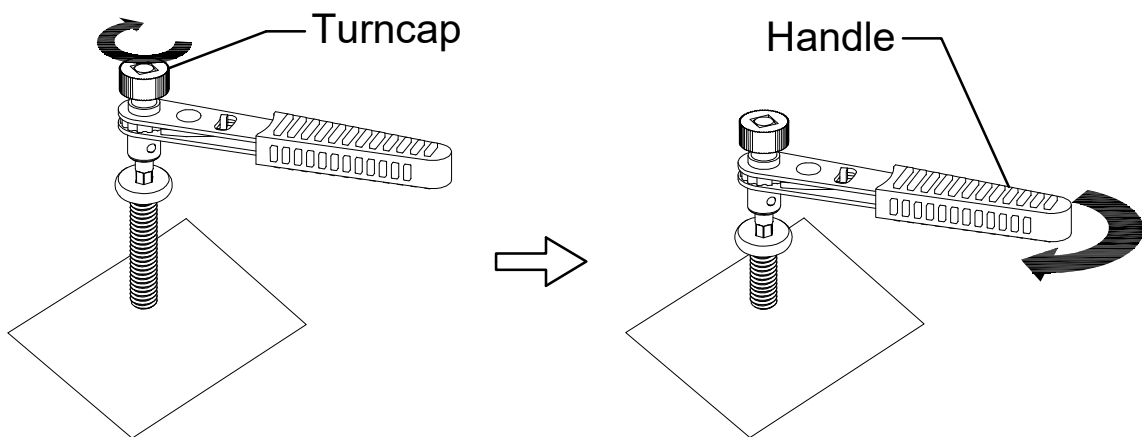
How to Use the Ratchet Tool (AF)

1. Before assembling the furniture, please adjust the lock as needed.

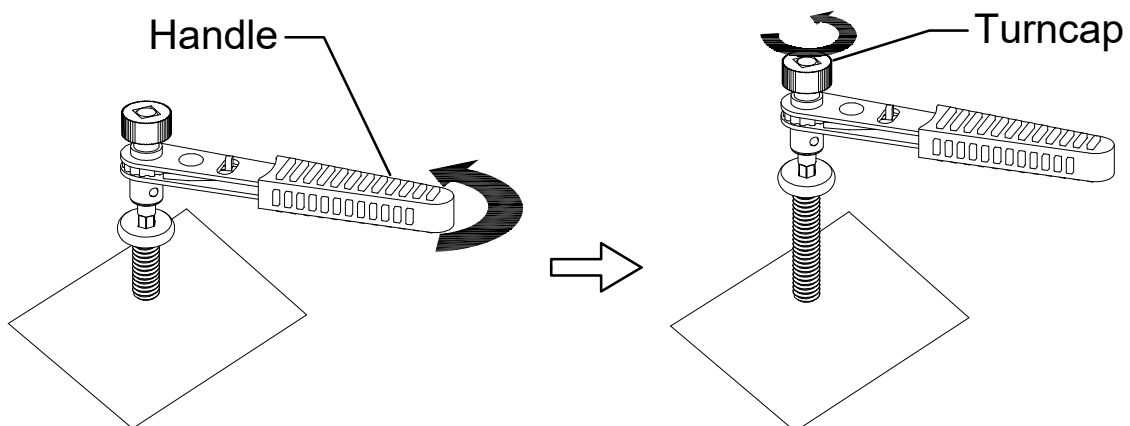


2. Tighten or loosen bolts.

- **Tighten bolts:** Locate the turncap and rotate it clockwise to screw the bolt quickly until it cannot be rotated any more. Then start rotating the handle clockwise to finalize tightening the bolt.

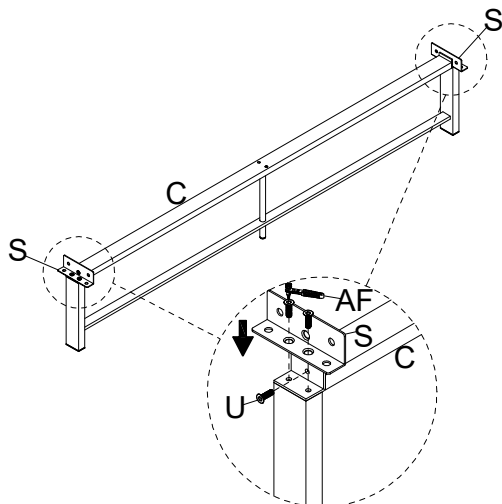


- **Loosen bolts:** Rotate the handle counterclockwise to loosen the bolt. Then continue rotating the turncap in the same direction to remove the bolt completely.



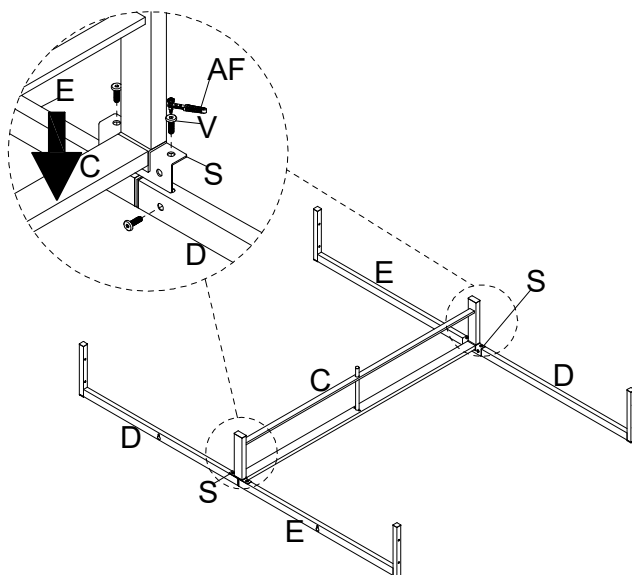
1

Attach the Bracket (S) to Center Support Bar (C), insert the Bolt (U), turn the Ratchet Tool (AF) to tighten them.



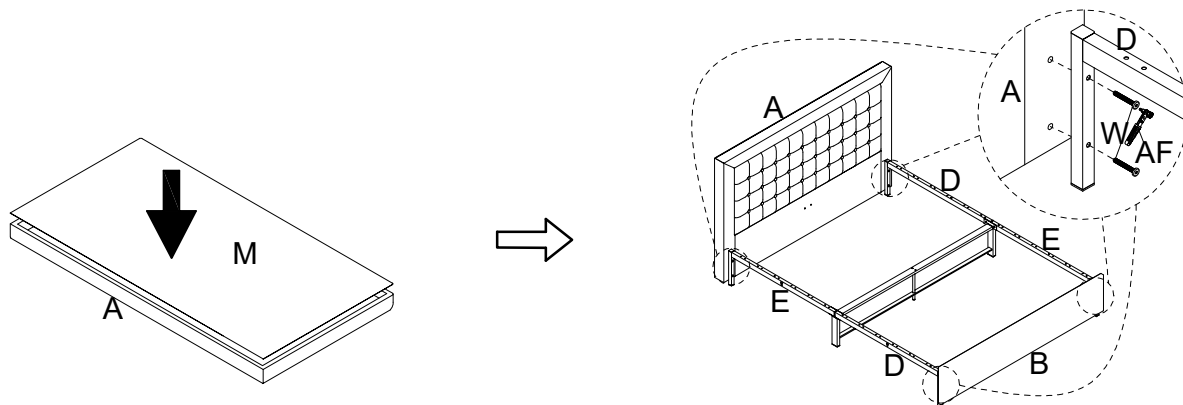
2

Attach the Bracket (S) to the Rail Section - Front (D) and Rail Section - Rear (E), insert the Bolt (V), turn the Ratchet Tool (AF) to tighten them.



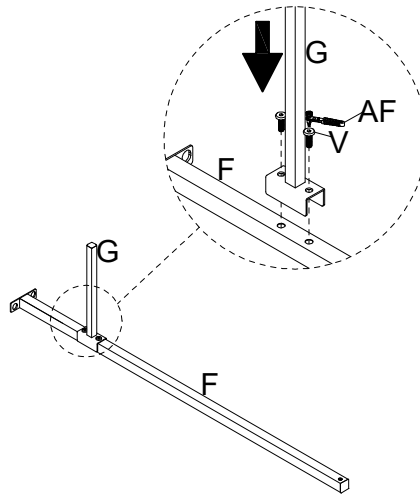
3

Cover the Fabric Cover (M) to the Headboard (A). Attach the Headboard (A) and the Footboard (B) to the assembled Rail Sections (D) & (E), insert the Bolt (W), turn the Ratchet Tool (AF) to tighten them.

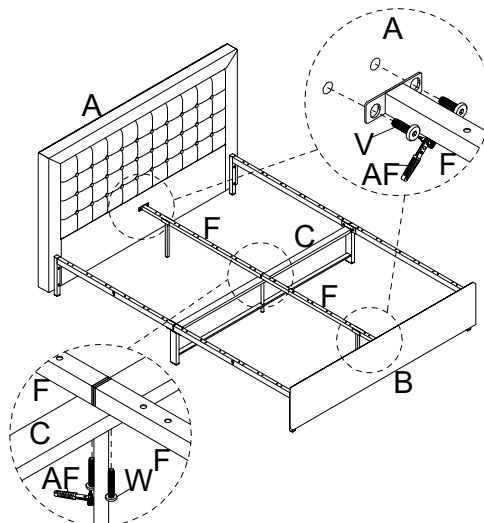


4

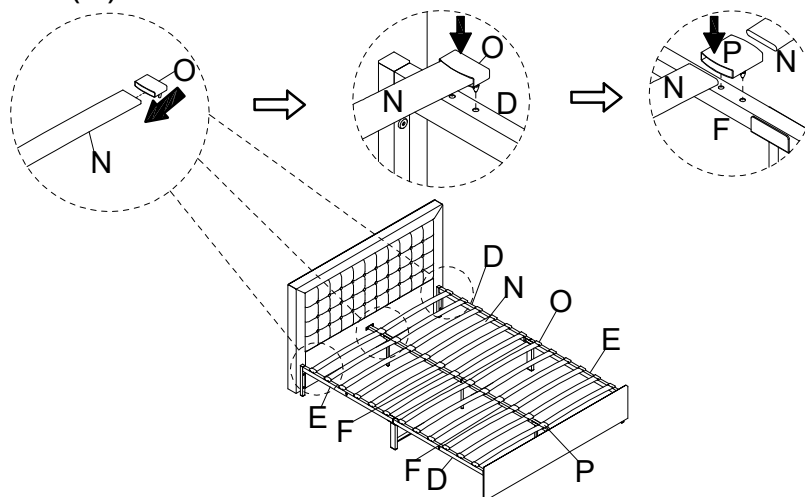
Attach the Center Support Leg (G) to the Center Rail - Front / Rear (F), insert the Bolt (V), turn the Ratchet Tool (AF) to tighten them.

**5**

Attach the Center Rail - Front / Rear (F) to the Headboard (A) and the Footboard (B), insert the Bolt (V), turn the Ratchet Tool (AF) to tighten them. Then attach the Center Rail - Front / Rear (F) to the Center Support Bar (C), insert the Bolt (W), turn the Ratchet Tool (AF) to tighten them.

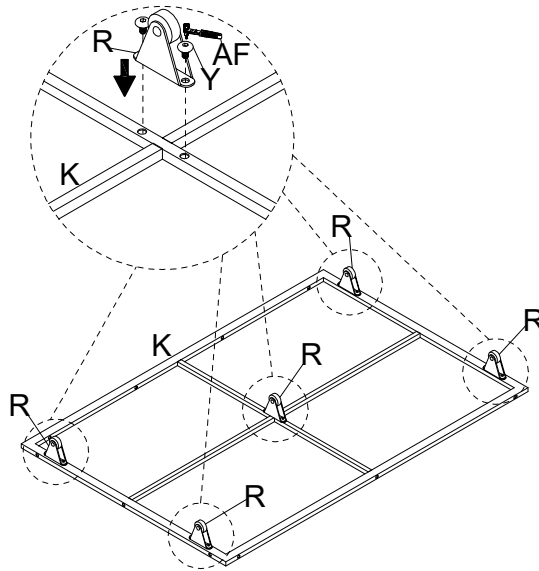
**6**

Insert the Side Slat Connector (O) to the Slat (N). Press the Side Slat Connector (O) to the holes of Rail Sections (D) & (E). Insert another side of Slat (N) to the Center Slat Connector (P), press the Center Slat Connector (P) to the holes of Center Rail - Front / Rear (F).

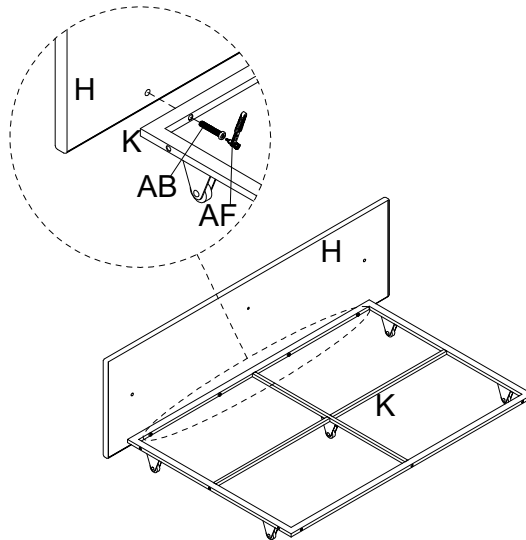


7

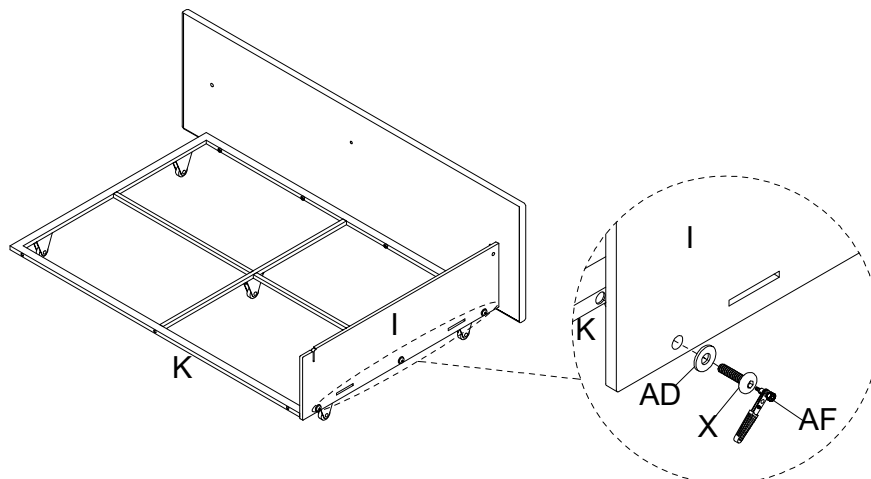
Attach the Wheel (R) to the Drawer Bottom Frame (K), insert the Bolt (Y), turn the Ratchet Tool (AF) to tighten them.

**8**

Attach the Drawer Front Board (H) to the Drawer Bottom Frame (K), insert the Bolt (AB), turn the Ratchet Tool (AF) to tighten them.

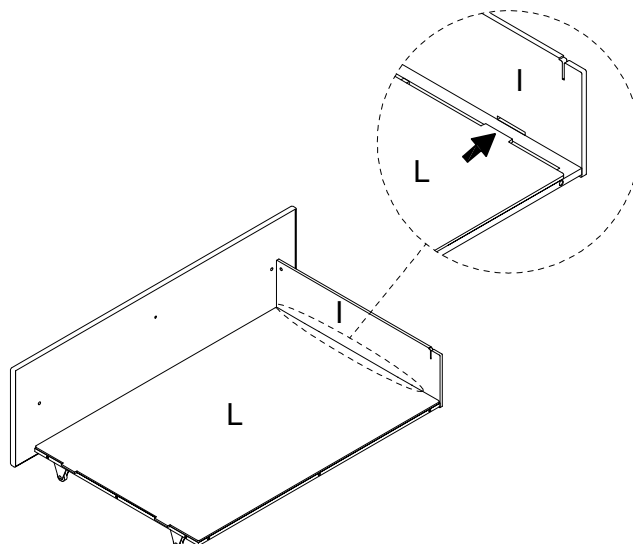
**9**

Attach one Drawer Side Board (I) to the Drawer Bottom Frame (K), insert the Bolt (X) and Washer (AD), turn the Ratchet Tool (AF) to tighten them.

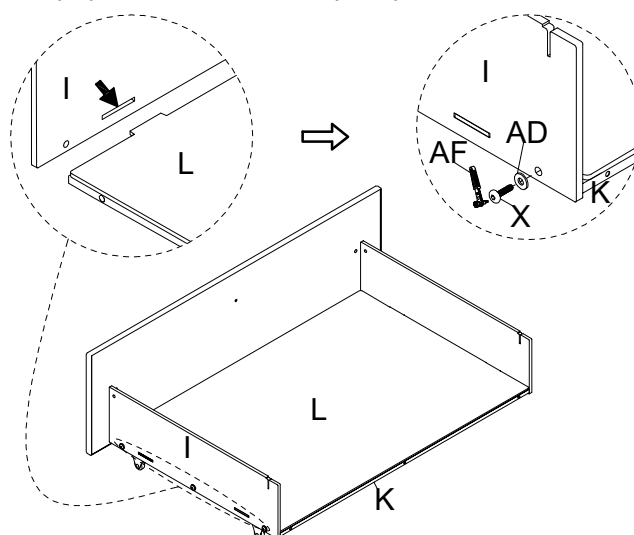


10

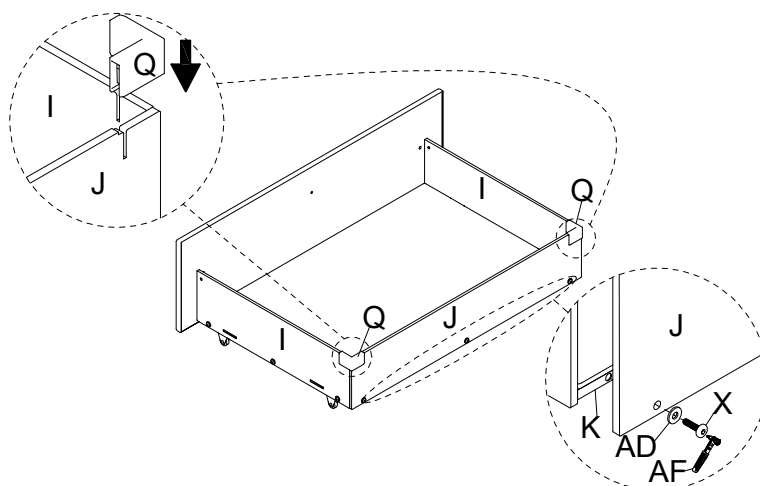
Insert the Drawer Bottom Board (L) to the assembled Drawer Side Board (I).

**11**

Insert another Drawer Side Board (I) to the Drawer Bottom Board (L) first, and attach the Drawer Side Board (I) to the Drawer Bottom Frame (K), then insert the Bolt (X) and Washer (AD), turn the Ratchet Tool (AF) to tighten them.

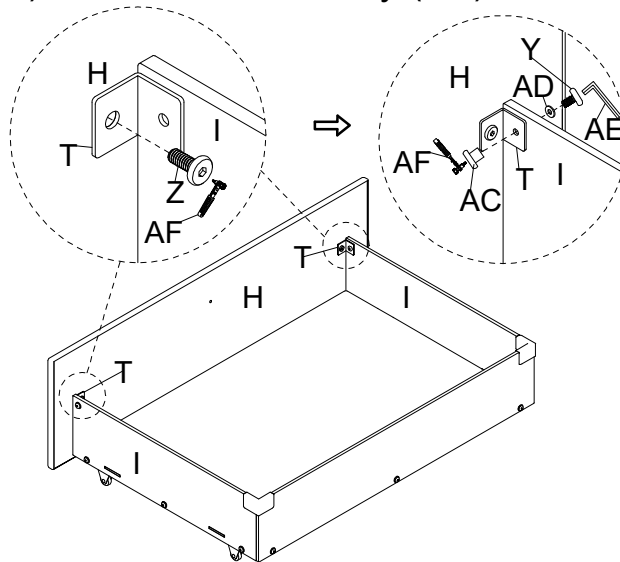
**12**

Attach the Drawer Back Board (J) to the Drawer Bottom Frame (K), insert the Bolt (X) and Washer (AD), turn the Ratchet Tool (AF) to tighten them. Attach the Drawer Board Connector (Q) to the assembled drawer, insert them into correct places.

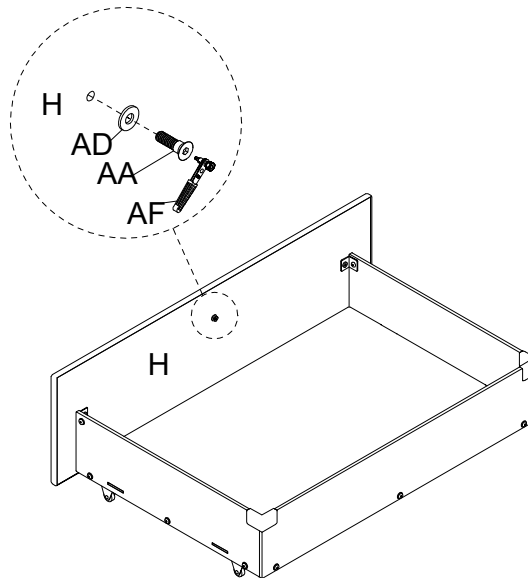


13

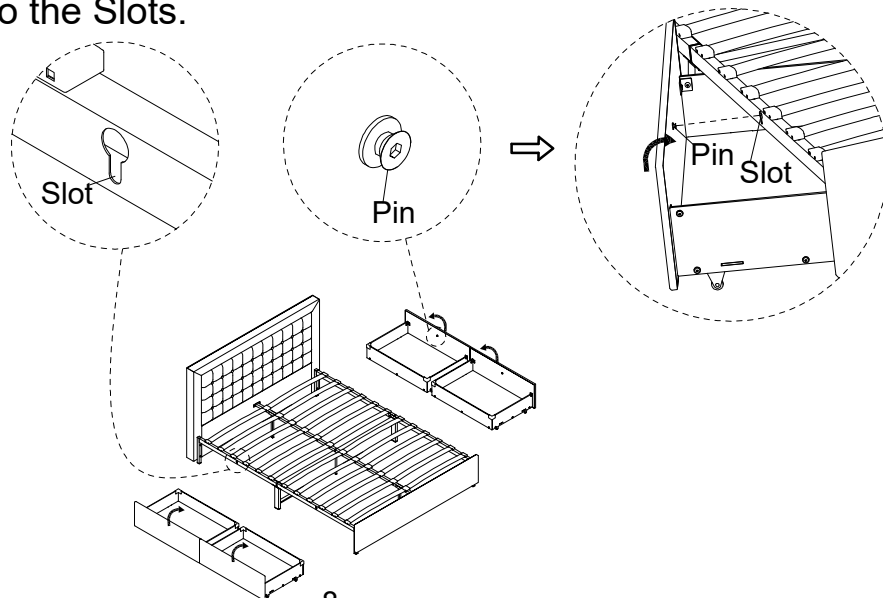
Attach the Bracket (T) to the assembled drawer, insert the Bolt (Z), turn the Ratchet Tool (AF) to tighten them. Then insert the Bolt (Y), Washer (AD) and Nut (AC), turn the L-Allen Key (AE) and Ratchet Tool (AF) to tighten them.

**14**

Insert the Bolt (AA) and Washer (AD) to the back of Drawer Front Board (H), turn the Ratchet Tool (AF) to tighten them.

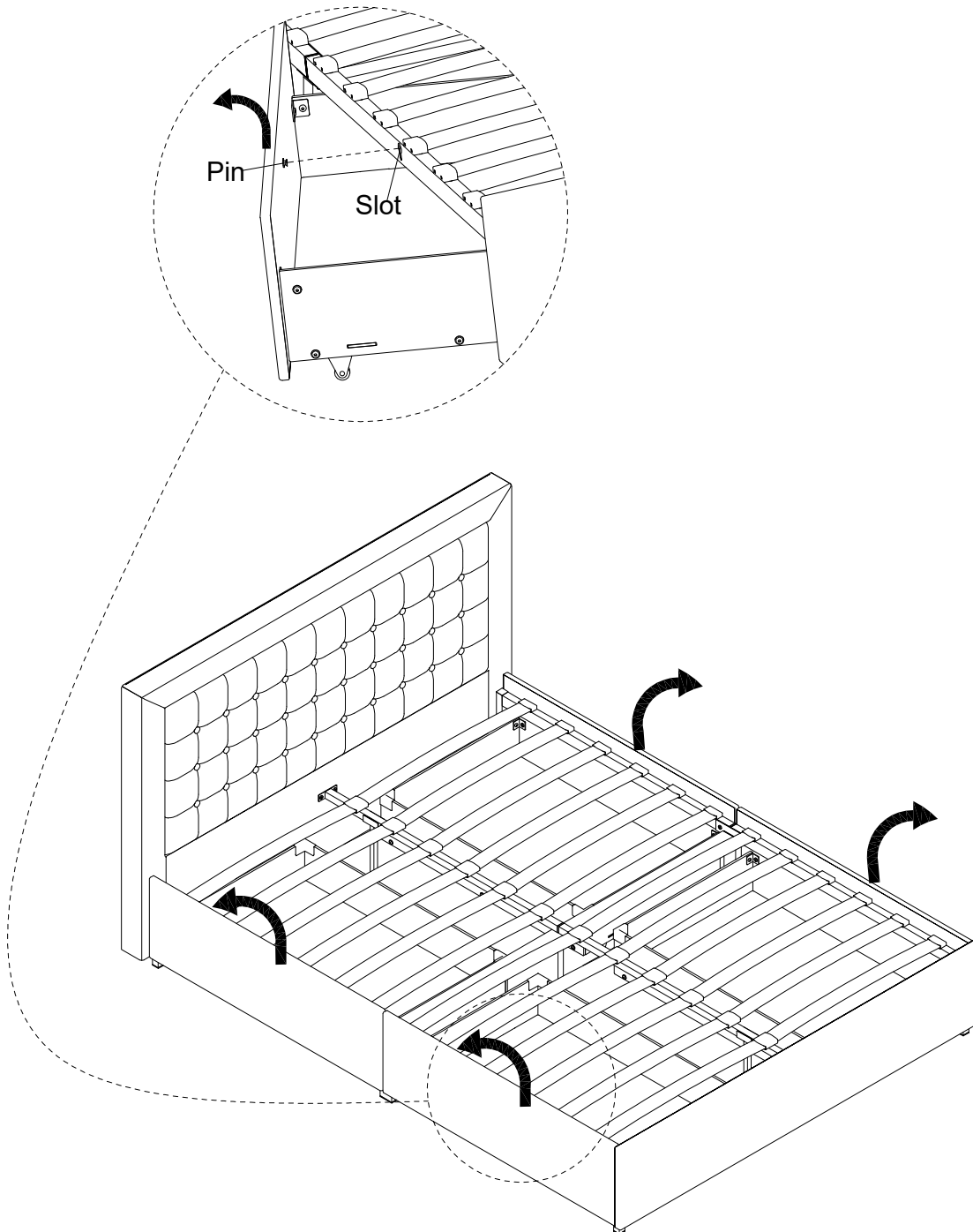
**15**

Align drawers with the bed frame and push them into the bed. Lock drawers by slightly lifting drawers and inserting the Pins that the heads of Bolts (AA) into the Slots.



16

When pull out the drawers, lift the drawers first in order to make the Pins released from the Slots freely, then pull the drawers toward outside. DO NOT PULL OUT THE DRAWERS DIRECTLY.



Cleaning & Care

Treat surface with care. Surface is resistant to scratches but is not scratch resistant. Clean surfaces with a dry or damp soft cloth. Do not use abrasive cleaners. Hardware may loosen over time. Periodically check that all connections are tight.