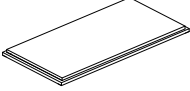
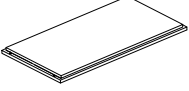
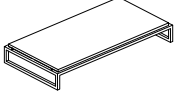
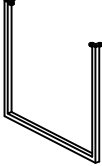


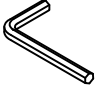
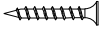
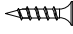
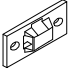



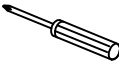
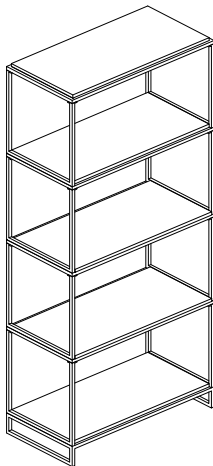


# ASSEMBLY INSTRUCTION

## MODULAR STACKABLE BOOKCASE

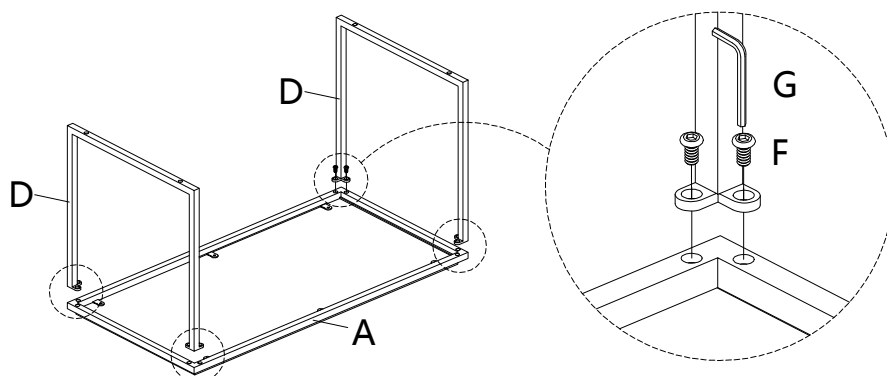
<b>A</b> Top Panel  1 PC	<b>B</b> Shelf  3 PCS	<b>C</b> Bottom Panel Unit  1 PC
<b>D</b> Rail  8 PCS	<b>E</b> Long Bolt 1/4" x 1-1/8"  16 PCS	<b>F</b> Short Bolt 1/4" x 5/8"  32 PCS
<b>G</b> Allen Key M4  1 PC	<b>H</b> Long Screw 4 x 1-3/4"  4 PCS	<b>I</b> Short Screw 4 x 5/8"  4 PCS
<b>J</b> Metal Bracket 46 x 20mm  4 PCS	<b>K</b> Restraint Strap 590mm  2 PCS	<b>L</b> Plastic Cap Ø12  4 PCS
<b>M</b> EVA Pad Ø14  4 PCS	<b>N</b> Screwdriver Not provided  1 PC	



This page lists all the contents included in the box. Please take the time to identify the hardware as well as the individual components to this product. As you unpack and prepare for assembly, place the contents on a carpeted or padded area to protect them from damage.

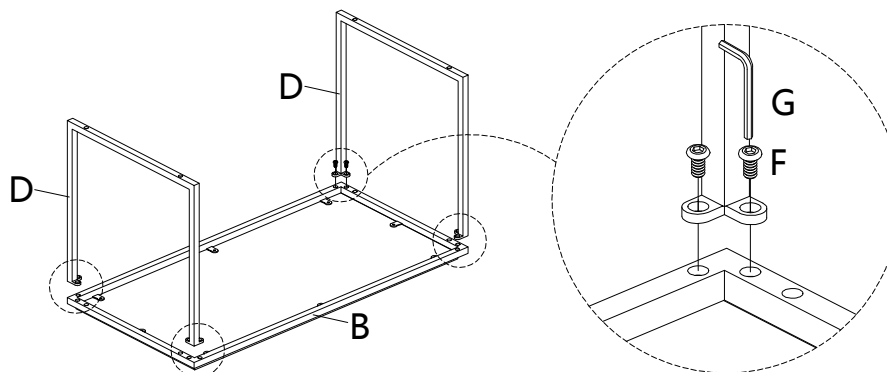
- 1** Attach Rail (D) to Top Panel (A) using Short Bolt (F) with Allen Key (G) to be a Top Panel with Rail Unit (A & D).

**Note: Do not fully tighten the bolts at this step.**



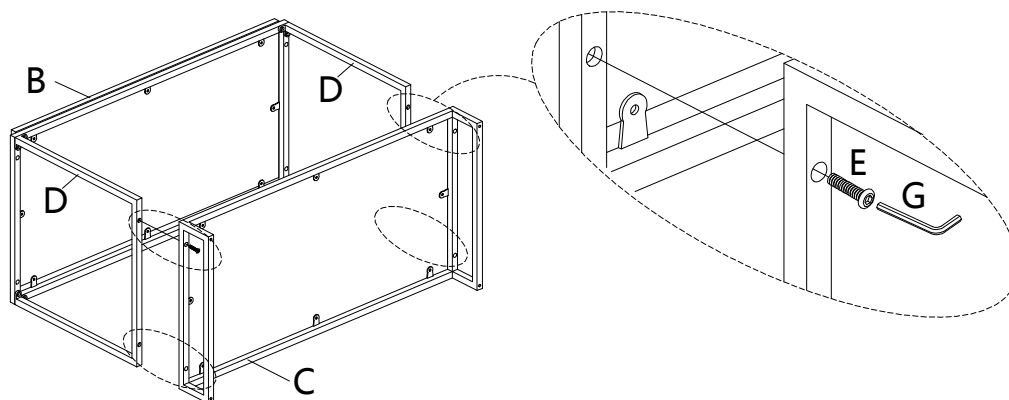
- 2** Attach Rail (D) to Shelf (B) using Short Bolt (F) with Allen Key (G) to be a Shelf with Rail Unit (B & D), and using the same method to assemble the other two Shelf with Rail Units (B & D).

**Note: Do not fully tighten the bolts at this step.**



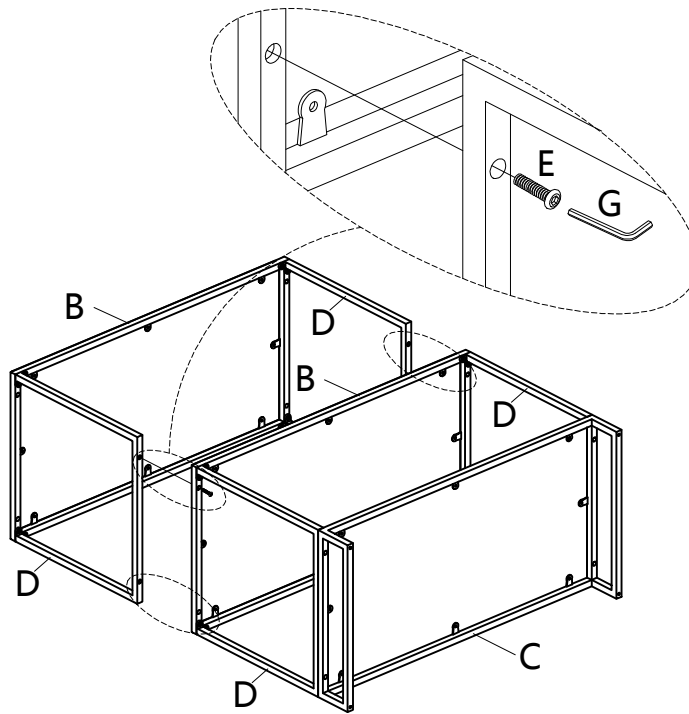
- 3** Attach Bottom Panel Unit (C) to Shelf with Rail Unit (B & D) using Long Bolt (E) with Allen Key (G).

**Note: Do not fully tighten the bolts at this step.**



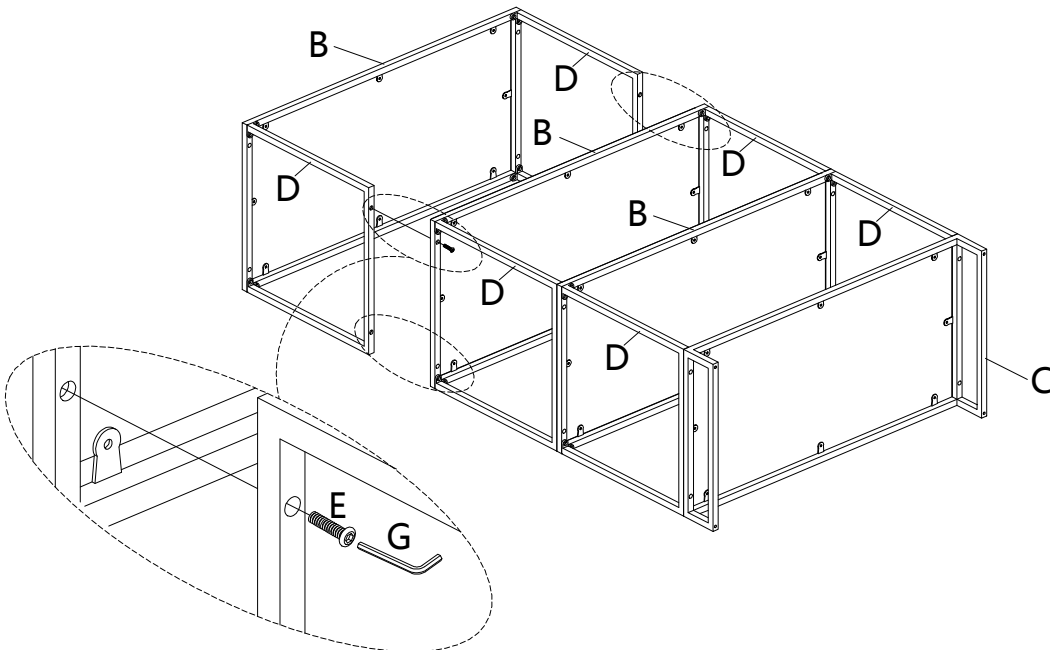
- 
- 4** Attach the second Shelf with Rail Unit (B & D) to the first Shelf with Rail Unit (B & D) using Long Bolt (E) with Allen Key (G).

**Note: Do not fully tighten the bolts at this step.**



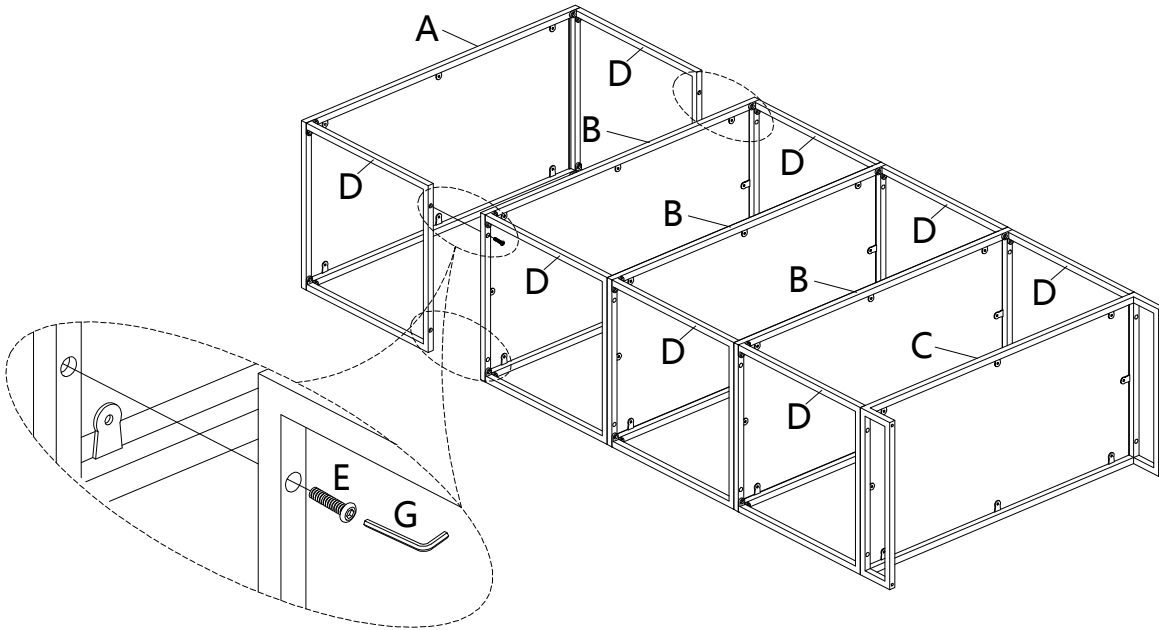
- 
- 5** Attach the third Shelf with Rail Unit (B & D) to the second Shelf with Rail Unit (B & D) using Long Bolt (E) with Allen Key (G).

**Note: Do not fully tighten the bolts at this step.**

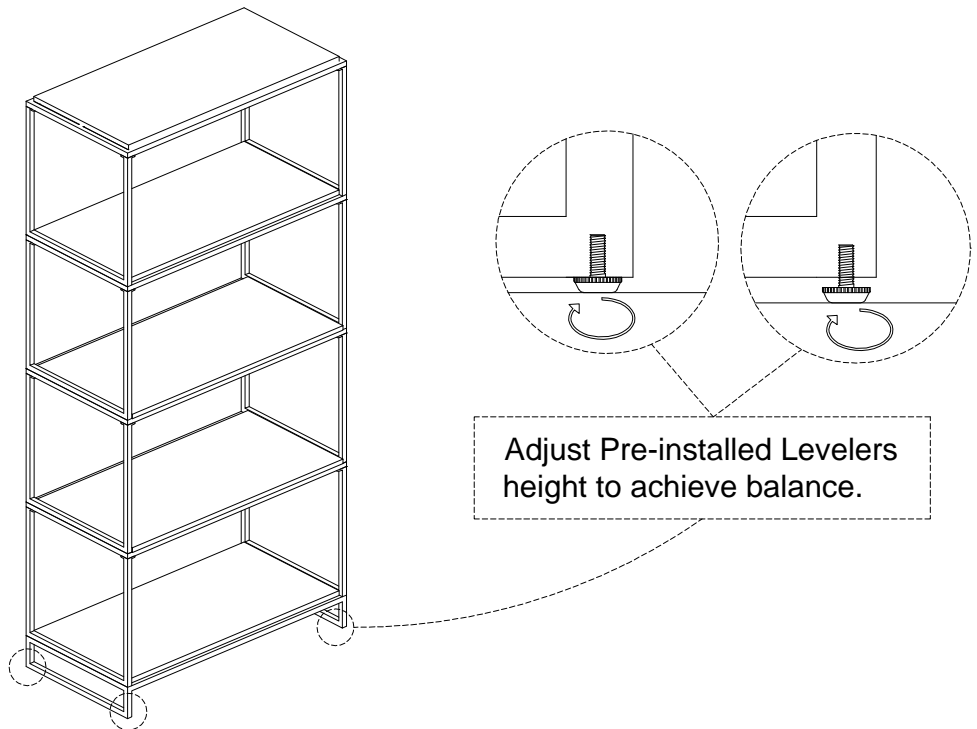


**6** Attach Top Panel with Rail Unit (A & D) to the third Shelf with Rail Unit (B & D) using Long Bolt (E) with Allen Key (G).

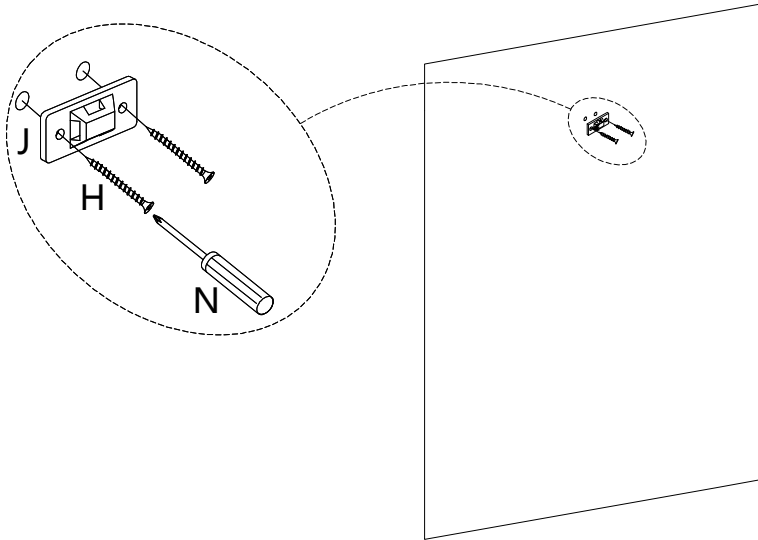
**Note: Fully tighten all bolts at this step.**



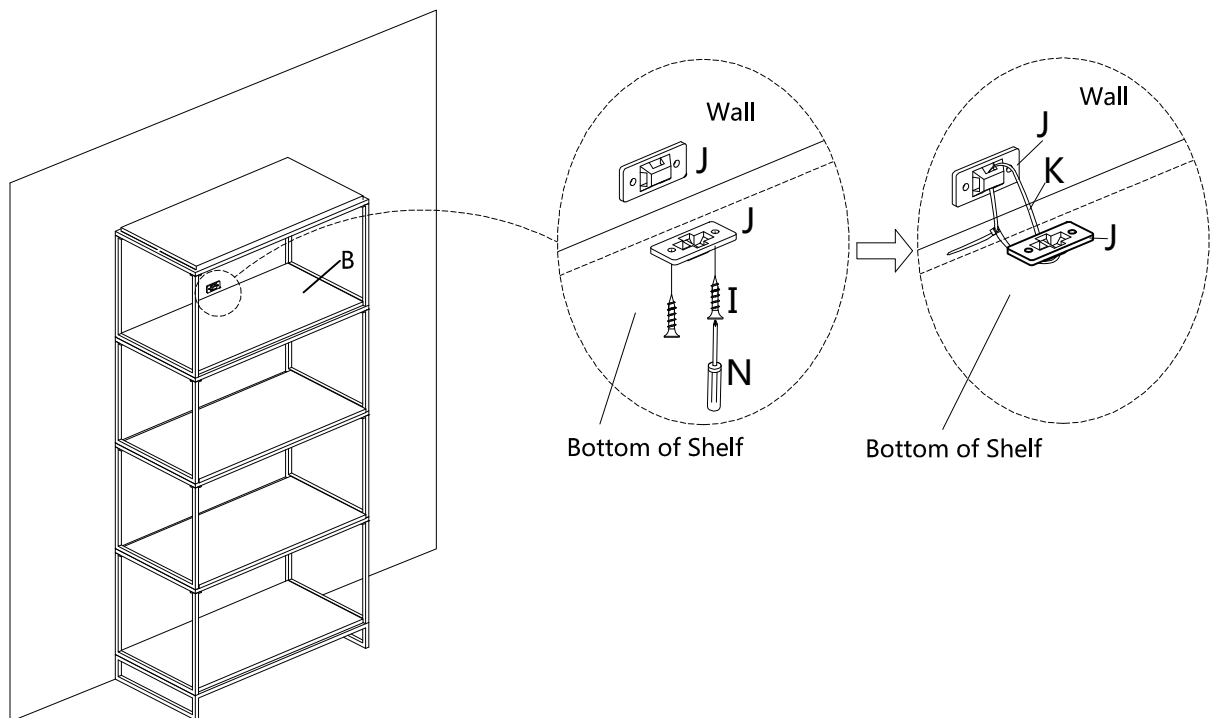
**7** With assistance from your adult partners, turn the Bookcase right way up. Adjust the Pre-installed Levelers on the bottom of Bottom Panel Unit (C) until the Bookcase is level with the ground.



- 8** Fix Metal Bracket (J) on the wall using Long Screw (H) with Screwdriver (N) (not provided) as shown below.

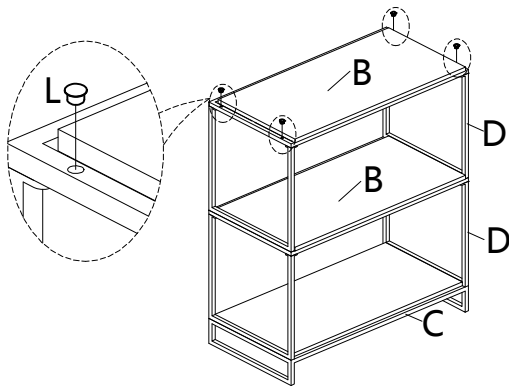


- 9** Move the Bookcase back against wall. Using Short Screw (I) to fix Metal Bracket (J) on the bottom of Shelf (B). Pull the Restraint Strap (K) through the Metal Bracket (J) on the wall and Shelf (B), and pull the Restraint Strap (K) tight.

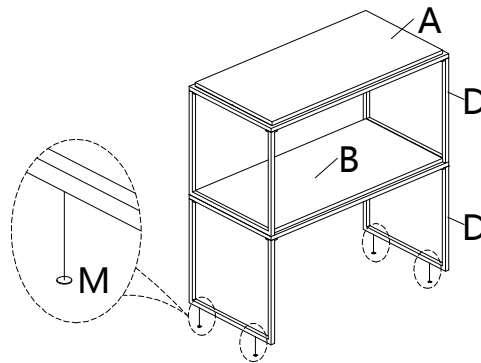


## Alternative Modular Configurations

- 1** Alternative #1 - Small Bookcase A + Small Bookcase B  
Use the Plastic Cap (L) to cover the bolt holes on the top of the Small Bookcase A and put the EVA Pad (M) at the bottom of Small Bookcase B as shown below.

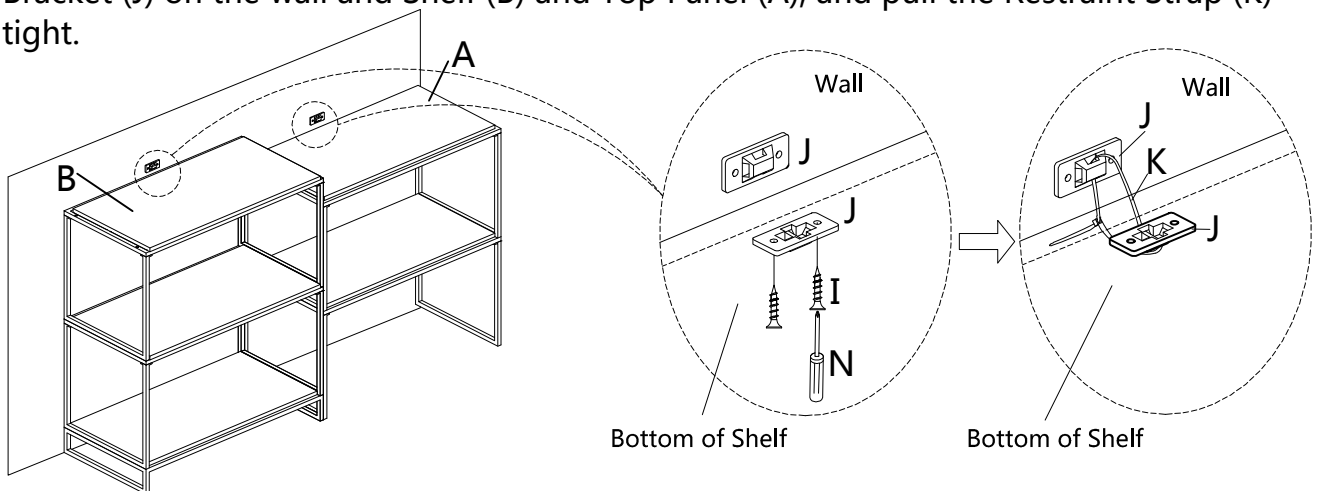


Small Bookcase A

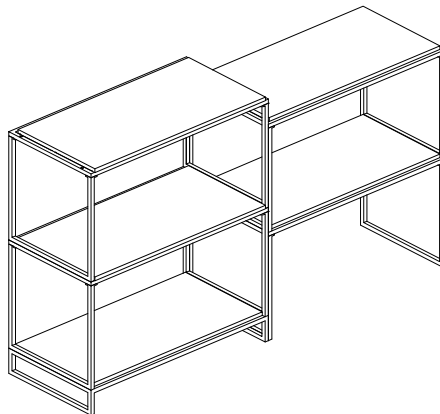


Small Bookcase B

- 2** Move the Bookcase back against wall. Using Short Screw (I) to fix Metal Bracket (J) on the bottom of Shelf (B) and Top Panel (A). Pull the Restraint Strap (K) through the Metal Bracket (J) on the wall and Shelf (B) and Top Panel (A), and pull the Restraint Strap (K) tight.



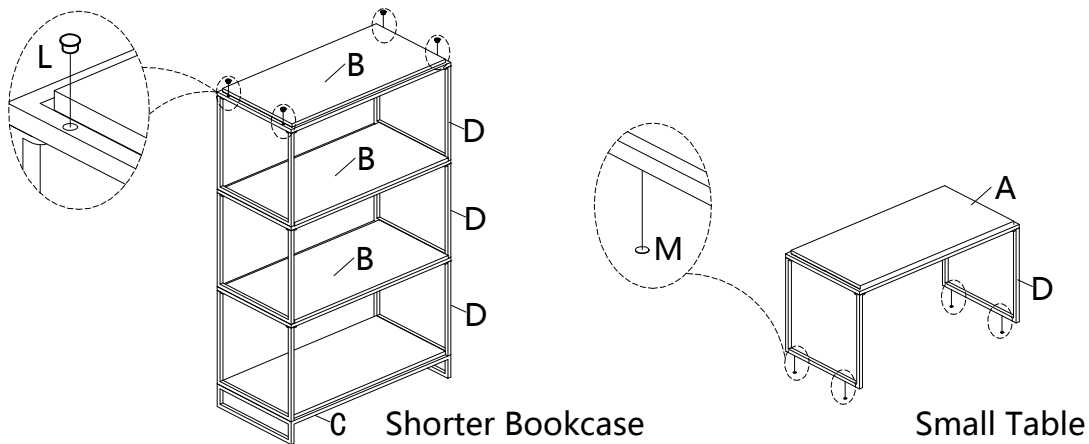
- 3** Complete.



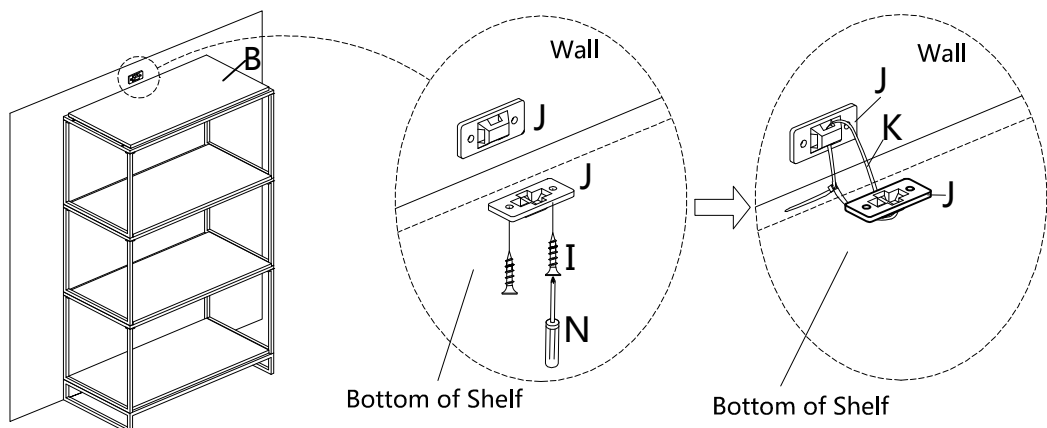
## Alternative Modular Configurations

### 1 Alternative #2 - Shorter Bookcase + Small Table

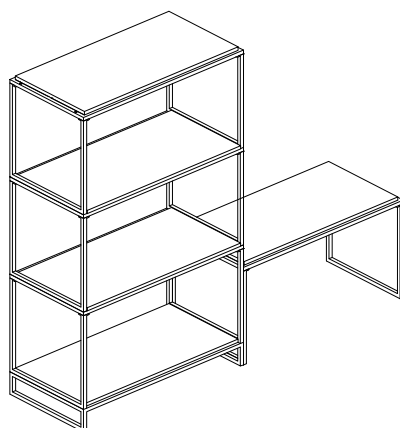
Use the Plastic Cap (L) to cover the bolt holes at the top of the Shorter Bookcase and put EVA Pad (M) at the bottom of Small Table as shown below.



2 Move the Bookcase back against wall. Using Short Screw (I) to fix Metal Bracket (J) on the bottom of Shelf (B). Pull the Restraint Strap (K) through the Metal Bracket (J) on the wall and Shelf (B), and pull the Restraint Strap (K) tight.



3 Complete.



### Cleaning & Care

Treat surface with care. Surface is resistant to scratches but is not scratch resistant. Clean surfaces with a dry or damp soft cloth. Do not use abrasive cleaners. Hardware may loosen over time. Periodically check that all connections are tight.