

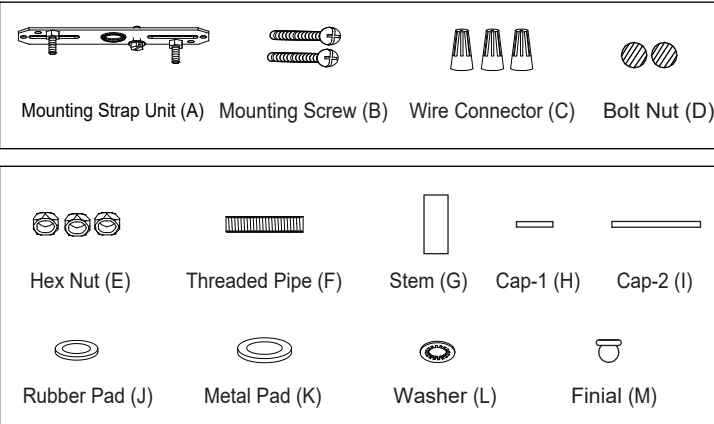
ASSEMBLY AND INSTALLATION INSTRUCTIONS

CF388150L

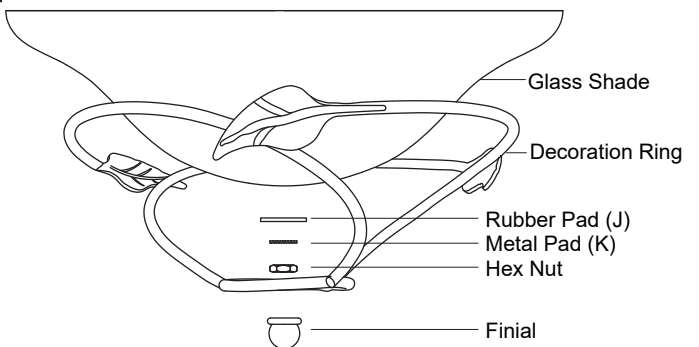
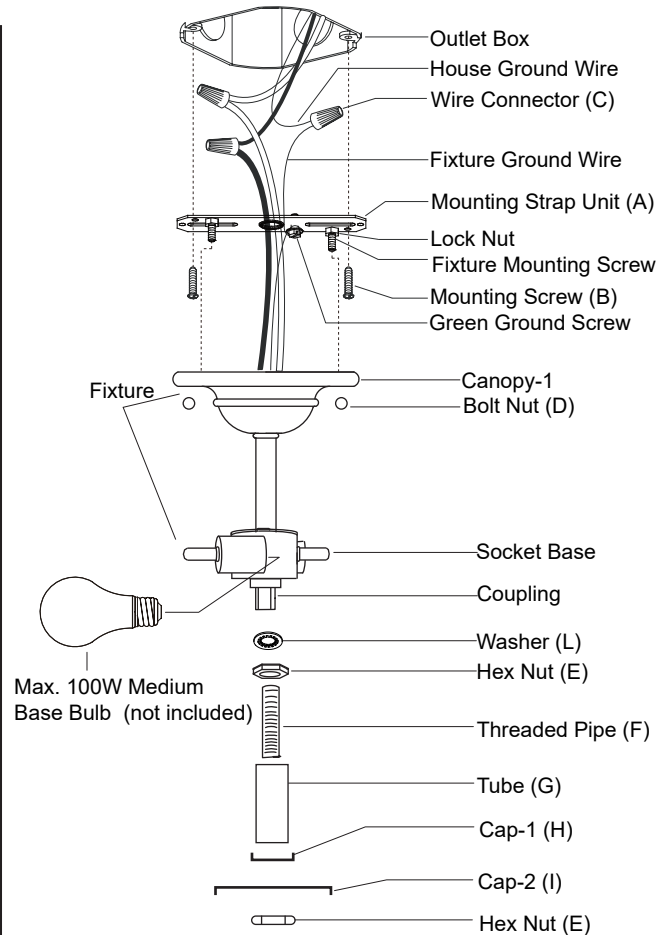
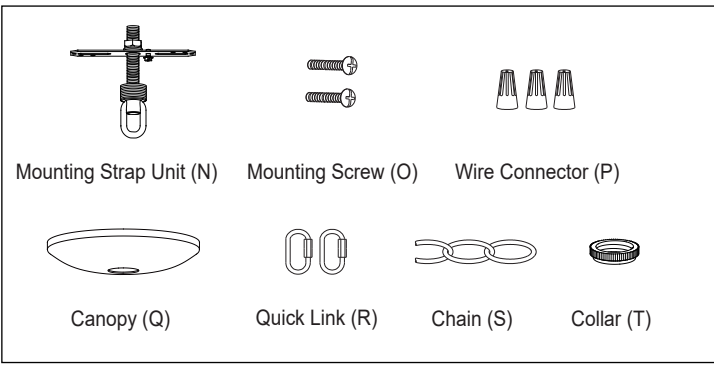
WARNING: TO AVOID RISK OF ELECTRICAL SHOCK, BE SURE TO SHUT OFF POWER WHILE INSTALLING OR SERVICING THIS FIXTURE.

NOTES: 1. Before installing, consult local electrical codes for wiring and grounding requirements.
2. Read and save these instructions.

Hardware Package for Semi-Flush (included):



Hardware Package for Pendant (included):



For Ceiling Light:

Installation Steps

Turn off the power at fuse or circuit box.

1. Attach the mounting strap unit (A) to the outlet box by using two mounting screws (B).
2. Screw the threaded pipe (F) into the coupling on the socket base, then secure with a hex nut (E) and washer (L).
3. Attach the tube (G) and cap-1 (H) to the coupling by inserting the threaded pipe (F), then attach cap-2 (I) to the hex nut (E).

4. Pull out the source wires from the outlet box. Make wire connections using wire connectors (C) as follows:
 - Connect the smooth-coated wire (marked) from the fixture to the black wire from the power source.
 - Connect the ribbed-coated wire (unmarked) from the fixture to the white wire from the power source.
 - Attach the fixture ground wire to the mounting strap unit (A) with the green ground screw, then connect it to the house ground wire with a wire connector (C).
 Carefully put the wires back into the outlet box.
5. Unscrew two bolt nuts (D) from the canopy-1, attach the canopy-1 to the mounting strap unit (A), secure with the bolt nuts (D).
6. Install 2 X 100W Max. medium base bulbs (not included). See relamping label at socket area or packaging for maximum wattage allowed.
7. Attach the glass shade to the fixture, secure with the rubber pad (J), metal pad (K) and hex nut (E). Then attach the decoration ring upward to the glass shade, then secure with the finial (M).

Turn on the power at fuse or circuit box.

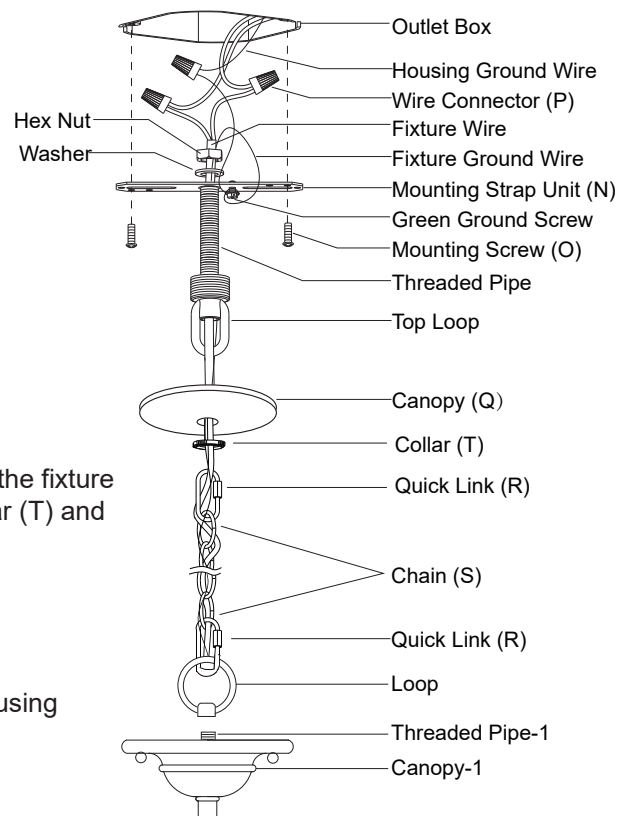
For Pendant Light:

Installation Steps

Turn off the power at fuse or circuit box.

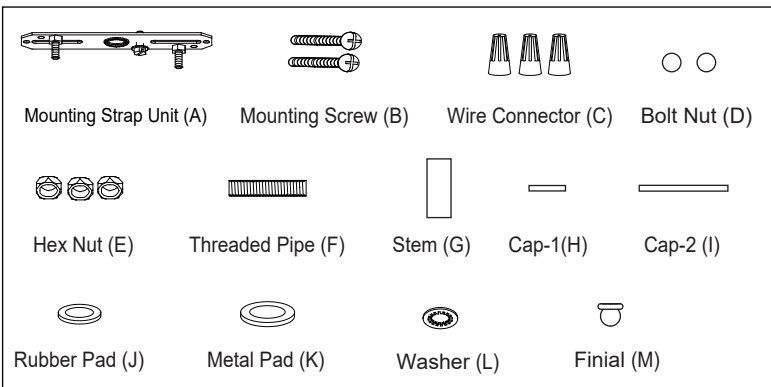
1. Attach the mounting strap unit (N) to the outlet box by using two mounting screws (O).
2. Follow steps 2~3 as For ceiling light.
3. Install loop on the threaded pipe-1 inside Canopy-1.
4. Adjust the length of the chain (S) you needed, then weave the fixture wire and the fixture ground wire through the chain (S), collar (T) and canopy (Q).
5. Connect one end of the chain (S) with the loop by using a quick link (R).
6. Connect the other end of the chain (S) with the top loop by using another quick link (R).
7. Follow step 4 as For ceiling light.
8. Attach the canopy (Q) to the mounting strap unit (N) by inserting the top loop, then secure it with the collar (T).
9. Follow steps 6~7 as For ceiling light.

Turn on the power at fuse or circuit box.



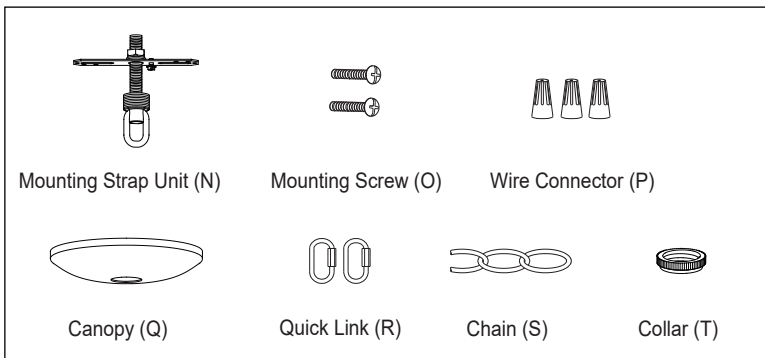
The following parts are available for reorder if damaged or missing.

Spare Parts List for Semi-Flush:

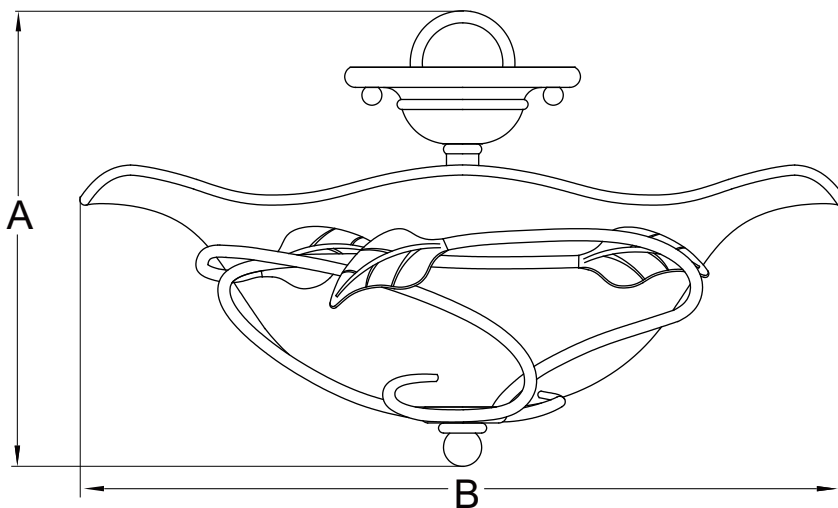
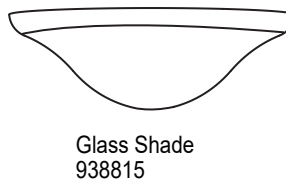


→ Mounting Hardware
6845MM (1SET)

Spare Parts List for Pendant:



→ Mounting Hardware
6846MM (1SET)



A: 9"
B: 15"

1 Year Warranty

Vaxcel warrants all of our products against defects in workmanship and finishes for one year following the date of shipment.

Exclusions: This warranty does not include the failure of products from extreme acts of nature; environmental conditions not suited for the products intended use; operation in temperatures outside of the range specified in the instruction manual; usage with improper power supply, power surges or dips. For coastal locations, some corrosion is considered normal for the environment.

Vaxcel reserves the right to repair, replace or issue a credit for any properly installed product, provided it is returned per RMA instruction. This warranty is limited to the cost of the product only and does not extend to transportation, installation or replacement costs.

How can warranty service be obtained?

info@vaxcel.com

1-800-482-9235