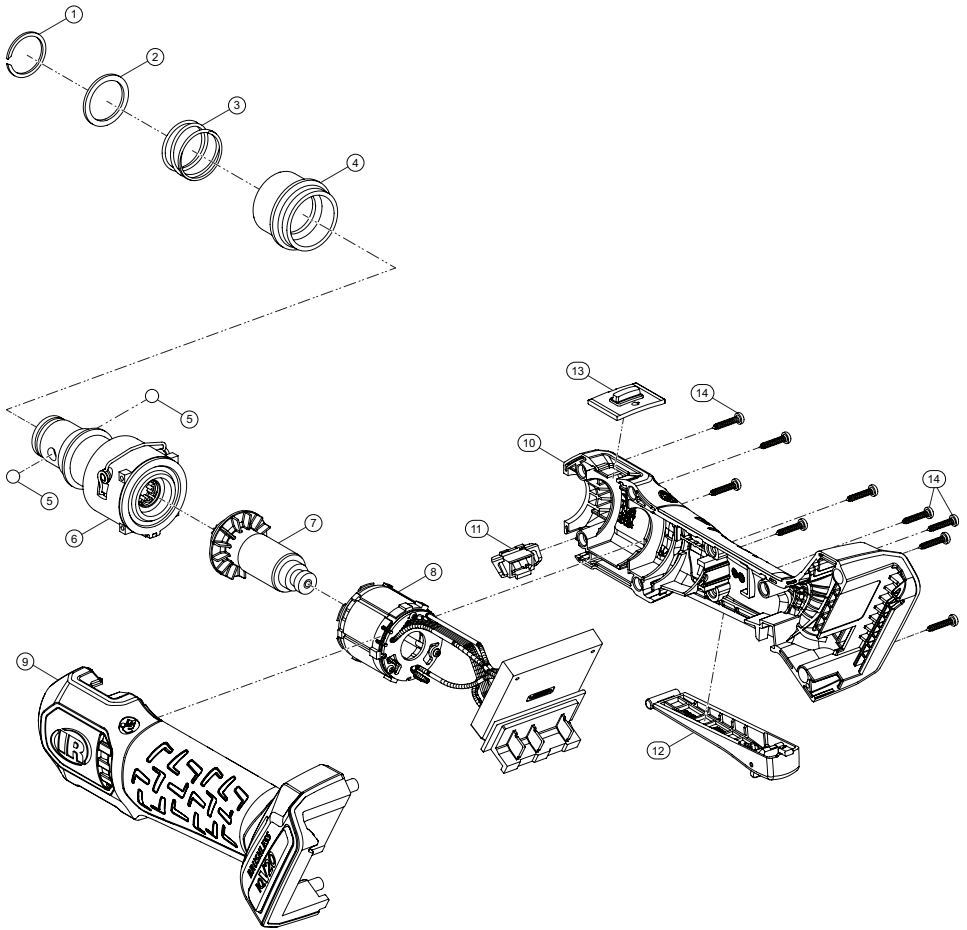


**G4911, Cordless Tire Buffer - Exploded View**



(Dwg. TL-G4911-PLM-1)

## G4911, Cordless Tire Buffer - Parts List

Item	Part Description	Part Number (CCN)	Item	Part Description	Part Number (CCN)
*	Gearbox Kit	TK-G4911-750	11	LED Lens Kit	TK-G4911-144
1	Retaining Ring for Shaft	---	*	Trigger Kit	TK-G4911-093
2	Flat Washer		12	Switch Trigger Assembly	---
3	Pressure Spring		13	Speed Selector	
4	Lock Sleeve		14	Fastener Kit	TK-G4911-078
5	Ball (2 required)		*	20V Li-ion Battery Pack	
6	Gearbox Assembly			2.5 Ah	BL2012 (47515903001)
*	Chuck Kit	5.0 Ah		BL2022 (47515902001)	
1	Retaining Ring for Shaft	---	*	Battery Charger, Single Bay	BC1121 (47507879001)
2	Flat Washer		Protective Battery Boot		
3	Pressure Spring		*	For 2.5 Ah and 2.8 Ah Batteries	BL2005-BOOT (47510965001)
4	Lock Sleeve			For 5.0 Ah and 5.6 Ah Batteries	BL2010-BOOT (47510964001)
5	Ball (2 required)		*	Storage/Carrying Bag	TB4 (47543666001)
7	Motor Rotor Kit	TK-G4911-013			
8	Stator-Switch and LED Kit	TK-G4911-052			
*	Housing Kit	TK-G4911-040			
9	Left Housing	---			
10	Right Housing				
14	Screw (9 required)				

\* Indicates not illustrated.

## Parts and Maintenance

When tool life has expired, it is recommended that the tool be disassembled, degreased and parts separated by material for proper recycling.

Tool repair and maintenance should only be carried out by an Authorized Service Center.

Refer all communications to the nearest **Ingersoll Rand** office or distributor.

## Related Documentation

Manuals can be downloaded from [ingersollrand.com](http://ingersollrand.com)

For additional information, refer to:

Product Safety Information Manual TL-G4911-SIM

Product Information Manual TL-G4911-PIM

CE-Declaration of Conformity TL-G4911-DOC

UK-Declaration of Conformity TL-G4911-DOC-UK