

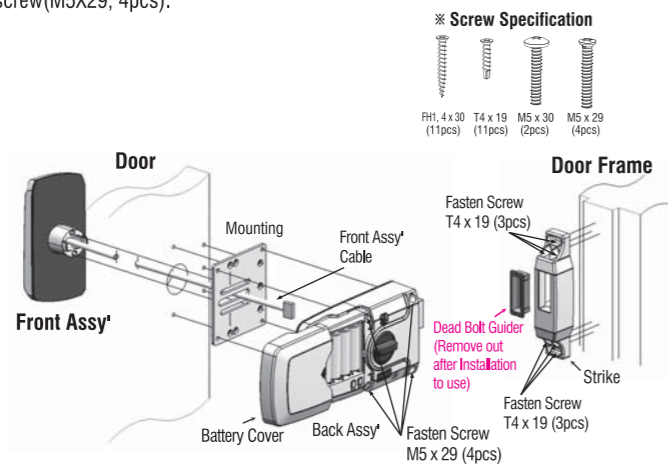
⚠ Caution

1. This is precision product, therefore it should be installed by expert of the lock.
If install by personally, please be careful and should check the installation manual before install the product.

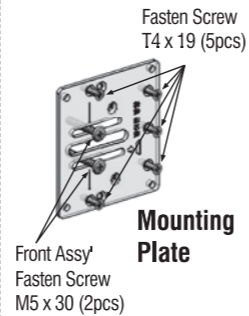
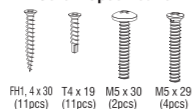
2. The strike guider is served to install correctly, Please remove out the strike guider after installation.
3. Please check door thickness and door handing before installation.
This product can be installed with the door thickness 40~50mm

How to Install

1. Firstly, check the door can open and close smoothly or not."
2. After fold 90° angle which the fold line at the installation template and it should be closely to the door and then marked to install.
3. Build at marked point with given specification on the installation template.
4. In case of dismantle existing mechanical auxiliary lock, just use center hole on the mounting plate to adjust position and install the product."
5. Front Ass'y make closely at the door from outside, and use fasten screw (M5x30, 2pcs) to fix the mounting plate and front ass'y (Careful the direction of the mounting plate).
For more strong fasten the mounting plate, use fasten screw (T4x19, 5pcs) to fix the mounting plate
6. Front ass'y cable insert to Back ass'y connector and then fix at the mounting plate by using fasten screw(M5x29, 4pcs)."



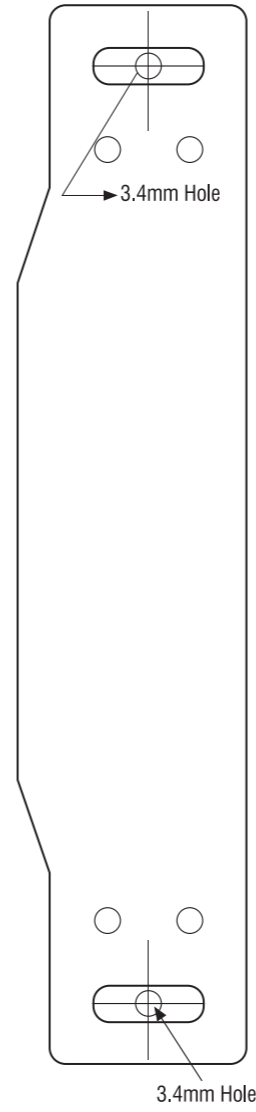
※ Screw Specification



7. Fix the strike as follow deadbolt direction with fasten screw(T4X19, 6pcs) and make certain distance strike and deadbolt. "
8. Insert exactly the battery depending on direction
9. Check the door open and close properly or not
10. Before used, reading the user's manual to understand how to use this product and then try to register secret code to use. "

* For Wooden Door : Please changed screw which is T4x19 to FH1, 4X30 mm (for wood)

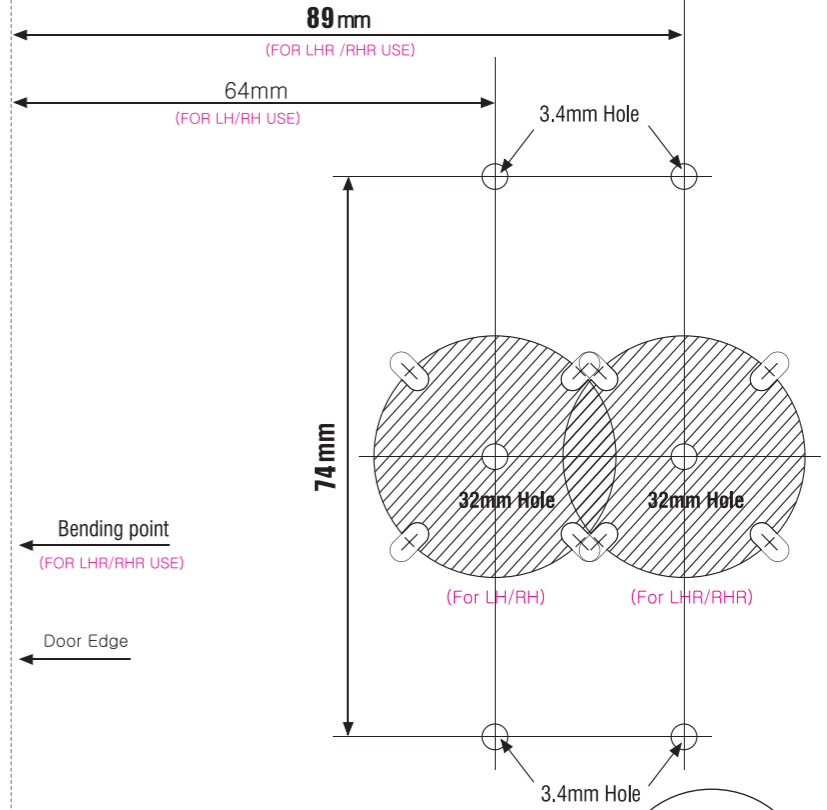
↑ (LH/LHR)



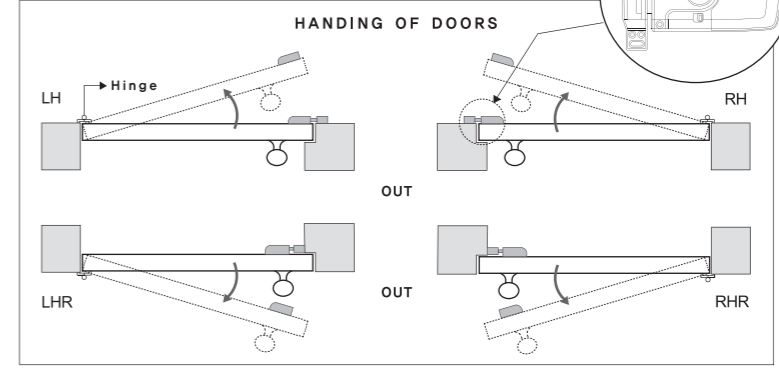
(RHR/RH) ↓

Installation Template

(This installation template use indoor only)



LH : Left Hand LHR : Left Hand Reverse
RH : Right Hand RHR : Right Hand Reverse



(Useful door thickness 40~50mm)