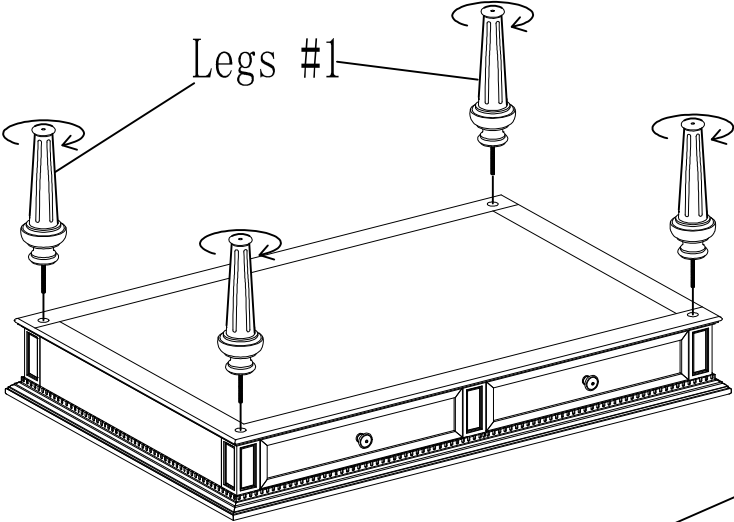


HEKMAN

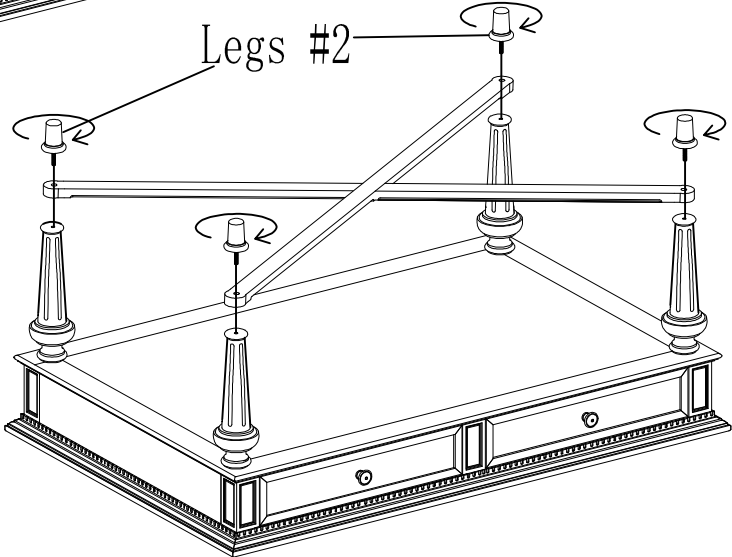
ASSEMBLY INSTRUCTIONS

23301- Large Coffee Table

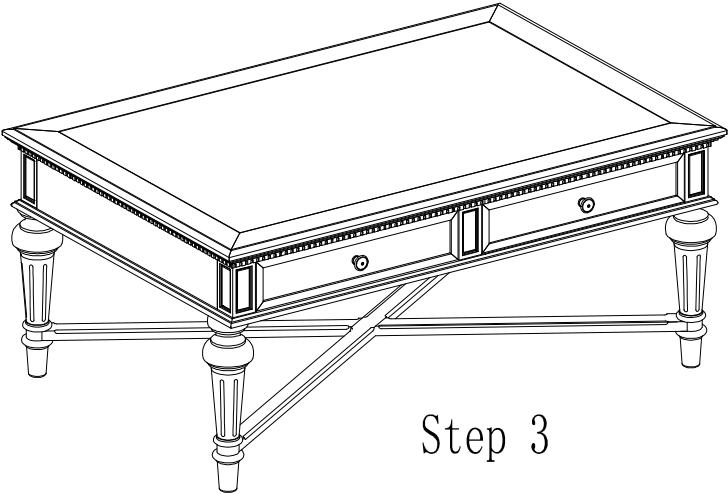
A HOWARD MILLER COMPANY



Step 1



Step 2



Step 3

Place the large coffee table upside down on soft and clean surface to prevent scratching

Step 1: Attach the legs (#1) to the table top

Step 2: Assemble the X stretcher to 4 legs (#1), assemble legs (#2) by turning clockwise.

Step 3: Set the large coffee table upright.

MADE IN VIETNAM