



Clearflo | K-7143

Retrofit toe tap conversion kit, drain only

Features

- Intended to replace existing stopper/drain, flange/toggle linkage
- Toe-tap component installs on most drain bodies with 1-1/2"-11 1/2 NPSM thread
- For KOHLER drains K-7160-AF, K-7160-TF, K-7161-AF, K-7193
- Metal construction



Codes/Standards

ASME A112.18.2/CSA B125.2

Required Products/Accessories

- K-37383 Rough-in cable bath drain, PVC, 30" cable with tubing (QTY 2)

or

- K-T37392 Rotary-turn bath drain trim
- K-T37391 Rotary-turn bath drain trim

or

- K-78438 30" cable bath drain
 - K-37383 Rough-in cable bath drain, PVC, 30" cable with tubing
-

Warranty

See website for detailed warranty information.

KOHLER® Faucet Lifetime Limited Warranty

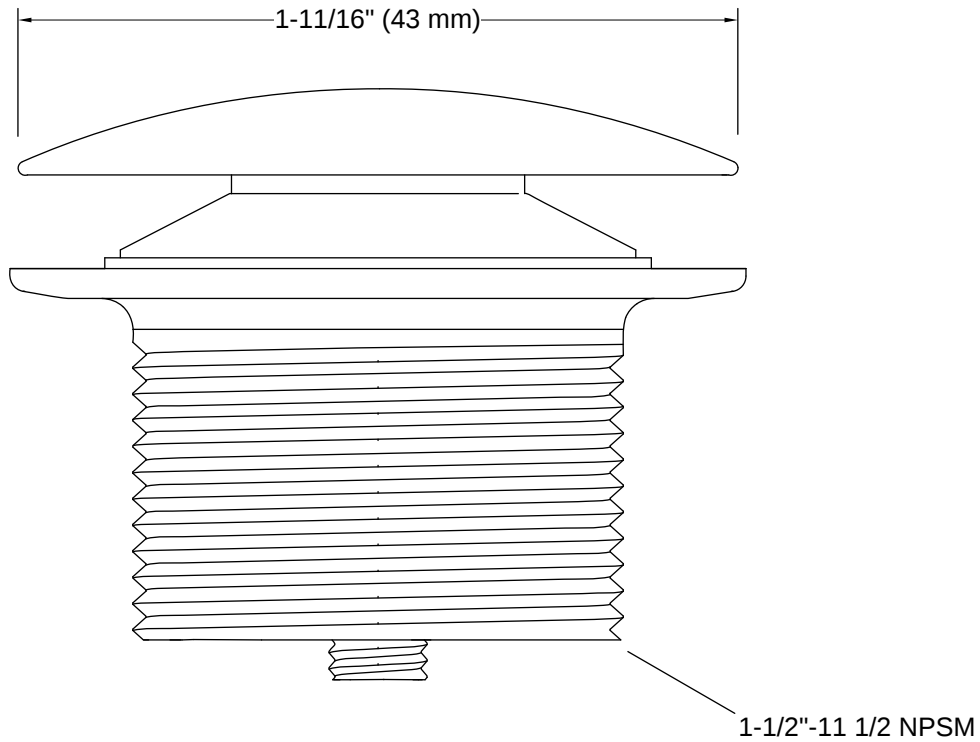


1-800-4KOHLER (1-800-456-4537)

Kohler Co. reserves the right to make revisions without notice to product specifications.

For the most current specification sheet, go to www.kohler.com USA or www.kohler.ca Canada.

5-12-2026 21:43 - US-CA



Installation Notes

Install this product according to the installation instructions.

IMPORTANT! This installation should be performed by a qualified plumber.

IMPORTANT! Provide access to the back of the bath. Removing the existing overflow cover may effect the seal. Inspect the back of the bath for leaks after completing this retrofit installation.

The existing stopper should measure approximately 1-11/16" (43 mm) in diameter or this kit will not fit.

