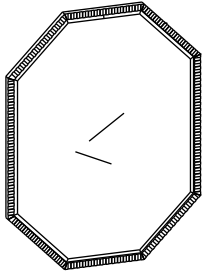


ASSEMBLY INSTRUCTION

OCTAGON WALL MIRROR

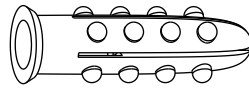
A Mirror



1pc

B Wall Anchor

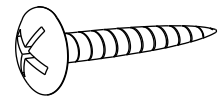
1/4" x 1"



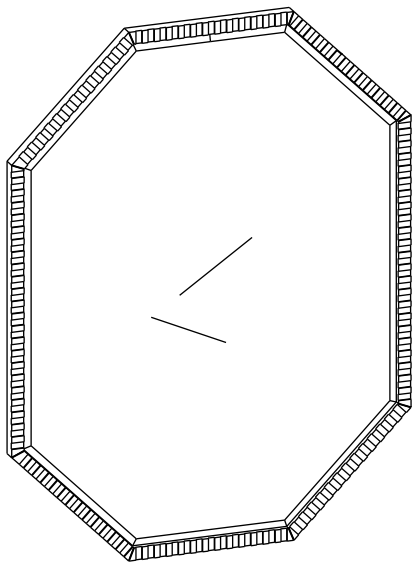
2pcs

C Screw

5 x 30mm



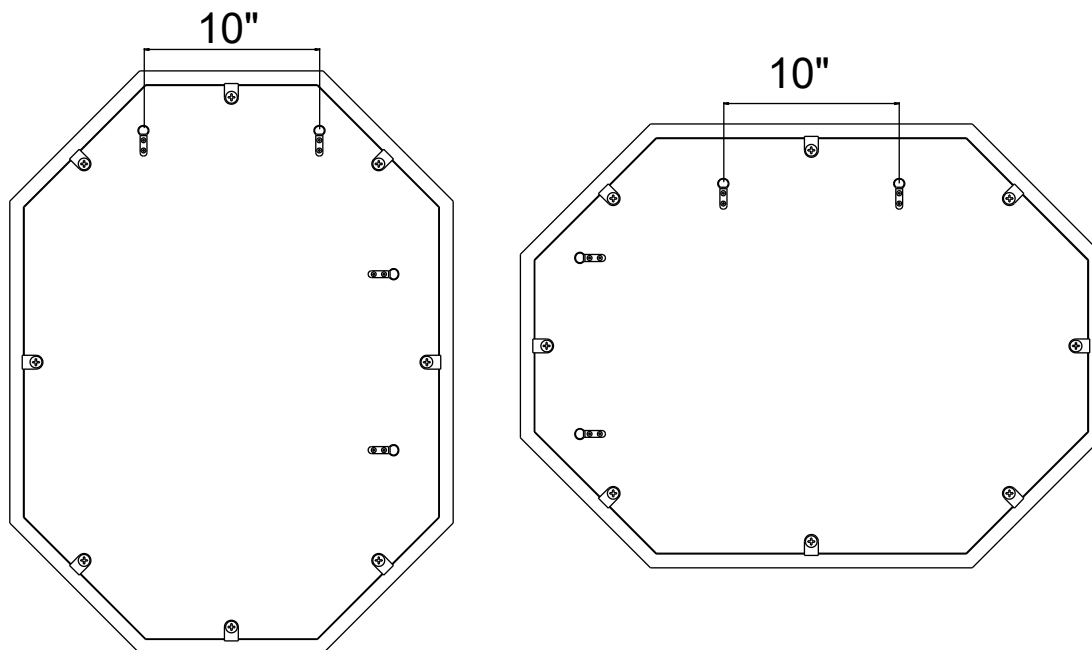
2pcs



This page lists all the contents included in the box. Please take the time to identify the hardware as well as the individual components to this product. As you unpack and prepare for assembly, place the contents on a carpeted or padded area to protect them from damage.

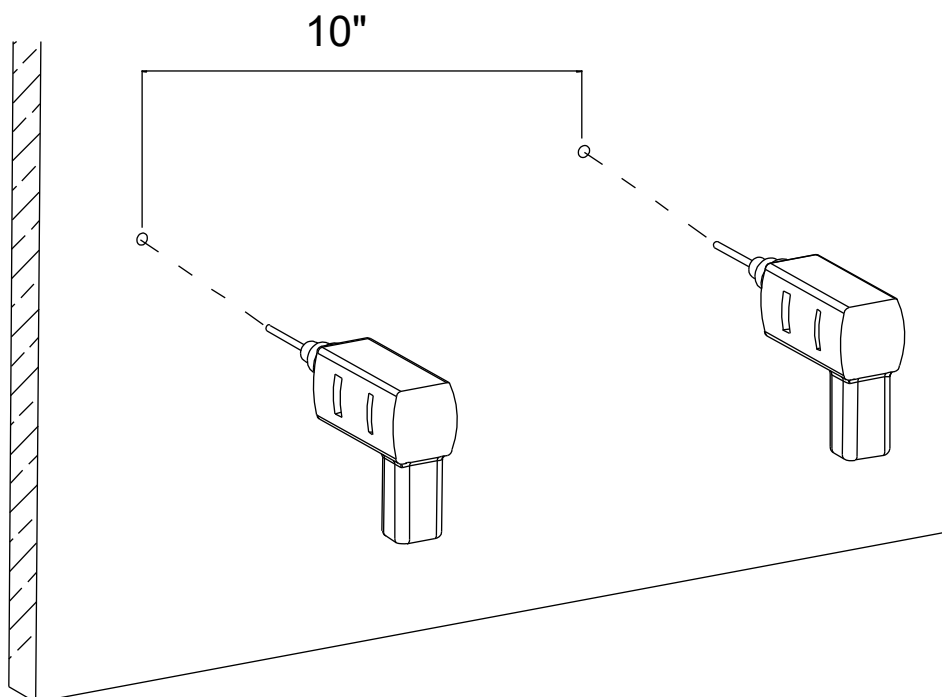
1

Select a location where you want the mirror mounted. Mark on the wall the two locations where the Wall Anchors (B) will be placed.

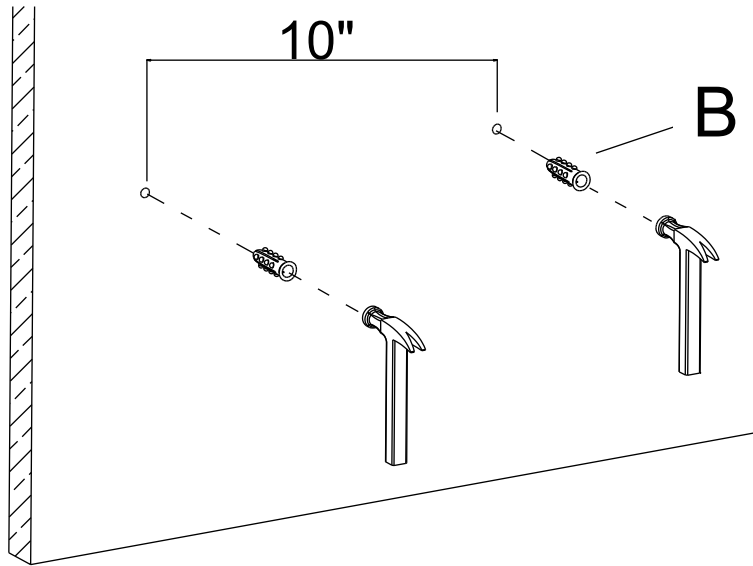


2

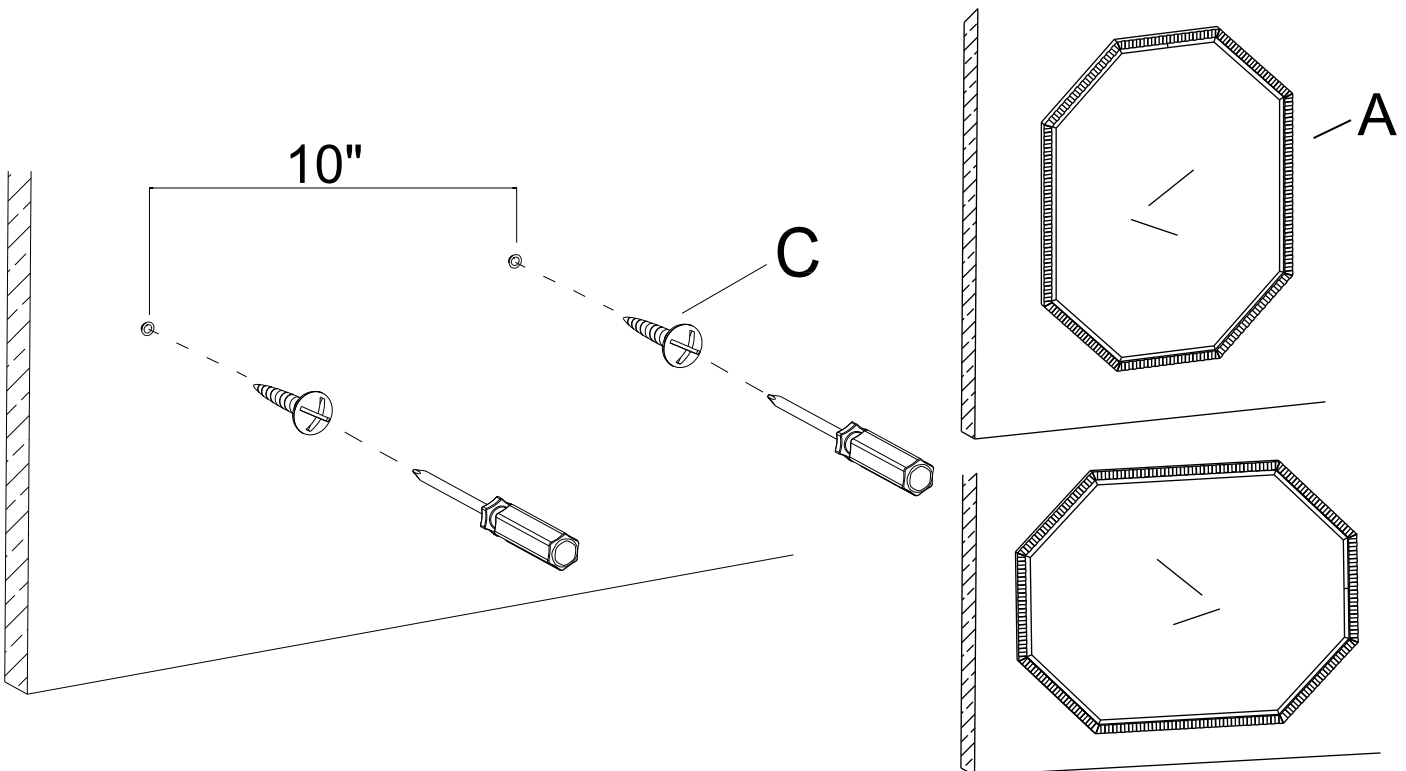
Drill a hole for each anchor slightly and smaller than the size of Screw (C).



- 3** Push the Wall Anchor (B) as far as it will go with your finger. Tap gently with a hammer until the anchors are in.



- 4** Insert the Screw (C) but remain 1/3 screw head outside, then hang the mirror as shown.



Cleaning & Care

Treat surface with care. Surface is resistant to scratches but is not scratch resistant. Clean surfaces with a dry or damp soft cloth. Do not use abrasive cleaners. Hardware may loosen over time. Periodically check that all connections are tight.